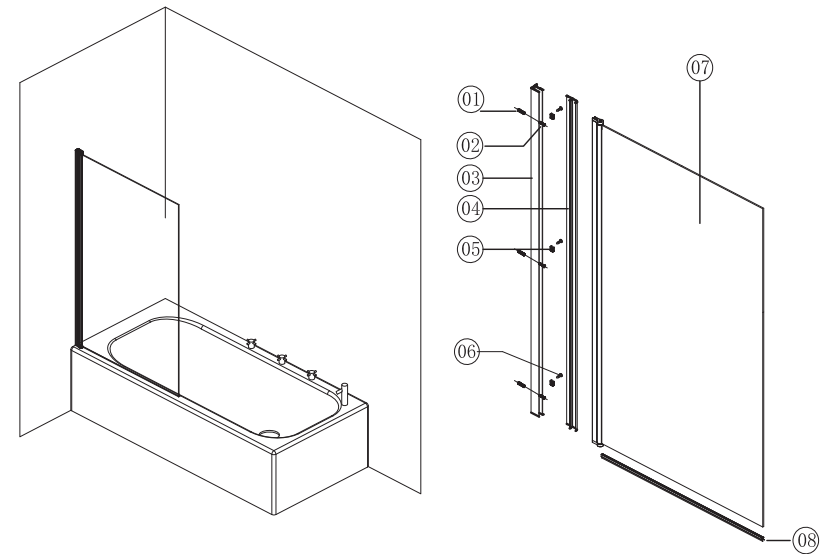
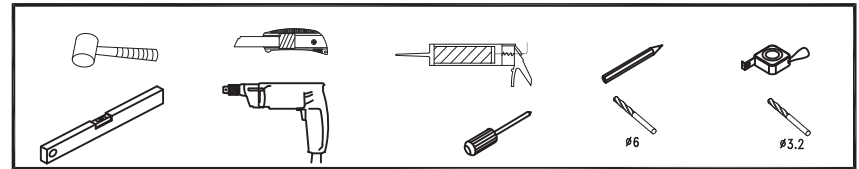





# RBS6A11-Matt black



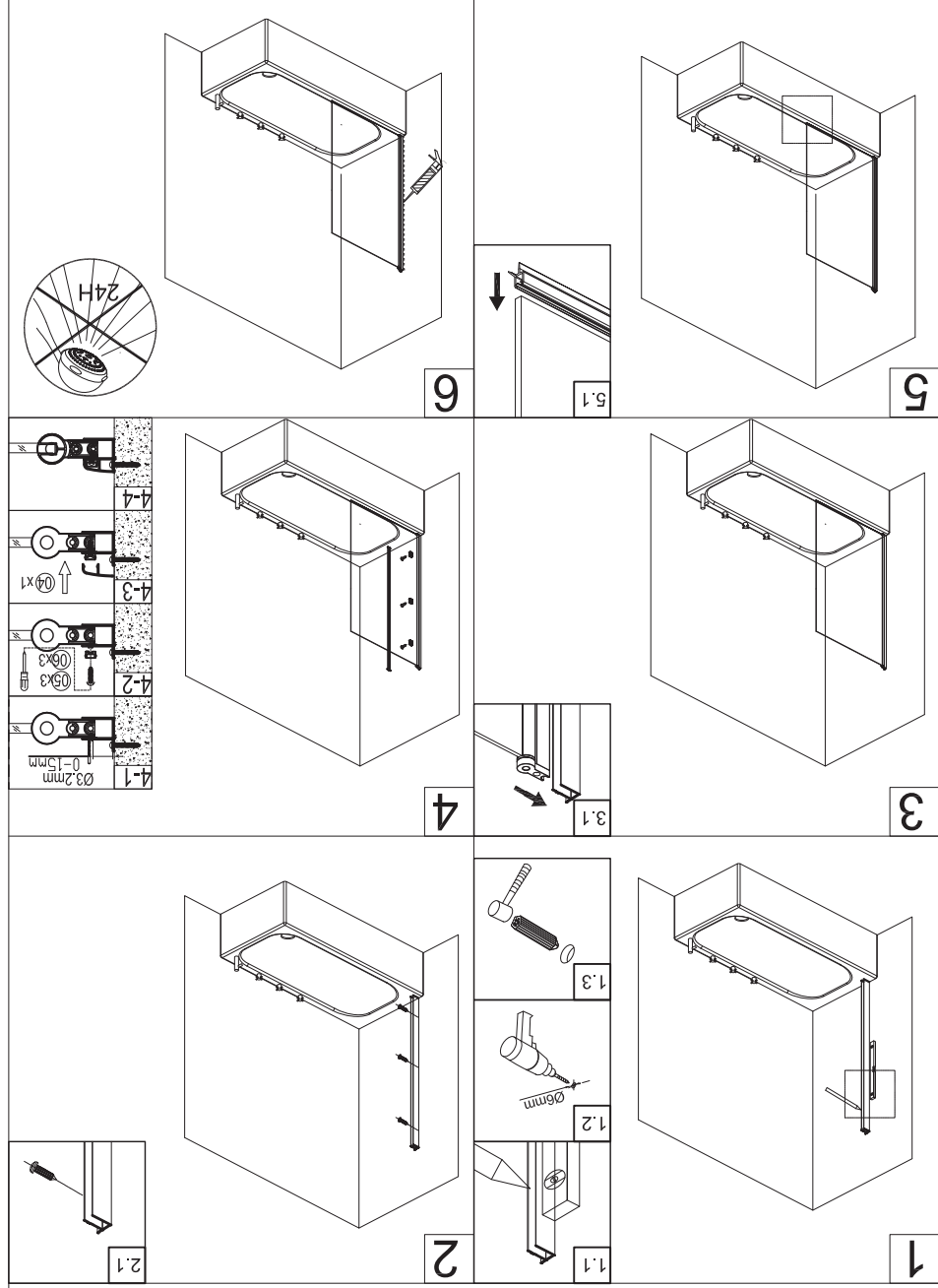
Eastbrook Road, Gloucester G14 3DB  
 Technical Helpline: 01452 317890  
 email: technical@eastbrookco.com



## Parts List

						
3PCS	ST4#30	3PCS	BRBS-51W01	1PCS	BRBS-51W02	1PCS
				RF-6Y01	3PCS	ST4#12
					3PCS	BRBS-51Z01
						1PCS

# RBS6A11-Matt black



Eastbrook Road, Gloucester GL4 3DB  
 Technical Helpline: 01452 317890  
 Email: [technical@eastbrookco.com](mailto:technical@eastbrookco.com)

## Cleaning and Maintenance of Shower Enclosures

Do not clean the shower enclosure with irritant detergents such as alcohol, bleach or other chemical cleaners.

Only clean with mild soapy water or a proprietary cleaner where the label advises it is suitable for the materials the enclosure is constructed from. Test on a small area first.

For treating limescale we would recommend distilled vinegar in a half and half solution with water.

Following installation should you find that there is a notable noise when the glass door moves you may add a small amount of silicon lubricant onto the roller wheels and tracks, hinges or clips.

It is the responsibility of the product owner to maintain the product as recommended above. Also, to check for parts which have broken or become loose to protect against failure of the enclosure.