

AE SHXAR C

ACUTE Shower Range Acute AE SHXAR Thermostatic Surface Mounted Shower Valve with Adjustable Riser Chrome



Features:

- All in one box - pack includes shower valve, hose, hose retainer, adjustable riser rail and a rub-clean anti-limescale single function handset so nothing to buy separately
- Easy installation with adjustable elbow inlets which enable you to use on existing pipework centres between 110mm and 155mm so there's no need for retiling
- Adjustable fixing brackets on riser rail enables existing screw holes to be used
- Rub clean handset - limescale and debris build-up is quickly and easily removed by rubbing a finger or a cloth over the nozzles.
- A hard-wearing, flawless, scratch resistant chrome finish that lasts for years. Salt spray tested to ensure added durability.

Product Certifications:



WRAS Cert. Number: 1905901
WRAS Expiry Date: 31/05/2024



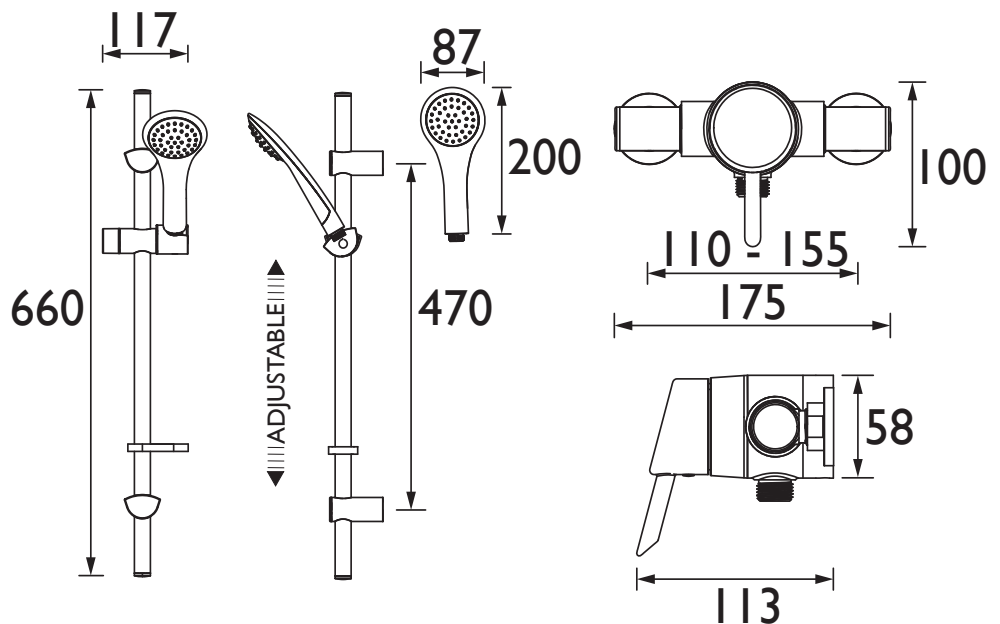
TMV2 Cert. Number: NSF2126/0619
TMV2 Expiry Date: 13/06/2024



Specification

Finish/Colour:	Chrome Plated
Main Construction Material:	Brass
No of Controls:	1
Shower Type:	Thermostatic
Shower Kit:	Adjustable Riser
Valve/Cartridge Type:	Sequential
Maximum Hot Water Supply Temperature °C:	65
Plumbing System Suitability:	Suitable for all plumbing systems, ideally balanced
Minimum Dynamic Pressure (bar):	0.1
Maximum Dynamic Pressure (bar):	5
Maximum Static Pressure (bar):	10
Connection Inlet:	G 1/2" BSP
Connection Outlet:	G 1/2"
Isolation Valve Included:	No
Check Valve Included:	No

Dimensions (measurements in mm)



Flow Rates (l/min)

System Pressure (bar)	0.1	0.5	1	2	3	5
Valve Only/Largest FR (mixed)	8.4	18.9	26.7	37.7	46.2	59.6
Through Handset (mixed)	1.4	3.1	4.3	6.1	7.5	9.7
With Flow Limiters (mixed)	1.4	3.1	4.3	6.1	7.5	9.7

TECHNICAL DATA SHEET



For more products,
visit our website:
<http://www.bristan.com>



BRISTAN