

AR2 THBSM C

ARTISAN Tap Range

Artisan Thermostatic Bath Shower Mixer Chrome



Features:

- Thermostatic control for bath and shower
- Dual control - flow and temperature are controlled separately
- Pre-set maximum temperature at 38°C can be overridden by the user
- Minimum working pressure of 0.5 bar
- Supplied without shower kit

Product Certifications:



WRAS Cert. Number: 2010043
WRAS Expiry Date: 31/10/2025



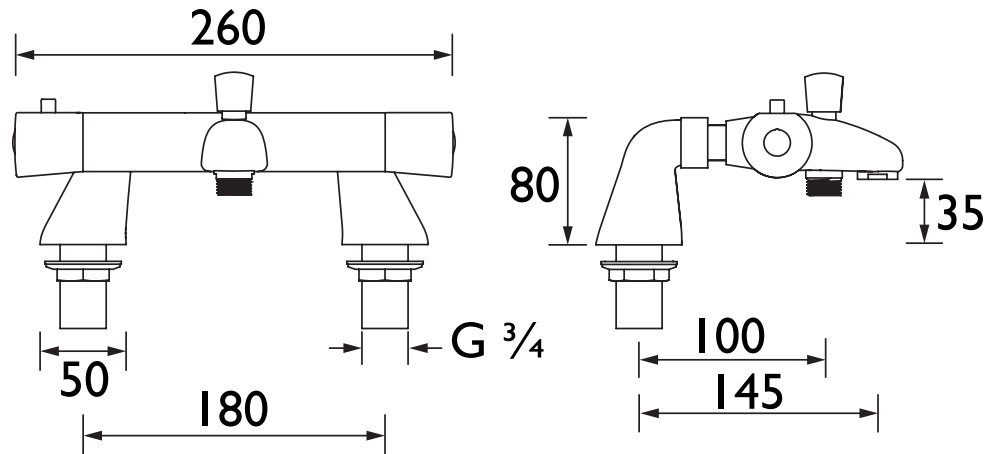
For more products, visit our website:
<http://www.bristan.com>



Specification

Product Type:	Bath Shower Mixer
Main Construction Material:	Brass
Mount Type:	Deck Mounted
Handle Type:	Oval Handles
Connection Inlet:	3/4" BSP
Connection Outlet:	G1/2"
Number of Tap Holes:	2
Valve/Cartridge Type:	1/2" CD Valve & Thermostatic Cartridge
Plumbing System Requirements:	Nominally Balanced Supply Pressures Only
Minimum Dynamic Pressure:	0.5 bar
Maximum Dynamic Pressure:	5.0 Bar
Maximum Hot Water Temperature: °C	80
Maximum Static Pressure: (bar)	10
Flow Type:	Single Flow
Isolation Included:	No

Dimensions (measurements in mm)



Flow Rates (l/min)

System Pressure (bar)	0.5	1	2	3	5
AR2 THBSM C	11.3	16.1	22.7	27.9	36

TECHNICAL DATA SHEET



BRISTAN

D8