

AR3 SHCMT C

ARTISAN Shower Range Artisan Recessed Thermostatic Dual Control Shower Valve with Kit Chrome



Features:

- Fully serviceable from the front
- This shower valve has been designed to fit in any UK wall cavity and therefore only needs a 35mm deep cavity space
- Fitting depth including plasterboard and tiles is 45mm - 75mm
- Supplied with wall outlet
- Adjustable fixing brackets on riser rail enables existing screw holes to be used

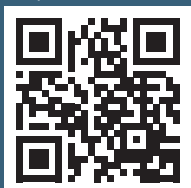
Product Certifications:



WRAS Certificate No: 1904905
WRAS Expiry Date: 30/04/2024



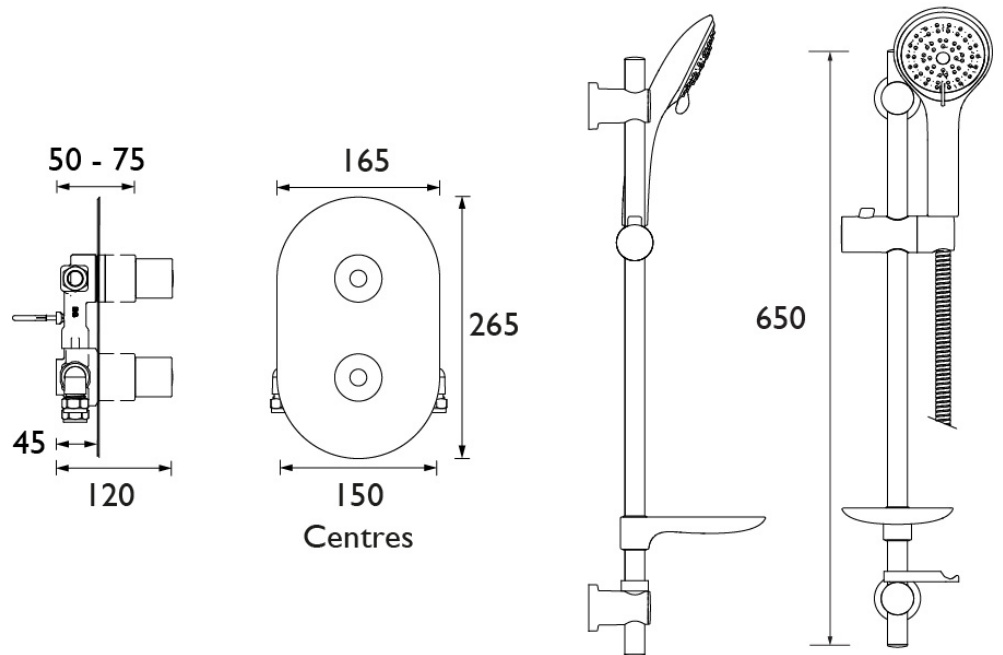
For more products, visit our website:
<http://www.bristan.com>



Specification

Style:	Contemporary
Finish/Colour:	Chrome
Main Construction Material:	Brass
No of Controls:	2
Shower Type:	Recessed Dual Control
Shower Head Type:	Adjustable
Valve/Cartridge Type:	Thermostatic Cartridge & 3/4" Ceramic Disc Valve
Maximum Hot Water Supply Temperature °C:	80
Maximum Static Pressure: (bar)	10
Plumbing System Suitability:	Suitable for all plumbing systems, ideally balanced
Working Pressure Range:	Min: 0.2 bar, Max: 5 bar
Connection Inlet:	15mm Compression
Connection Outlet:	15mm Compression
Isolation Valve Included:	No
Check Valve Included:	Yes

Dimensions (measurements in mm)



Flow Rates (l/min)

System Pressure (bar)	0.2	0.5	1	2	3	5
Through Handset (mixed)	6.3	10	14.1	19.9	24.4	31.5

TECHNICAL DATA SHEET



BRISTAN

D4