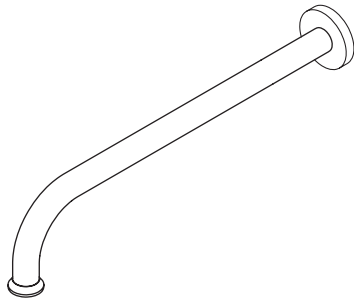

BRISTAN

TAPS & SHOWERS

Installation Instructions and User Guide

Fixed Shower Arm



Models covered: ARM CTRD01 C,
ARM CTRD01 G, ARM CTRD02 C,
ARM CTRD02 G, ARM WARD01 C &
ARM WASQ01 C

Please keep this booklet for future
reference.

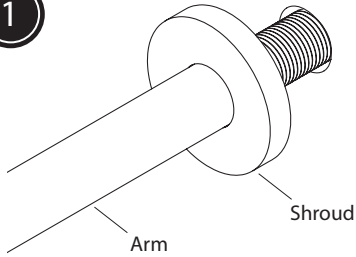
Installer, when you have read these
instructions please ensure you leave

Important Safety Information

- Please read these instructions thoroughly and retain for future use.
- All products manufactured and supplied by Heritage are safe provided they are installed, used correctly and receive regular maintenance in accordance with these instructions.
- If you are in any doubt about your ability to install this product safely you must employ the services of an experienced qualified tradesman.
- Remove all packaging and check there are no missing or damaged parts.
- Before starting any installation please consider the following:
 - Before drilling into walls, check that there are no hidden electrical wires, cables or water supply pipes. This can be checked with the aid of an electronic detector.
- If power tools are used do not forget to:
 - Wear eye protection
 - Unplug equipment after use
- This product must not be modified in any way as this will invalidate the guarantee.

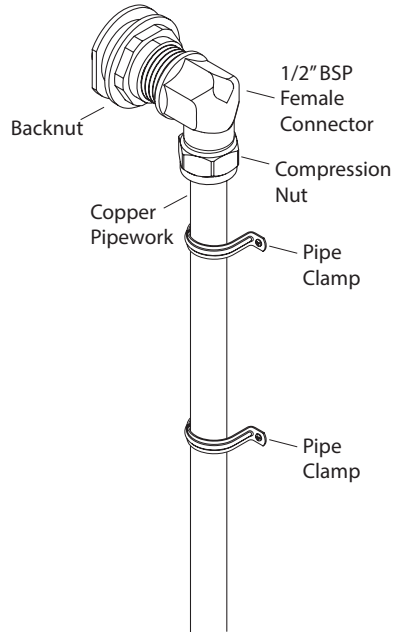
Installation

1



Thread the arm through the stud wall and into a 1/2" BSP female connection.

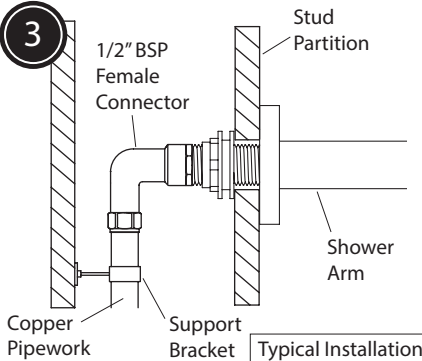
2



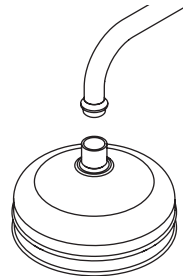
Secure the arm in position by tightening the clamp and backnut. The supply pipework to the shower valve must be rigid and secured in position with the use of pipe clamps.

See step 3 for a typical installation.

3



4



Screw the shower rose (not supplied) onto the shower arm. Ensure the sealing washer is used.

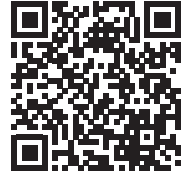
Notes

Please use this space to add any notes you or your installer may have regarding the plumbing system / installation of this product.

Guarantee

At Bristan, we want to make things as easy as possible for our customers. That's why we offer solid guarantees on all our products, effective from the date of purchase, to give you peace of mind.

To start your free guarantee simply scan the QR code and register your product. Alternatively visit www.bristan.com/register.



For any other queries please call our Customer Service on 0330 026 6273 where our expert team of advisors will be able to offer you any help and

Part Number: FI ARM CTRD02

Issue: D4

BRISTAN
TAPS & SHOWERS

TELEPHONE HELPLINE: 0330 026 6273

Bristan Group Limited

UK: Bristan Group

B78 1SG

EU: Masco Group S.à.r.l

14 Rue Strachen

6933 Mensdorf

Luxembourg