

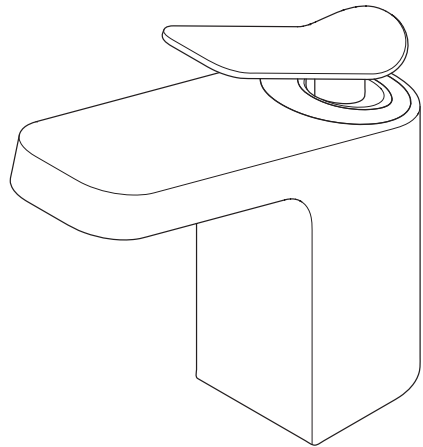
---

# BRISTAN

---

## Installation Instructions and User Guide

Alp Tap Range



### Models Covered:

ALP BAS C, ALP 1HBF C,  
ALP 2HBF C, ALP 4HBSM C,  
ALP WMBAS C, ALP WMBF C

**Please keep this booklet for future  
reference.**

Installer, when you have read these  
instructions please ensure you leave  
them with the user.

# Contents

Thank you for choosing Bristan, the UK's leading taps and showers expert.

We have designed this product with your enjoyment in mind. To ensure that it works to its full potential, it needs to be fitted correctly. These fitting instructions have been created to give you all of the information you need, and if you need any further help, please do not hesitate to contact us.

## Contents

• Important Safety Information	<b>3</b>
• Specification	<b>4</b>
• Prior to Installation	<b>5</b>
• Installation	<b>6-10</b>
• Maintenance	<b>11</b>
• Troubleshooting	<b>12</b>
• Notes	<b>13-15</b>

# Important Safety Information

**Please read these instructions thoroughly and retain for future use.**

All products manufactured and supplied by Bristan are safe provided they are installed, used correctly and receive regular maintenance in accordance with these instructions.

If you are in any doubt about your ability to install this product safely you must employ the services of an experienced qualified plumber.

Remove all packaging and check the fitting for damage before starting installation.

This product needs to be installed in accordance with, and meet the requirements of the Water Supply (Water Fittings) Regulations 1999 and current byelaws.

Before starting any installation please consider the following:

Before drilling into walls, check that there are no hidden electrical wires, cables or water supply pipes. This can be checked with the aid of an electronic detector.

If power tools are used do not forget to:

- Wear eye protection
- Unplug equipment after use

## **Important:**



Remember to turn off the mains water supply before connecting to any existing pipe work. Fitting isolating valves to the inlet feeds is recommended for ease of maintenance.

## **Warning:**



Before installing this product it is essential that you thoroughly flush through the pipework in order to remove any remaining swarf, solder, etc. Failure to carry out this procedure could cause problems or damage to the workings of the tap.

Take care when handling the 'flexible connecting pipes', do not bend, twist or crush them. Only tighten the pipes by hand.

Do not block the flow of water from the handset, by placing it (smothering it) on your hand or any other part of your body or foreign object.

Do not crush or kink the shower hose, this could damage the hose and cause leaks. This product must not be modified in any way as this will invalidate the guarantee.

## **Important:**



Rear access required for ALP WMBAS C and ALP WMBF C for future maintenance/servicing purposes

# Specification

Product Code	Working Pressure (bar)		Inlet Connection Size	Minimum distance from cold water tank to outlet (metres)
	Min	Max		
ALP BAS C	0.3	5.0	M10 15mm Compression Flexible Tails	3
ALP 1HBF C	0.3	5.0	M16 22mm Compression Flexible Tails	3
ALP 4HBSM C	1.0	5.0	M16 22mm Compression Flexible Tails	10
ALP WMBAS C	0.2	5.0	15mm Compression Threaded Tail	2
ALP WMBF C	0.3	5.0	15mm Compression Threaded Tail	3
ALP 2HBF C	0.4	5.0	M16 22mm Compression Flexible Tails	4

**Maximum Static Pressure:** 10.0 bar

#### System Requirements:

Gravity fed hot & cold (Equal pressures)

Gravity fed hot & cold (Differential pressure, maximum ratio 5:1)

Unvented systems

Instantaneous water heater (Combination boiler)

#### Inlet Water Temperatures:

**Cold Water Supply: Min 5°C, Max 25°C**

**Hot Water Supply: 65°C**

Designed to comply with BS EN 200 for combination taps to be used within systems designed to BS 6700.

BS 6700 recommends the temperature of stored water should never exceed 65°C. A stored water temperature of 60°C is considered sufficient to meet all normal requirements and will minimise the build up of lime scale in hard water areas.

This product has been tested to the Water Regulations Advisory Scheme (WRAS) and satisfied the requirements of the Water Supply (Water Fittings) Regulations 1999 and current bylaws. For full Installation Requirements & Notes (IRN) please visit [www.wras.co.uk/directory](http://www.wras.co.uk/directory)

If installing this product on a low pressure (tank fed) system please see specifications table on page 5 to determine the minimum distance required from underside of the cold water tank to the outlet.

These taps and mixers should be installed in compliance with the Water Regulations. Where the supplies are unbalanced, i.e. Hot water from cylinder tank / cold from the mains, approved check valves must be fitted in the supply pipes.

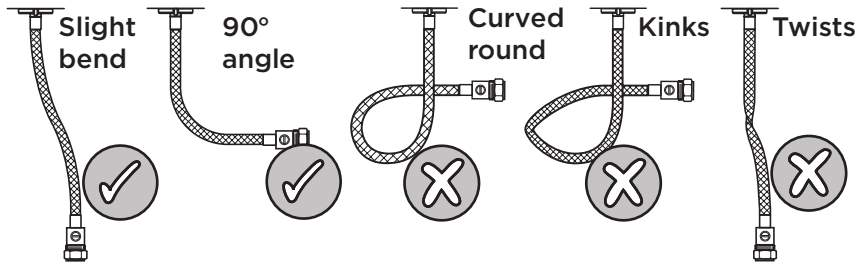
For further details contact your Local Water Authority.

# Prior to Installation

## Flexible Connecting Pipes

Care must be taken when connecting the flexible connection pipes to the household pipework to ensure they do not bend sharply and kink or twist.

See below for recommended ways to fit the flexible connecting pipes.



**Important:** Failure to follow these guidelines may result in poor performance and damage to the flexible connecting pipes.



**Important:** Full access must be made available on installation for future maintenance/ servicing purposes.

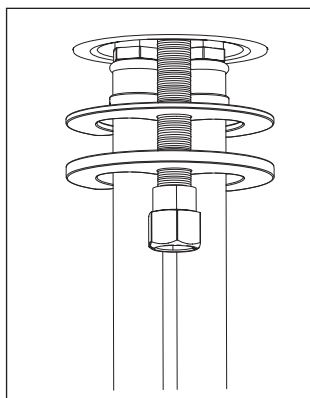
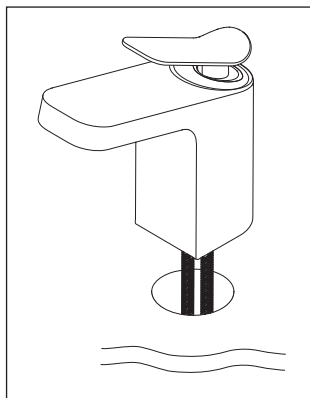
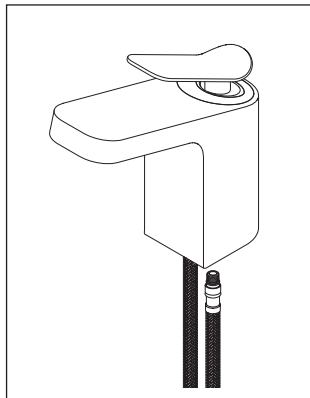


**Important:** Rear access required for ALP WMBAS C and ALP WMBF C for future maintenance/servicing purposes

# Installation

## Basin Mixer / 1 Hole Bath Filler (cont.)

1. Screw the flexi tails into the bottom of the mixer body / bath filler by **hand only (DO NOT OVERTIGHTEN)**.
2. Feed the flexi tails through the hole in the basin/bath, ensuring the washer is fitted between the body and the basin/bath to create a water tight seal.
3. Screw the fixing rod into the bottom of the tap. Slide the 'C' shaped rubber washer and 'C' shaped metal washer onto the fixing rod up to the underside of the basin/bath.
3. Screw the fixing rod into the bottom of the tap. Slide the 'C' shaped rubber washer and 'C' shaped metal washer onto the fixing rod up to the underside of the basin/bath.
4. To secure the mixer/bath filler in place tighten the fixing nut onto the fixing rod until it is fully tightened against the 'C' shaped metal washer. The fixing nut can be tightened with a suitable spanner.
5. Connect the flexi tails to the hot and cold water supplies.
6. Turn on both water supplies, fully open both valves, letting the water run for a few minutes to flush out the system.
7. Fit the clicker waste (basin mixer only) ensuring the rubber washer is fitted between the basin and the waste. Place the other rubber washer under the basin and secure by tightening the backnut, in order to fill the basin, the button in the middle of the waste needs to be pressed down. To release the water, press the button again.
8. Check all joints and connections for any leaks.



# Installation

## Bath Shower Mixer

1. Fit the spout and the side body to the bath ensuring that the washers are fitted between the bodies and the fixing surface to create a water tight seal.

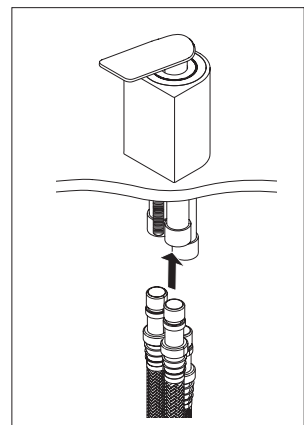
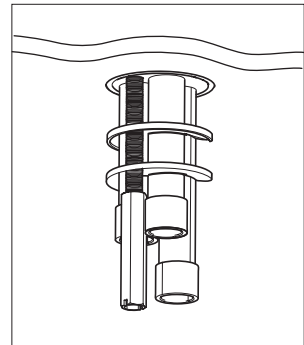
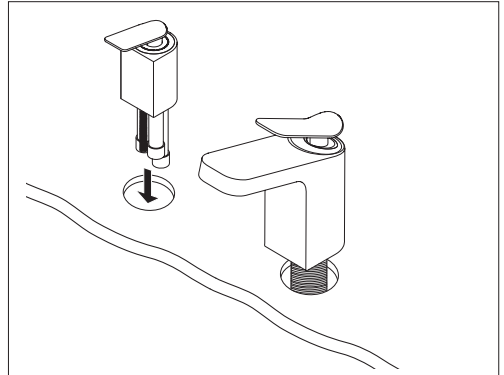
2. Secure the spout to the bath using the washer and metal backnut. Tighten the backnut onto the threaded tail. A suitable spanner may be required to fully tighten the backnut.

3. Screw the fixing rod into the bottom of the side body. Slide the 'C' shaped rubber washer and 'C' shaped metal washer onto the fixing rod up to the underside of the bath.

4. To secure the side body in place tighten the fixing nut onto the fixing rod until it is fully tightened against the 'C' shaped metal washer. The fixing nut can be tightened with a suitable spanner.

5. Fit the diverter to the bath. Unscrew the diverter knob, remove the shroud by loosening the grub screw and remove the locking nut. Push the diverter body up through the underside of the bath and screw the locking nut onto the thread. Tighten the backnut underneath to secure the diverter body in position. Replace the shroud, tightening the grub screw and screw the diverter knob back on.

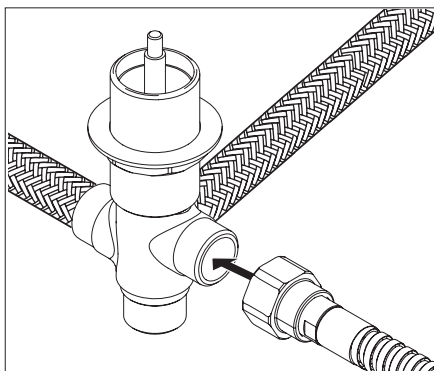
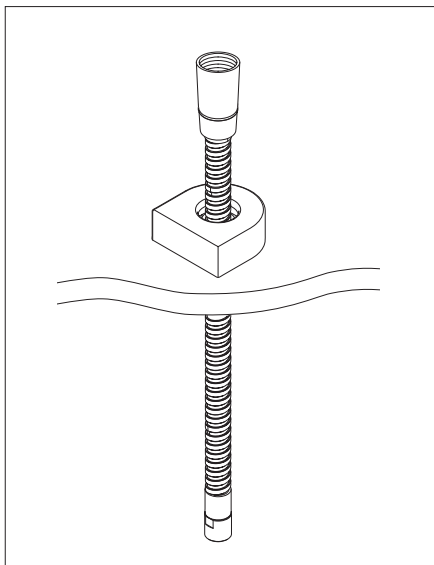
6. Screw the flexi tails into the bottom of the side body by **hand only (DO NOT OVERTIGHTEN)**, hot on the left, cold on the right when viewed from the front and connect to the water supplies.



# Installation

## Bath Shower Mixer Cont.

7. Connect the side body to the diverter using the flexi tail supplied.
8. Connect the spout to the diverter using the flexi tail supplied.
9. Fit the shower head holder to the bath. Remove the backnut and the washers and feed the threaded tail through the hole in the bath. Secure in place by screwing the backnut onto the threaded tail ensuring the washers are fitted.
10. Feed the shower hose through the shower head holder and screw the connecting nut onto the bottom of the hose. Connect the hose to the diverter body.
11. Fit the shower head to the hose ensuring the small sealing washer is fitted.
12. Turn on both water supplies, operate the handle in both directions, letting the water flow for a few minutes to flush through the system.
13. Check all joints and connections for leaks.

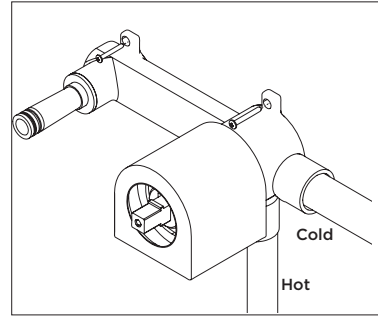




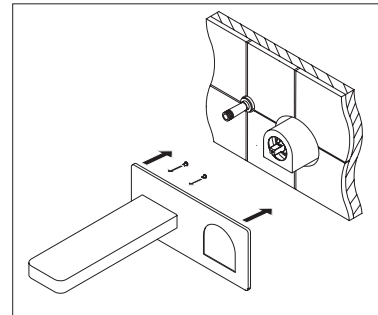
# Installation

## Wall Mounted Basin Mixer and Bath Filler

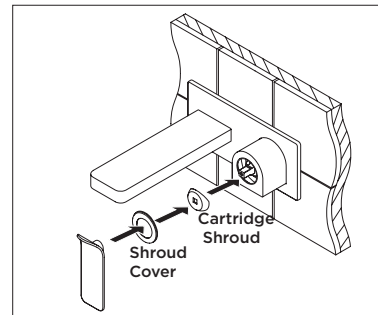
1. Remove the spout from the basin mixer / bath filler by loosening the grub screw.
2. Decide on the final position of the basin mixer/ bath filler. Install suitable batons into the wall cavity if required.
3. Secure the mixer body using the screws and wall plugs supplied.
4. Plumb the hot and cold water supply pipes to the required position and flush through to remove any debris. Attach pipework to the hot and cold inlets (hot on the bottom and cold on the right when viewed from the front) ensuring the olive is fitted to the copper pipe work. Tighten the compression nut to secure pipework and create a water tight seal.  
**Note:** Before finishing the wall surface turn on the water supplies to check for any leaking connections.



5. Finish the wall surface.  
**Note:** it is important sufficient thread is left exposed to allow the spout to connect.



6. Attach the spout to the concealing plate using the screws supplied.
7. Push the concealing plate / spout over the valve shroud ensuring the O-rings on the spout connecting tube have located inside the spout. Tighten the grub screw on the under side of the spout to secure in position.



8. Place the cartridge shroud over the cartridge and push the shroud cover onto the cartridge shroud. Tighten the grub screw.

9. Push the handle onto the cartridge and tighten the grub screw.
10. Operate the basin mixer / bath filler to ensure it is functioning correctly.



**IMPORTANT:** Rear access required for ALP WMBAS C and ALP WMBF C for future maintenance/servicing purposes

# Installation

## 2 Hole Bath Filler

1. Fit the spout and the side body to the bath ensuring that the washers are fitted between the bodies and the fixing surface to create a water tight seal.

2. Secure the spout to the bath using the washer and metal backnut. Tighten the backnut onto the threaded tail. A suitable spanner may be required to fully tighten the backnut.

3. Screw the fixing rod into the bottom of the side body. Slide the 'C' shaped rubber washer and 'C' shaped metal washer onto the fixing rod up to the underside of the bath.

4. To secure the side body in place tighten the fixing nut onto the fixing rod until it is fully tightened against the 'C' shaped metal washer. The fixing nut can be tightened with a suitable spanner.

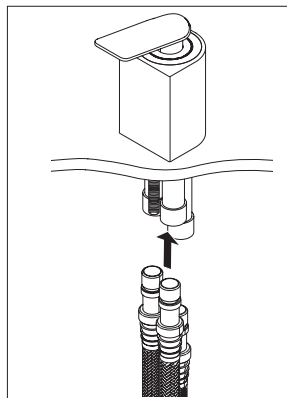
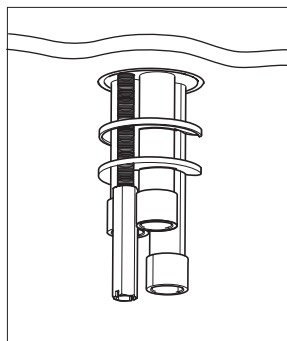
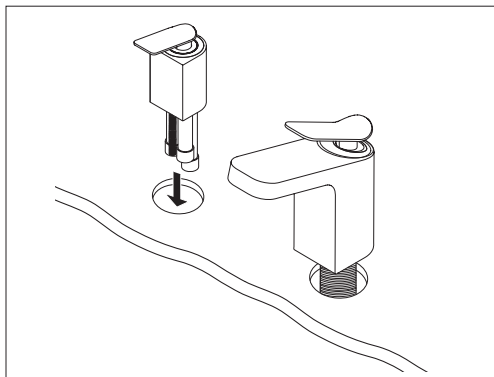
5. Screw the flexi tails into the bottom of the side body by **hand only (DO NOT OVERTIGHTEN)**.

6. Connect the flexi tails to the side body (hot on the left, cold on the right when viewed from the front) and connect to the water supplies.

7. Connect the spout to the side body by using flexi tails supplied.

8. Turn on both water supplies, operate the handle in both directions, letting the water flow for a few minutes to flush through the system.

9. Check all joints and connections for leaks.



# Maintenance

## General Cleaning

Your product has a high quality finish and should be treated with care to preserve the visible surfaces. All surfaces will wear if not cleaned correctly, the only safe way to clean your mixer is to wipe with a soft damp cloth. Stains can be removed using washing up liquid. All bath cleaning powders and liquids will damage the surface of your fitting, even the non-scratch cleaners.

**Note:** Never use abrasive detergents or disinfectants or those containing alcohol, hydrochloric acid or phosphoric acid.

## Cleaning the Cartridge

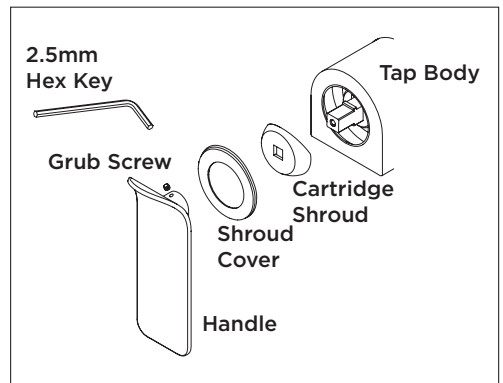
Before carrying out any maintenance, turn off the both water supplies or close any isolating valves.

Loosen the grub screw using a 2.5mm hexagonal key and remove the handle. Undo the grub screw at the back of the tap body, push the hex key upwards through the screw hole to remove the shroud cover and cartridge shroud.

Place the cartridge tool and use a suitable spanner to undo the cartridge. Remove the cartridge.

Clean the cartridge using a suitable solution and check O-Rings for damage. If necessary replace the cartridge using parts supplied by Bristan only.

Reverse the steps to replace the cartridge.



**Note:** The specialised cartridge tool is available as a spare. Please contact Bristan Customer Services or visit [www.bristan.com](http://www.bristan.com) to order.

# Troubleshooting

Symptom	Cause	Remedy
No flow or low flow rate	Partially closed isolation valve.	Open isolation valve.
	Instantaneous water heater cycles on and off as flow rate or pressure is too low.	Increase water flow rate or pressure through system to meet required minimum working pressure of tap.
	Head of water is below the minimum distance required.	Refer to the 'Specification' section for minimum distance required.
	Hot or cold water being drawn off elsewhere causing pressure changes or instantaneous boiler temperature changes.	Do not use other water outlets when using the taps.
	Airlock or partial blockage in the supply pipework.	Flush through pipework to ensure removal of debris and any airlocks.
Water dripping from taps	This is normal for a short time after using the taps.	This is caused by residual water tension, the build up of water in the tap body.
	If water continues to drip, possible build up of debris / limescale in the cartridge.	Refer to 'Maintenance' section to clean / replace the cartridge.
Taps do not turn on	Closed isolation valve.	Open isolation valve.
	Water supplies to the tap turned off.	Turn on both water supplies to the tap.

# Notes

---

# Notes

# Notes

---

**Issue: D6**

**Part Number: ALP TAPS**

# **BRISTAN**

TAPS & SHOWERS

**Bristan Group Ltd.**

Birch Coppice Business Park  
Dordon  
Tamworth  
Staffordshire  
B78 1SG

**Web:** [www.bristan.com](http://www.bristan.com)

**Email:** [enquire@bristan.com](mailto:enquire@bristan.com)

**A Masco Company**

At Bristan, we want to make things as easy as possible for our customers. That's why we offer solid guarantees on all our products, effective from the date of purchase, to give you peace of mind. To start your free guarantee simply scan the QR code and register your product. Alternatively visit [www.bristan.com/register](http://www.bristan.com/register).

For any other queries, please call our Customer Service on 0330 026 6273 where our expert team of advisors will be able to offer you any help and advice. For full guarantee terms and conditions visit [www.bristan.com/guarantees](http://www.bristan.com/guarantees).



*We Know & We Care*