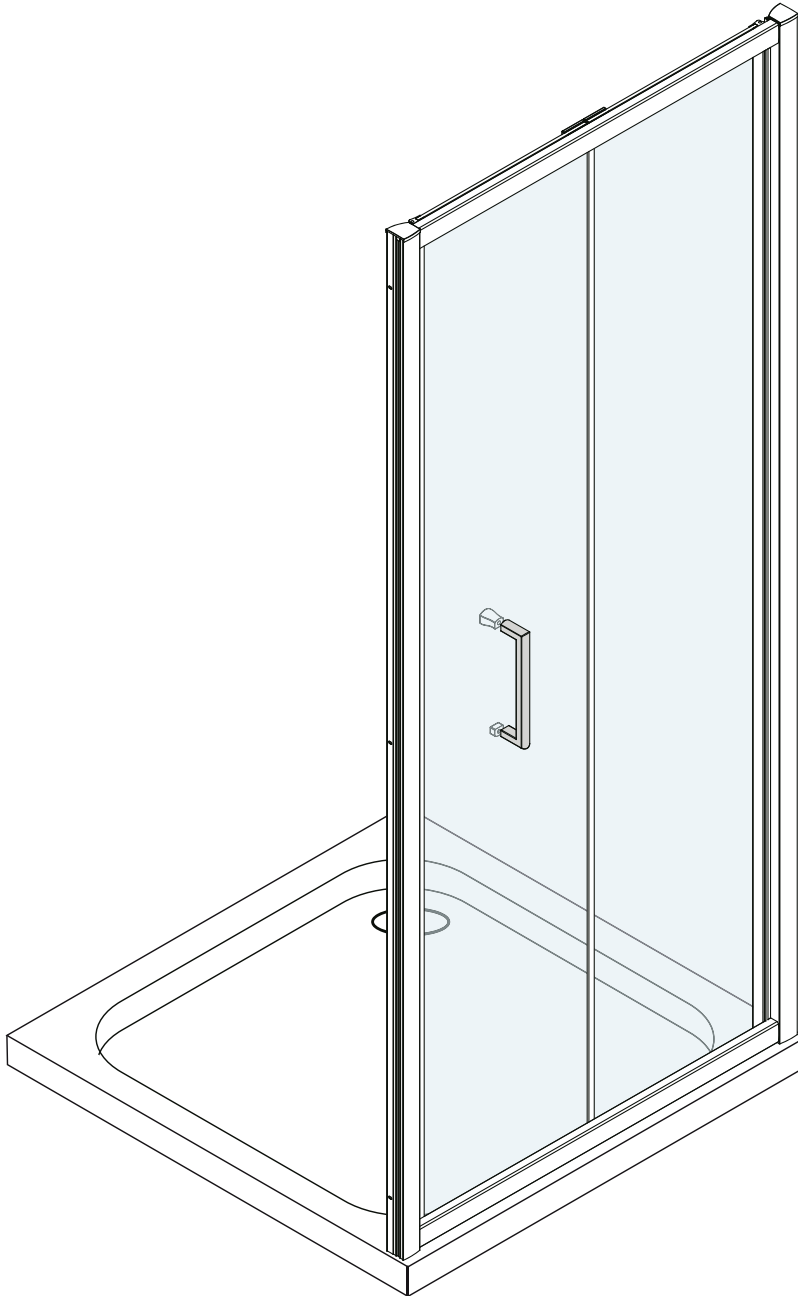


Bifold Door

ADJ



INSTALLATION INSTRUCTIONS

8MO 11

IN028EABFE5

IMPORTANT:
**Please read the complete instructions
before commencing fitting.**

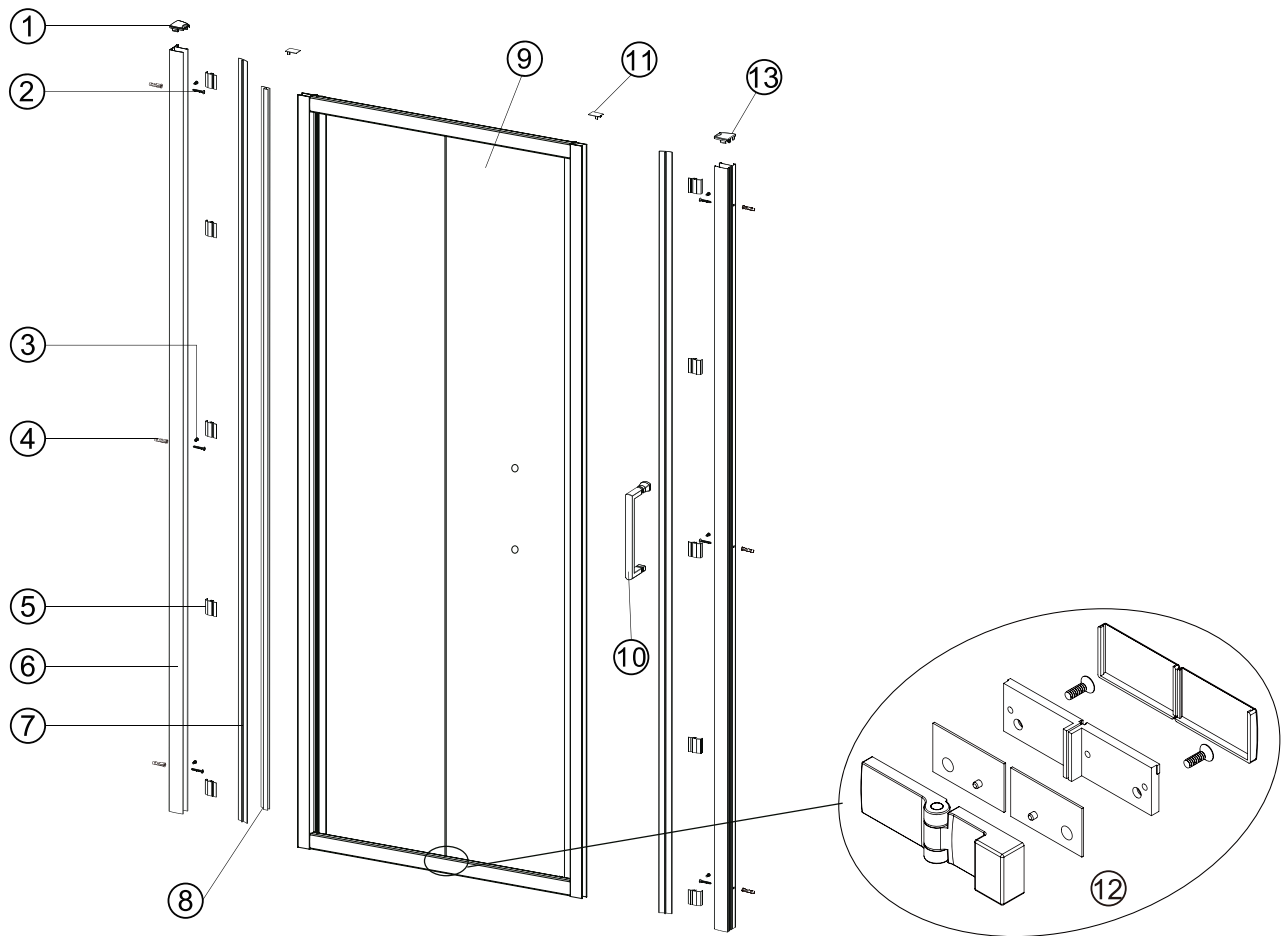
Make sure the tray is 100% level in all directions.
Do Not attempt to install the product unless you
can tick all 4 boxes satisfactorily.

- **Check that you have the tools required**
- **Check the installation site is compatible with
the sizes of door supplied**
- **Check all the enclosure components are present**
- **Check the installation kit is complete**

The wall plugs supplied with the installation kit are
for use in solid walls. Hollow or 'stud partition'
walls will require alternative fixings. Please consult
a hardware supplier for the correct type.
It may also be necessary to consult your tiling
supplier about the correct method for drilling your
tiles.

**ATTENTION: TAKE EXTREME CARE WHEN
HANDLING GLASS, WEAR PROTECTIVE EYEWEAR
AND CLOTHING. DO NOT LEAVE THE GLASS ON
HARD SURFACES AND AVOID CONTACT BETWEEN
THE GLASS EDGES AND HARD SURFACES OR
IMPACTS DURING THE INSTALLATION.**

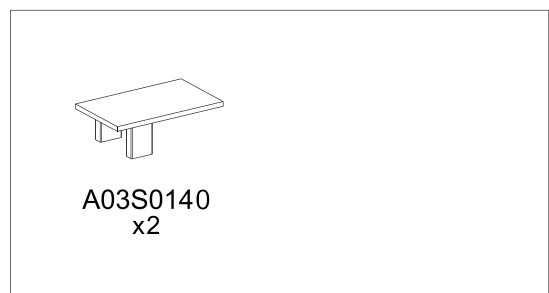
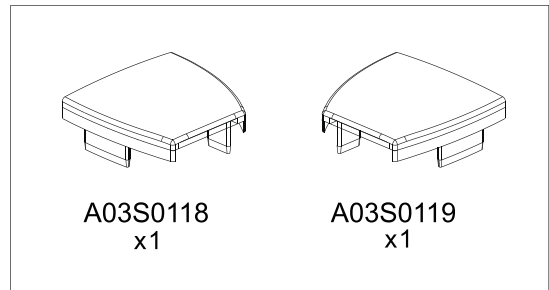
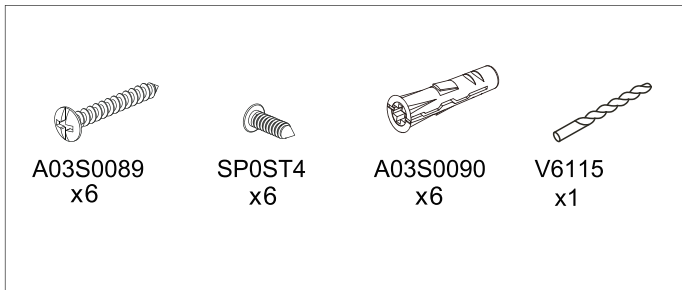
COMPONENTS AND BOX CONTENTS



No.	Description	QTY	Part No.	No.	Description	QTY	Part No.
1	Cover cap for wall profile L	1	A03S0118	9	Glass Panel	1	B
2	Screw ST4x30	6	A03S0089	10	Handle	1	A
3	Flat head screw ST4x10	6	SP0ST4	11	Upright profile cover cap	2	A03S0140
4	Ø6mm wall plug	6	A03S0090	12	Complete hinge set	2	A03S0092
5	Coverstrip clip	10	A03S0116	13	Cover cap for wall profile R	1	A03S0119
6	Wall profile +Plastic part for cover strip	2	A03S0112				
7	Cover aluminium	2	A03S0115				
8	Bifold door middlele upright seal	1	A03S0071				

Note:Further part details for fixing kit available on page 2

FIXING KIT COMPONENTS, TOOLS REQUIRED



Handle as supplied in carton may be different than shown

Tools Required

- 6mm masonry drill bit
- Spanner
- Power drill
- Quality Silicone
- Pencil
- Tape Measure
- #2 **Philips** Head screw driver
- Spirit level with horizontal and vertical level indicators

IMPORTANT-Installation site

1. Ensure the top surface of the shower tray on which the enclosure will be installed is level in every direction.
2. The tiles or other wall finishing should be effectively sealed at the tray edges.
3. Tiles should extend at least to the corners of the tray and a minimum of 2.0 metres from the top of the tray.