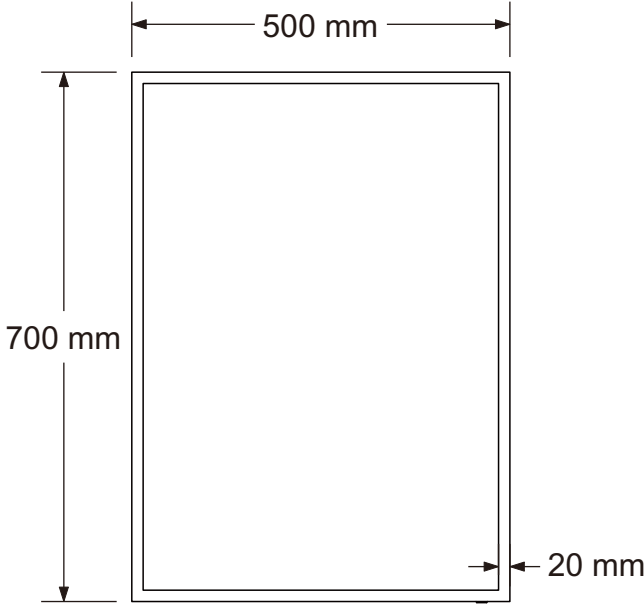


LED CABINET RANGE

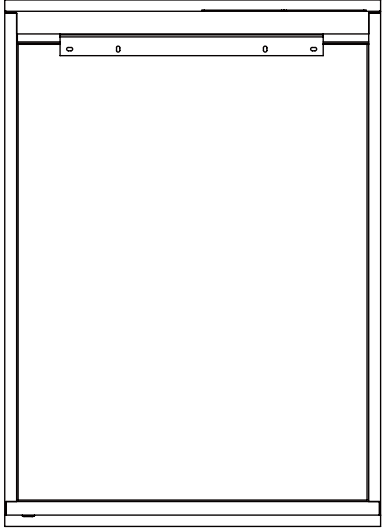


INSTRUCTION MANUAL

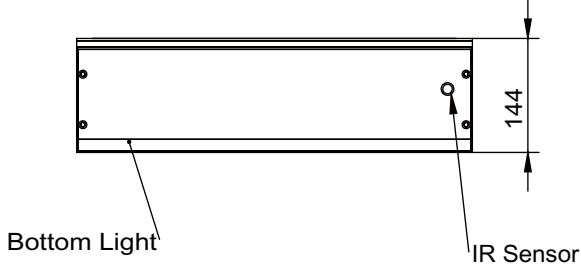
Technical Details



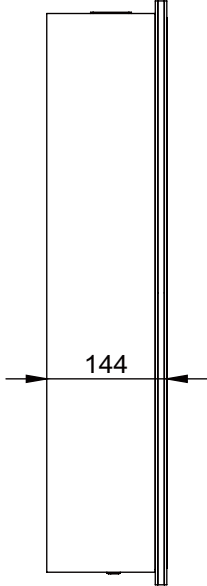
Front View



Back View



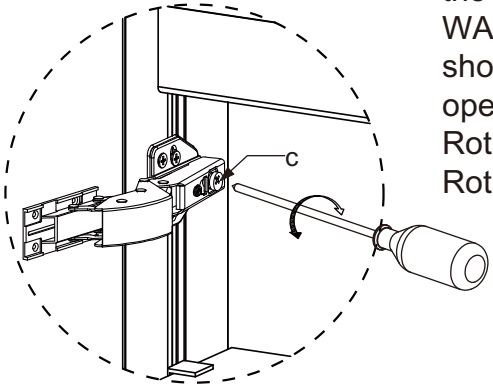
Bottom View



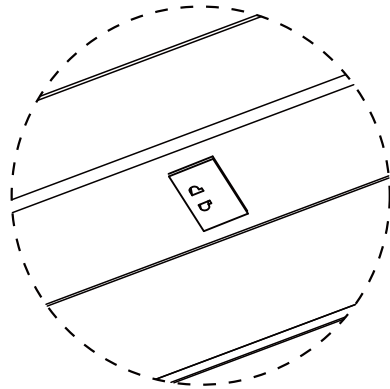
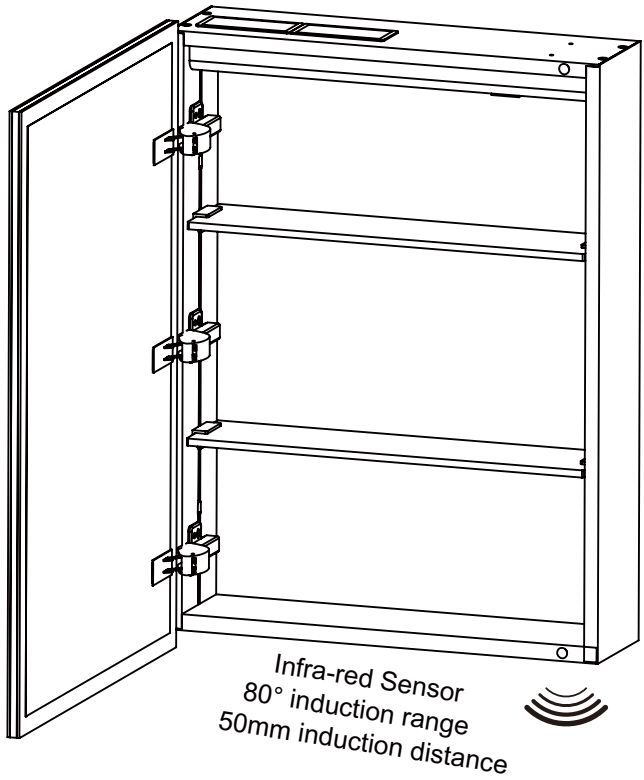
Side View

CABINET001

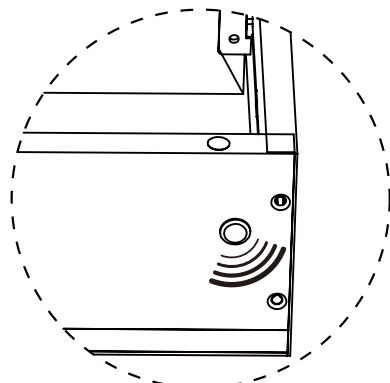
Adjustable Hinge



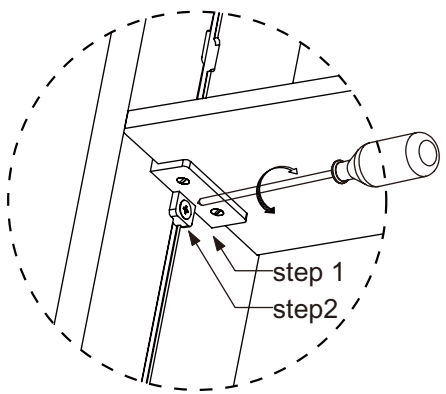
If the cabinet door is not aligned, it can be adjusted using the screw (c) hidden behind the removable cover on hinge.
WARNING: The distance between the door and the cabinet should not be too small. Otherwise the door can not be opened and may lead to the door rupture.
Rotate **CW**: Distance between door and cabinet reduces
Rotate **CCW**: Distance between door and cabinet increases.



Shaver Socket



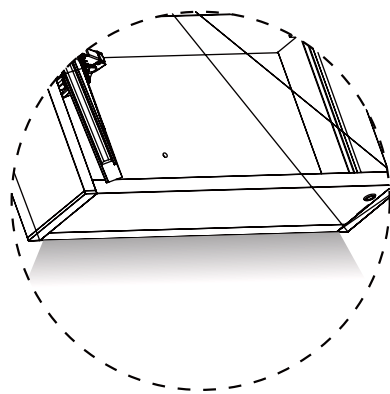
Infra-red Sensor



Adjustable Glass Shelving Panel

Step 1 : Loosen the screw to allow adjustment.
Step 2 : Slide the shelf to desired height re-tighten screw.

Safety Warning:
Do not disassemble the door unless necessary.



Bottom Light

Technical Details

Heated Demister Pad

- This mirror comes with a demister pad, which heats the surface of the mirror above room temperature removing the mist on surface .

IR Sensor On/Off Switch

- Turn the Led Light ON/OFF

To turn on or off, wave hand under the sensor switch located at the bottom of the mirror marked by hand sensor sticker. The Heated Pad is only on when the Mirror is illuminated.

- Change the Colour of Led Light

This mirror comes with colour changing led strips (cool white to warm white). Turn the lights off, and then hold hand in front of the sensor switch until desired colour is obtained. The colour temperature is then set until changed again.

- Change the Brightness of Led Light

This mirror comes with brightness changing led strips. Turn the lights on, and then hold hand in front of the sensor switch until desired brightness is obtained. The brightness is then set until changed again.

Pairing Device To the Cabinet Bluetooth Speakers

- To activate the Bluetooth, turn on cabinet by the sensor located on the bottom of the cabinet.
 - Activate the Bluetooth on your device*. Refer to the device's instructions for details.
 - Search for "BL12-A3" and select 'Pair' on your device. The cabinet will give out a tone to confirm successful connection.
 - You can now play audio through the Bluetooth cabinet.
 - When the cabinet is turned off, the connection to the Bluetooth will be lost. When the cabinet is turned on again it will automatically reconnect to the last connected device if it is still within range.
 - Refer to your device manual for operating controls.
- *Only compatible Smart Phones & Bluetooth Devices.

Installation Information

- We recommend that you receive the product before commencing with installation as all sizes and measurements are approximate. We try to ensure all measurements are as accurate as possible. In the interest of continued product development, we reserve the right to alter specifications as necessary. E & OE.

Aftercare Service

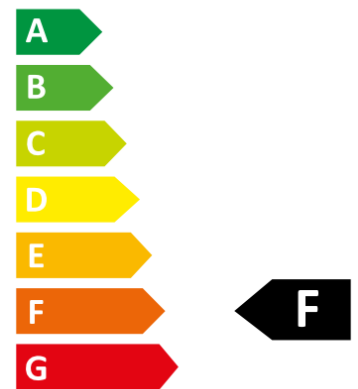
- In the unlikely event that this product should fail please contact our customer service.

General information

- This product conforms to U.K safety standards and must be installed in accordance with current IEE Wiring regulations and Building regulations. This product must be earthed, and should not be connected to an unearthed circuit. If there are only two wires coming from your power supply it means that this fitting can be wired to an unearthed circuit



Harrison Bathrooms
CABINET001

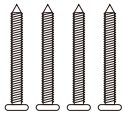


18
kWh/1000h

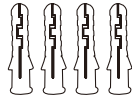


2021 No. 1095

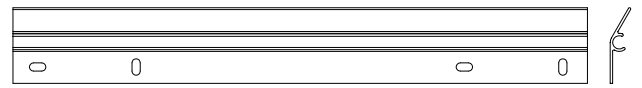
Packing List



Screw
M4*35mm

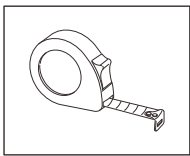


Expansion plug
φ6*30mm

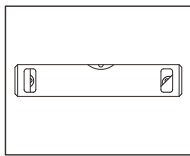


Aluminum alloy bar

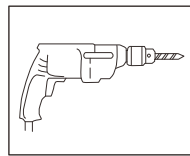
Required Tools



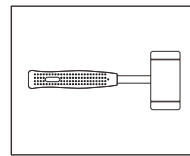
Flexible rule



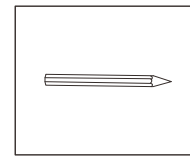
Spirit level



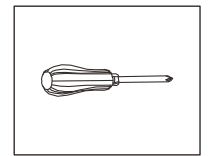
Drill



Hammer



Pencil

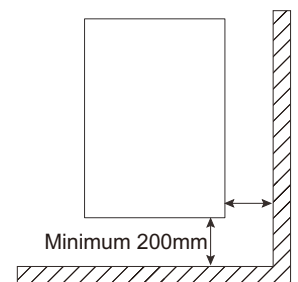


Screwdriver



Please Note

Products with an IR Sensor must be installed with a minimum distance of 250mm between the sensor and any solid object or reflective surface. Avoid directing sensor towards a reflective surface as this will may affect its function.



1. Before installing the product, please carefully read the instructions and operate accordingly.
2. Before installing, please turn off the main power switch and ensure that it won't turn on.
3. The installation of this product requires that a competent person with electrical knowledge installs this product.
4. This mirror cabinet is heavy, do not lift or install with single person in order to avoid injury.
5. Before installing, please check whether the product is broken, to avoid injury caused by damaged glass.
6. Do not clean the product surface with acid and alkaline cleaning agent; please use a damp cloth.
7. In case of functional failure of the product, users are not allowed to disassemble and repair without authorization, otherwise, our company will not be responsible for any safety accidents.

Installation Setup

1. Fixing the bar

- ① Open the product packaging, and check whether the product has any cosmetic or functional damage; if yes, please return it to the dealer.
- ② After selecting the location of the mirror cabinet, check whether the wall is solid, measure the distance of the holes (a1,a2,a3) in the aluminum alloy bar with a tape measure and mark the wall with a level and pencil (Fig. 1).
- ③ Drill holes in the marked positions with a suitable drill bit.

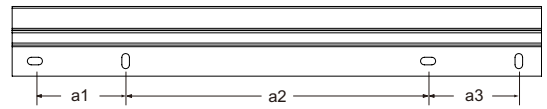


Fig.1

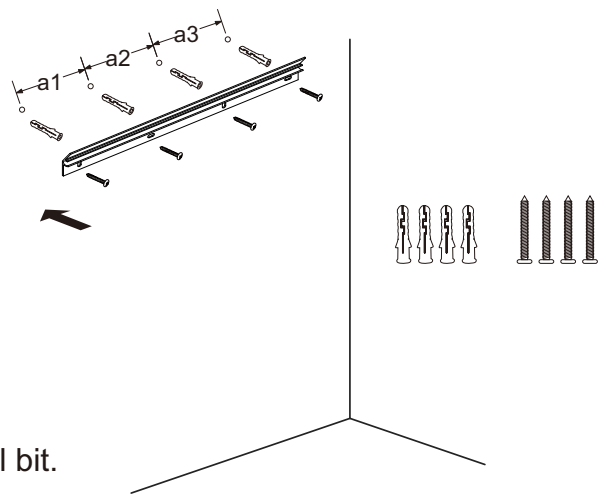


Fig.2

2. Positioning and Installation of Mirror Cabinet

- ① Attach the mirror cabinet to the bar as shown in Fig. 3.
- ② Turn on the main switch, and test if the switch works normally.

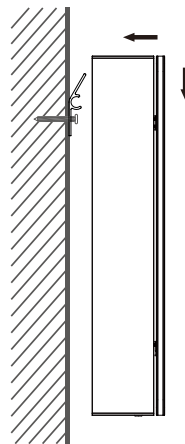
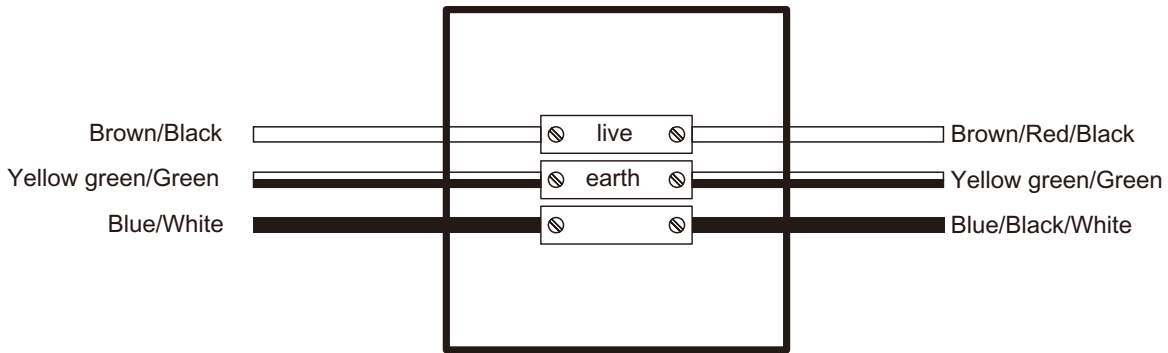
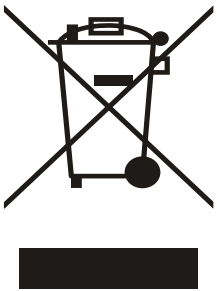


Fig. 3

Wiring Diagram for Input



LUMINAIRE



Waste Electrical & Electronic Equipment Regulations (WEEE) requires that any of our products showing this mark (left) must not be disposed off with other household or commercial waste. We do not levy any WEEE disposal charges to its customers for affected WEEE related products. To prevent possible harm to the environment or human health from uncontrolled waste disposal, please separate any such product from other waste types and recycle it responsibly at your local facilities. Check with your Local Authority, Recycling Center or retailer for

LED Mirror FAQ's

A. Net Weight (kg)	13.6kg
B. Light Source	LED
C. Light source average lightspan	50k (hrs)
D.Total Rated Wattage (w)	35w
E.Lumens(Lm)	3450Lm
F. Kelvins (K)	2700-6500K
G.Is the Mirror Dimmable	Yes
H.Energy Rating	F
I. What orientation can the mirror be hung in	Portrait
J. Is the heated pad only on when the mirror is illuminated	Yes
K.Does the mirror require an earth connection	Yes
L.Can I bypass the sensor so the mirror turns on with the main room light	No
M.Is it cool white or warm white illumination	Cool White To Warm White

Electrical Safety Information

We recommend that all Electrical Bathroom products should only be fitted by a suitably qualified, P-part registered electrician in accordance with current IEE Regulations. Ensure mains power supply is switched off before starting installation. Before drilling, ensure there are no hidden cables or pipes in the wall.

We recommend that you receive the product before commencing with installation as all sizes and measurements are approximate. We try and ensure all measurements are as accurate as possible. In the interest of our continuous product development, we reserve the right to alter specification as necessary. E&OE.