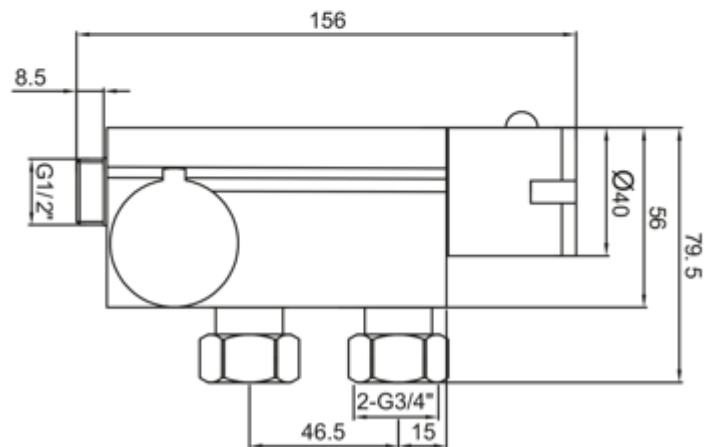
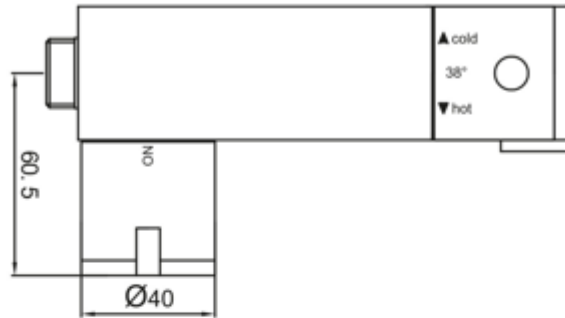


DOUCHE003

Thermostatic Vertical Valve for Douche



User Notice

1. The working condition of this product is cold water 4-29°C, hot water 55-70°C and water pressure between 0.5 bar – 5 bar
2. Ensure the shower valve is turned when not in use, the hose and gun must never be left under pressure for long periods of time. (especially when nobody resides in the property)
3. The device must not be installed in a location in which the temperature could drop below 0°C, take all necessary measures to avoid this from occurring.
4. Don not disassemble the valve unless you are a competent person
5. Hard water can affect the function of this device, regular maintenance would be required to prevent a build up of calcium deposits. We recommend the device is descaled on a bi-annual basis.

Installation

1. This device have a balanced hot and cold feed, to operate.
2. It is suitable for: Unvented systems, Combination boilers, pumped gravity systems (if pressure is equal)
3. Pipework must be flushed fully prior to installation, failure to do so will impair the flow of water.
4. Do not reverse the flow, doing so will prevent the mixture of water.
5. It is good practise to ensure the product can be isolated separately from the general water system, please ensure this is accessible

Maintenance

- 1) If the flow becomes reduced or in-balanced ensure the filters are clean and free of debris
- 2) Hard water areas ensure the thermostatic and on-off cartridge is removed and descaled twice a year.

Aftercare

To ensure no damage occurs on the surface, we recommend the use of PH neutral cleaning solution (example washing up liquid). The use of acidic cleaners will damage the finish. Use with a soft cloth. Please do not use inappropriate tools such as sharp brushes, rough sponges, scouring pads or corrosive detergents. Ensure the is then rinsed and dried with a soft dry cloth, after every use

