

DSC BSM C

DESCENT Tap Range Descent Bath Shower Mixer Chrome



Features:

- Long life and easy to use 1/4 turn ceramic disc valves
- Metal back nuts for added durability
- Includes 1.75m hose, rub-clean anti-limescale handset and wall bracket
- Minimum working pressure of 0.3 bar

Product Certifications:



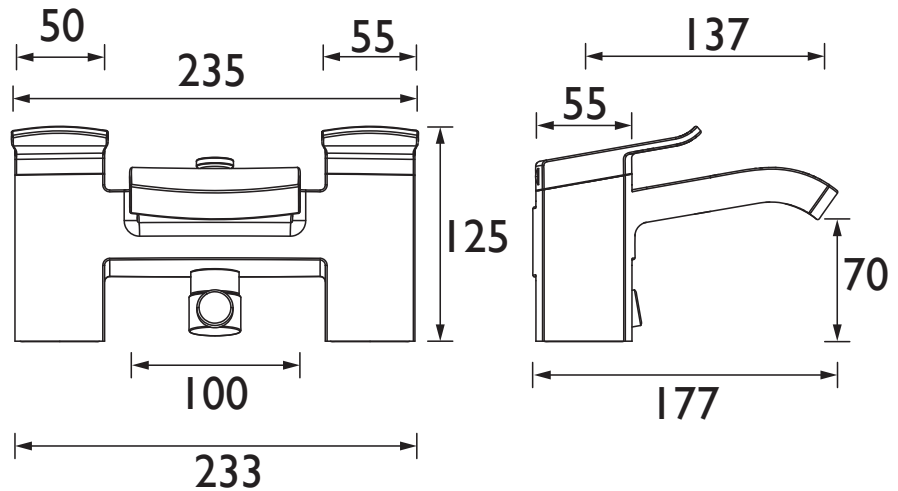
For more products, visit our website:
<http://www.bristan.com>



Specification

Product Type:	Bathroom Tap
Main Construction Material:	Brass
Mount Type:	Deck Mounted
Handle Type:	Lever Handles
Connection Inlet:	3/4" BSP threaded tail
Connection Outlet:	Open
Number of Tap Holes:	2
Valve/Cartridge Type:	1/4 Turn 3/4" Ceramic Disc Valve
Plumbing System Requirements:	Suitable for all plumbing systems
Minimum Dynamic Pressure (bar):	0.3 bar
Maximum Dynamic Pressure (bar):	5.0 bar
Maximum Hot Water Temperature °C:	60°C
Maximum Static Pressure (bar):	10 bar
Flow Type:	Single Flow
Isolation Included:	No

Dimensions (measurements in mm)



Flow Rates (l/min)

System Pressure (bar)	0.3	0.5	1	2	3	5
Through Bath Filler (mixed)	20.5	26.5	37.4	52.9	64.8	83.7
Through Handset (mixed)	10.4	13.4	18.9	26.8	32.8	42.3

TECHNICAL DATA SHEET



BRISTAN

D3