

DUL2 SHXARFF C

DU LEVER Shower Range Design Utility Lever Bar Mixer with Adjustable Riser Kit and Fast Fit Wall Fixings



Features:

- 15mm inlet connections
- Thermostatic cartridge with preset temperature stop at 38°C, can be over-riden to a maximum of 46°C
- Supplied with easy to use lever handles
- Dual control - flow and temperature are controlled separately
- Supplied with our wallmount 12 fixing kit. The simplest solution for installing, maintaining and replacing bar showers, using built in front-of-wall isolation valves

Product Certifications:

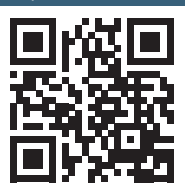


WRAS Certificate No: 2005902
WRAS Expiry Date: 31/05/2025



TMV Cert. Number: NSF2262/0720
TMV Expiry Date: 16/07/2025

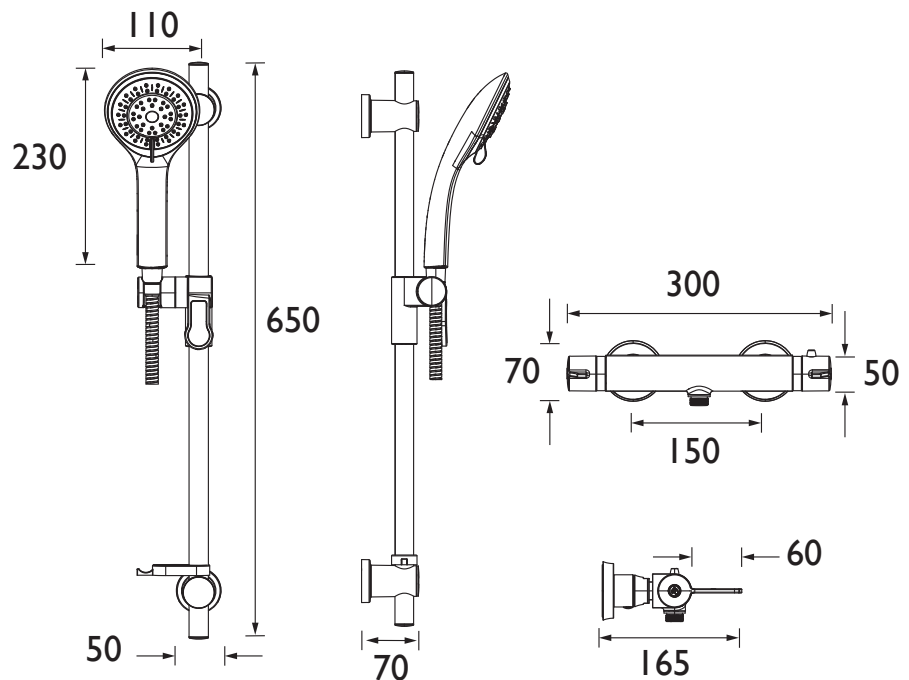
For more products, visit our website:
<http://www.bristan.com>



Specification

| | |
|--|--------------------------|
| Finish/Colour: | Chrome |
| Main Construction Material: | Brass |
| No of Controls: | 2 |
| Shower Type: | Bar Shower |
| Shower Head Type: | Adjustable |
| Valve/Cartridge Type: | Thermostatic |
| Maximum Hot Water Supply Temperature °C: | 65 |
| Maximum Static Pressure: (bar) | 10 |
| Plumbing System Suitability: | All, Ideally Balanced |
| Working Pressure Range: | Min: 0.2 Bar, Max: 5 Bar |
| Connection Inlet: | 15mm Compression |
| Connection Outlet: | G 1/2" |
| Isolation Valve Included: | Yes |
| Check Valve Included: | Yes |

Dimensions (measurements in mm)



Flow Rates (l/min)

| System Pressure (bar) | 0.2 | 0.5 | 1 | 2 | 3 | 5 |
|-----------------------|-----|-----|-----|-----|------|------|
| Flow Mode 1 | 2 | 3.6 | 5.5 | 8.2 | 10.4 | 13.4 |
| Flow Mode 2 | 2.3 | 4.2 | 6.4 | 9.6 | 12 | 15.4 |
| Flow Mode 3 | 1.8 | 3.5 | 5.3 | 7.7 | 9.7 | 12.5 |

TECHNICAL DATA SHEET



BRISTAN

D6