

BRISTAN

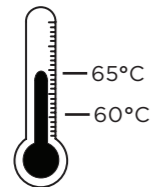
Installation Instructions & User Guide

Please leave these instructions with the end user

Product Code: DX BAS C (D5)

Specifications

Maximum Inlet Temperature

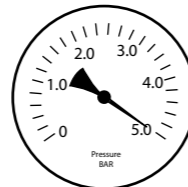
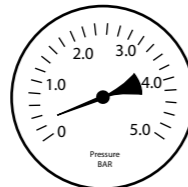


60-65°C Recommended

Dynamic Water Pressure

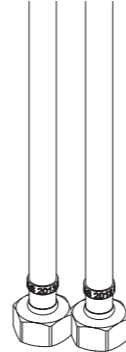
Min: 0.2 bar

Max: 5.0 bar



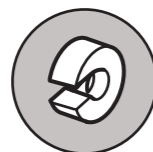
Maximum Static Pressure: 10.0 bar

Inlet Connections



M10 x 15mm Flexi Pipes

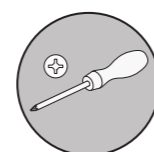
Tools You'll Need



Pipe Cutter



Adjustable Spanner



Crosshead Screw Driver

Prior to Installation

All products manufactured and supplied by Bristan are safe to use provided that they are installed, operated and receive regular maintenance in accordance with these instructions.

This product needs to be installed in accordance with, and meet the requirements of the Water Supply (Water Fittings) Regulations 1999 and current by-laws. For full Installation Requirements & Notes (IRN) please visit wras.co.uk/directory.

Isolation valves must be fitted to the inlet water supplies to ensure ease of future maintenance.

Before installing this product the water supply must be thoroughly flushed in order to remove any swarf, solder etc.

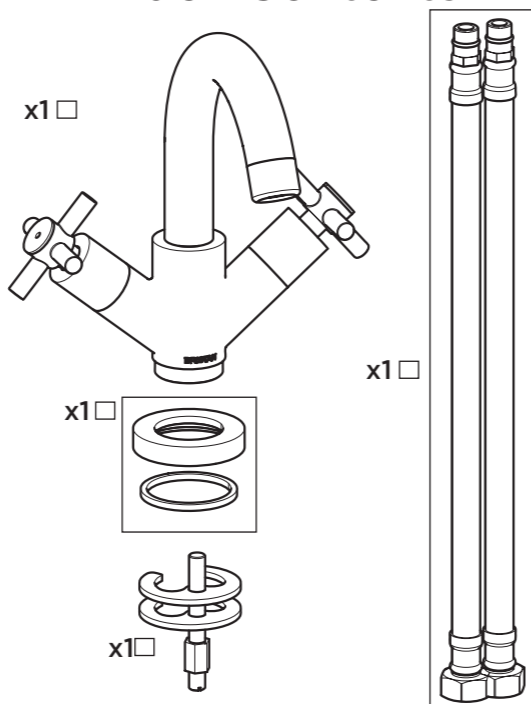
This product must not be modified in any way as this will invalidate the guarantee.

Full access must be made available for future maintenance/servicing purposes.

If in doubt, contact a registered plumber or your Local Water Authority or the Secretary of the Institute of Plumbing, address as follows:-

The Institute of Plumbing,
64 Station Lane,
Hornchurch,
Essex,
RM12 6NB, Tel: 01708 472791

Pack Contents

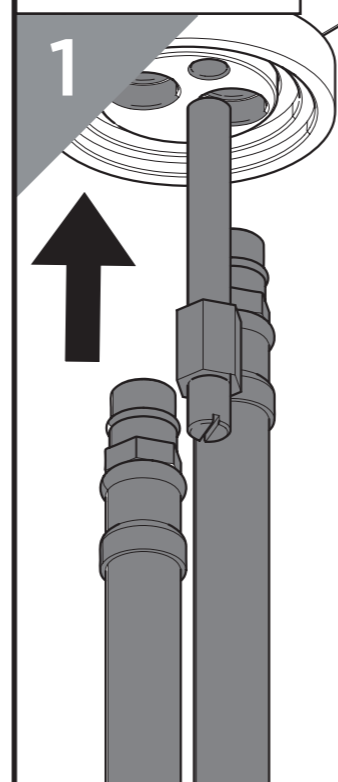


Spare Parts

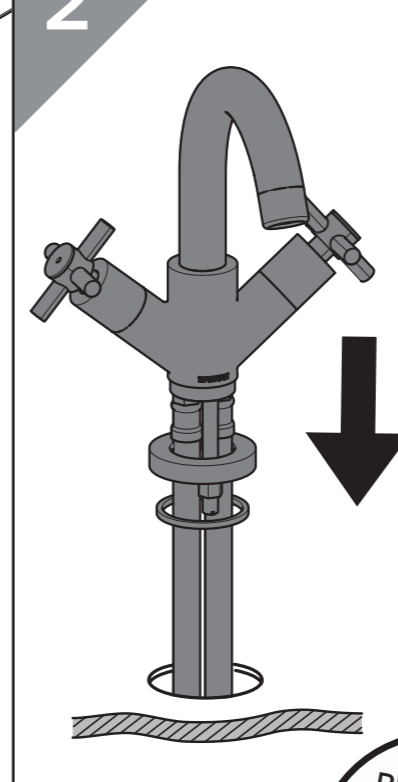
To replace any spare parts for your tap, why not scan the QR Code or visit www.bristan.com and search for your product.



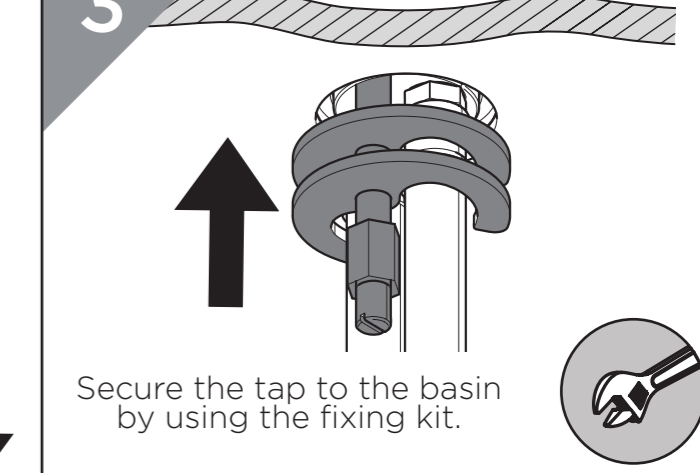
Installation



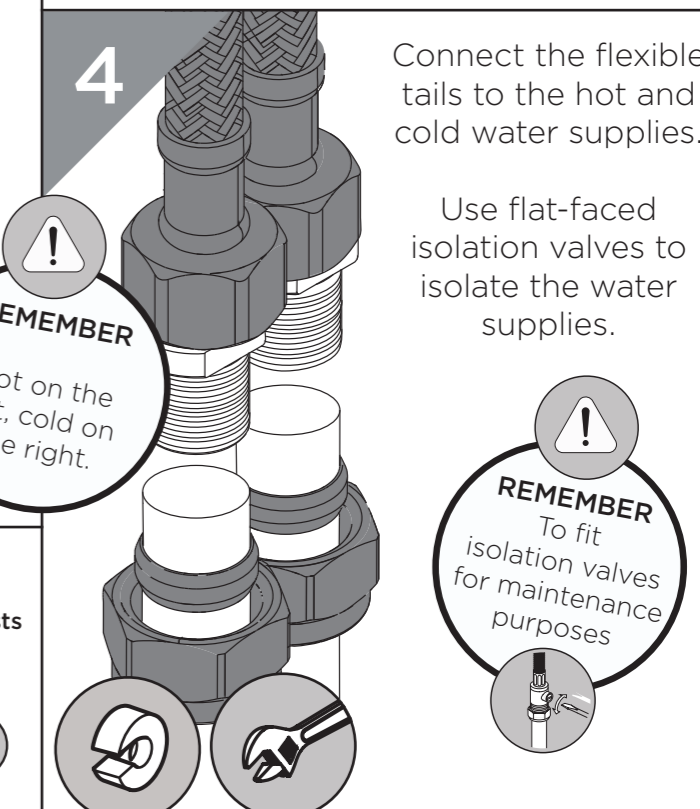
Screw in the flexible tails by hand. **DO NOT OVERTIGHTEN.**



Fit the tap to the basin, ensuring the plinth is in place.



Secure the tap to the basin by using the fixing kit.



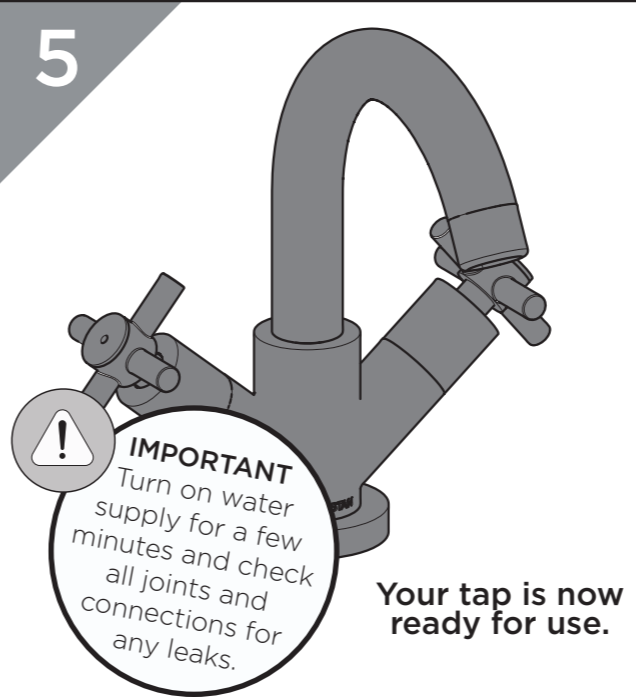
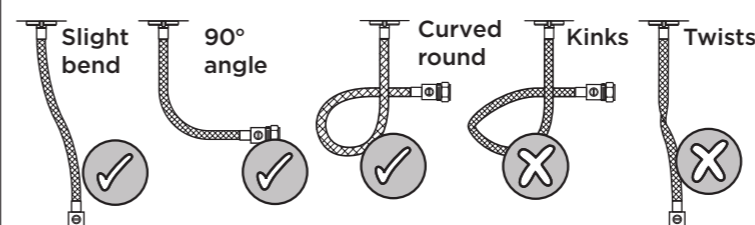
Connect the flexible tails to the hot and cold water supplies.

Use flat-faced isolation valves to isolate the water supplies.

REMEMBER
Hot on the left, cold on the right.

REMEMBER
To fit isolation valves for maintenance purposes

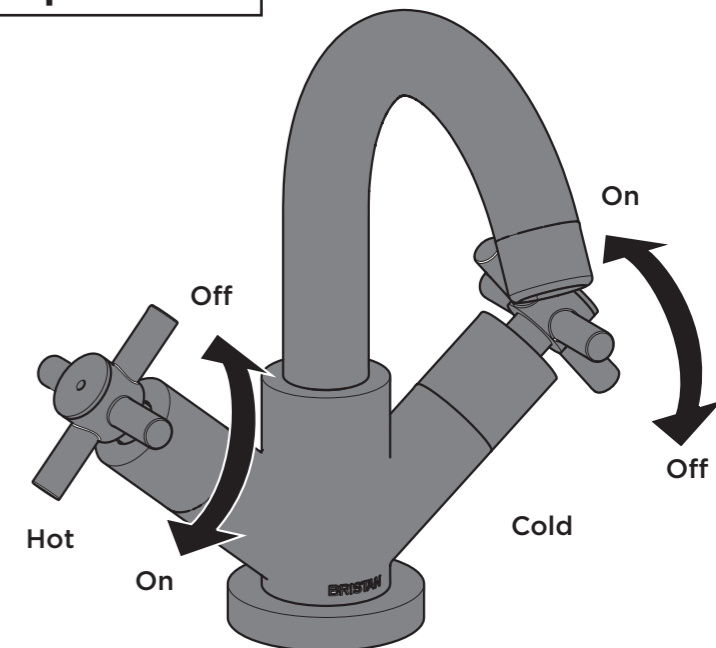
Flexible Tail Positions



IMPORTANT
Turn on water supply for a few minutes and check all joints and connections for any leaks.


Your tap is now ready for use.

Operation

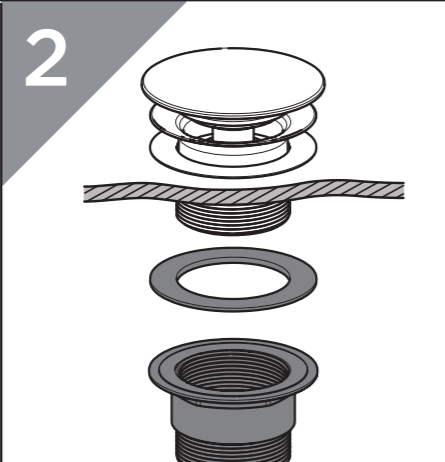


Waste Installation

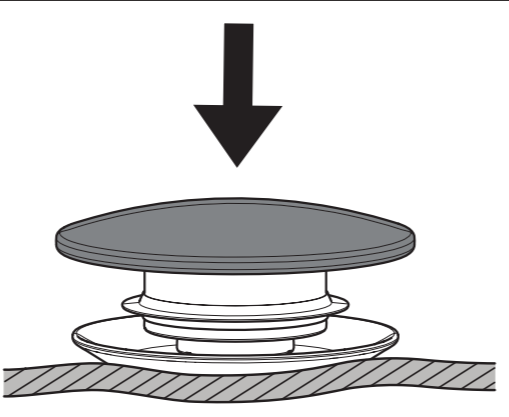
1 Fit the waste above the basin with the top washer.



2 Secure waste under the basin with backnut and bottom washer.



Waste Operation



Push the centre down to close the waste. Push again to open and release contents of basin.

General Cleaning

Bristan products are made from premium materials, with hand polishing and electroplated finishes.

Your taps or shower should be regularly cleaned with warm water, a mild pH-neutral liquid soap, and polished with a soft cloth. Any residues from soap, toothpaste, shampoos and shower gels can cause blemishes if not rinsed off straight after use.

Household bleaches and cleaners contain harsh chemicals and may damage the surface finish. Avoid using abrasive cloths, scouring pads, scrub sponges, steel wool or anything similar.

Some surfaces such as nickel and pewter may be affected by the dye found in some cloths, so it is also important to avoid hanging cloths on spouts.

Servicing Your Tap

We recommend servicing your tap at least once every year to prolong its life. To see a video showing how to remove the cartridge for servicing, scan the QR code with your smart phone or tablet.

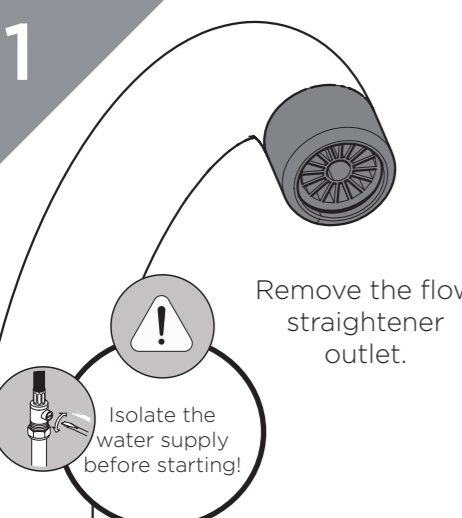
Alternatively visit www.youtube.com/BristanTV

Love Your Chrome

Bristan offers an effective chrome-friendly cleaning kit for use with your taps and showers. Scan the QR Code or search for 'CLEAN KIT01' on www.bristan.com.


Maintenance - Clean/Replace Outlet

1 Remove the flow straightener outlet.

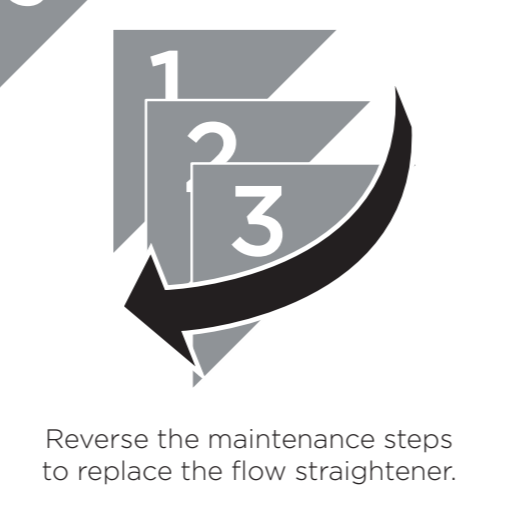


Isolate the water supply before starting!

2 Place flow straightener parts in a suitable solution and soak until fully de-scaled.



3 Reverse the maintenance steps to replace the flow straightener.

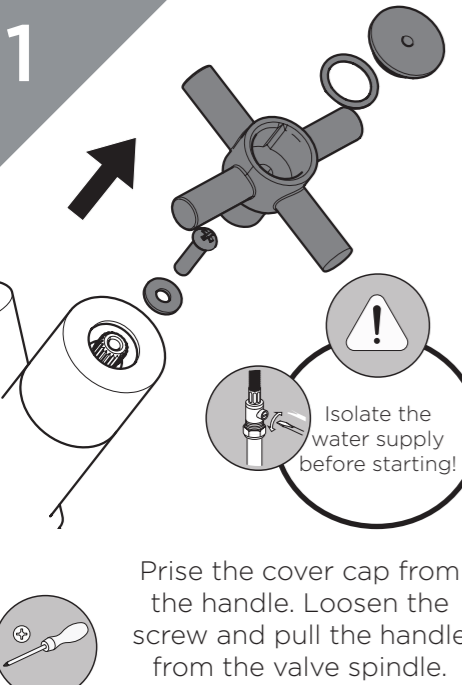


Troubleshooting

Symptom	Cause	Remedy
No flow or low flow rate	Partially closed isolation valve.	Open isolation valve.
	Instantaneous water heater cycles on and off as flow rate or pressure is too low.	Increase water flow rate or pressure through system.
	Head of water is below the minimum distance required.	Refer to specification for minimum distance required.
	Hot or cold water being drawn off elsewhere causing pressure changes or instantaneous boiler temperature changes.	Do not use other water outlets when using the taps.
	Airlock or partial blockage in the supply pipework.	Flush through pipework to ensure removal of debris and any airlocks.
Water dripping from taps	This is normal for a short time after using the taps.	This is caused by residual water tension, the build up of water in the tap body.
	If water continues to drip, possibly due to the ceramic disc valves	Remove valves and clean, refer to 'Maintenance' section before starting any maintenance.
Taps do not turn on	Closed isolation valve.	Open isolation valve.
	Mains water supply turned off.	Turn on mains water supply.

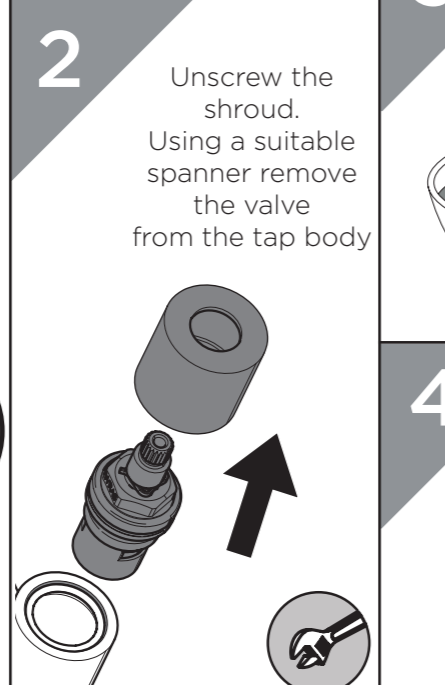
Maintenance - Cartridge Cleaning

1 Prise the cover cap from the handle. Loosen the screw and pull the handle from the valve spindle.

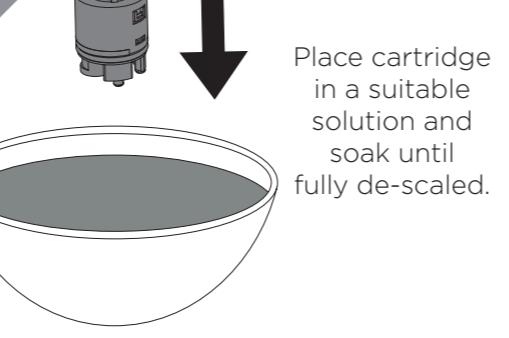


Isolate the water supply before starting!


2 Unscrew the shroud. Using a suitable spanner remove the valve from the tap body.



3 Place cartridge in a suitable solution and soak until fully de-scaled.



4 Reverse the maintenance steps to replace the handle.



At Bristan, we want to make things as easy as possible for our customers. That's why we offer solid guarantees on all our products, effective from the date of purchase, to give you peace of mind.

To start your free guarantee simply scan the QR code and register your product. Alternatively visit www.bristan.com/register to register your product via a computer.

For full guarantee terms and conditions visit www.bristan.com/guarantees.

We Know & We Care