

# DX BF C

# DECADE BRI Tap Range

Decade Bath Filler Chrome



## Features:

- Long life and easy to use 1/4 turn ceramic disc valves
- Metal back nuts for added durability

## Product Certifications:



WRAS Certificate No: 2109906  
WRAS Expiry Date: 30/09/2026

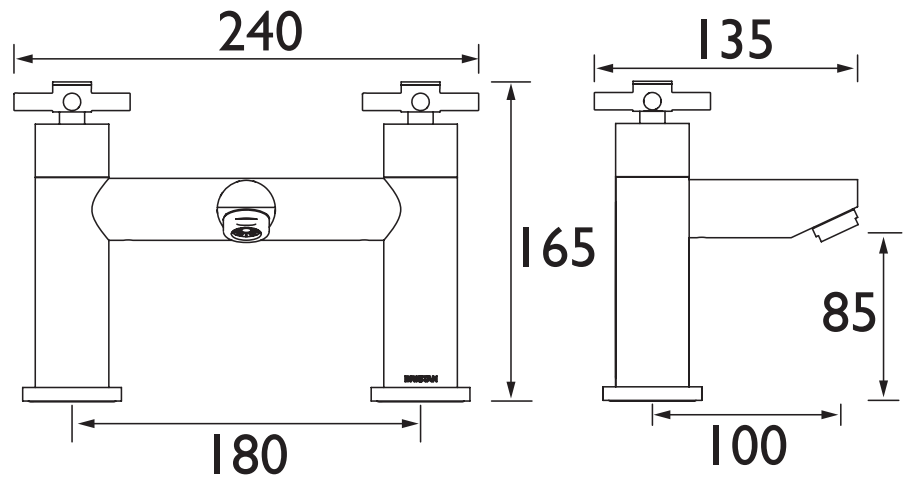
For more products, visit our website:  
<http://www.bristan.com>



## Specification

Product Type:	Taps
Main Construction Material:	Brass
Mount Type:	Deck
Handle Type:	Crosshead
Connection Inlet:	3/4" BSP
Connection Outlet:	M24 Male Flow Straightener
Number of Tap Holes:	2
Valve/Cartridge Type:	3/4 Ceramic Disc Valve 1/4 Turn
Plumbing System Requirements:	Suitable for all plumbing systems
Minimum Dynamic Pressure (bar):	0.2 bar
Maximum Dynamic Pressure (bar):	5.0 bar
Maximum Hot Water Temperature °C:	65°C
Maximum Static Pressure (bar):	10 bar
Flow Type:	Single
Isolation Included:	No

## Dimensions (measurements in mm)



## Flow Rates (l/min)

System Pressure (bar)	0.2	0.5	1	2	3	5
DX BF C (mixed)	14.9	23.4	33.2	46.9	57.5	74.2

# TECHNICAL DATA SHEET



# BRISTAN

D6