

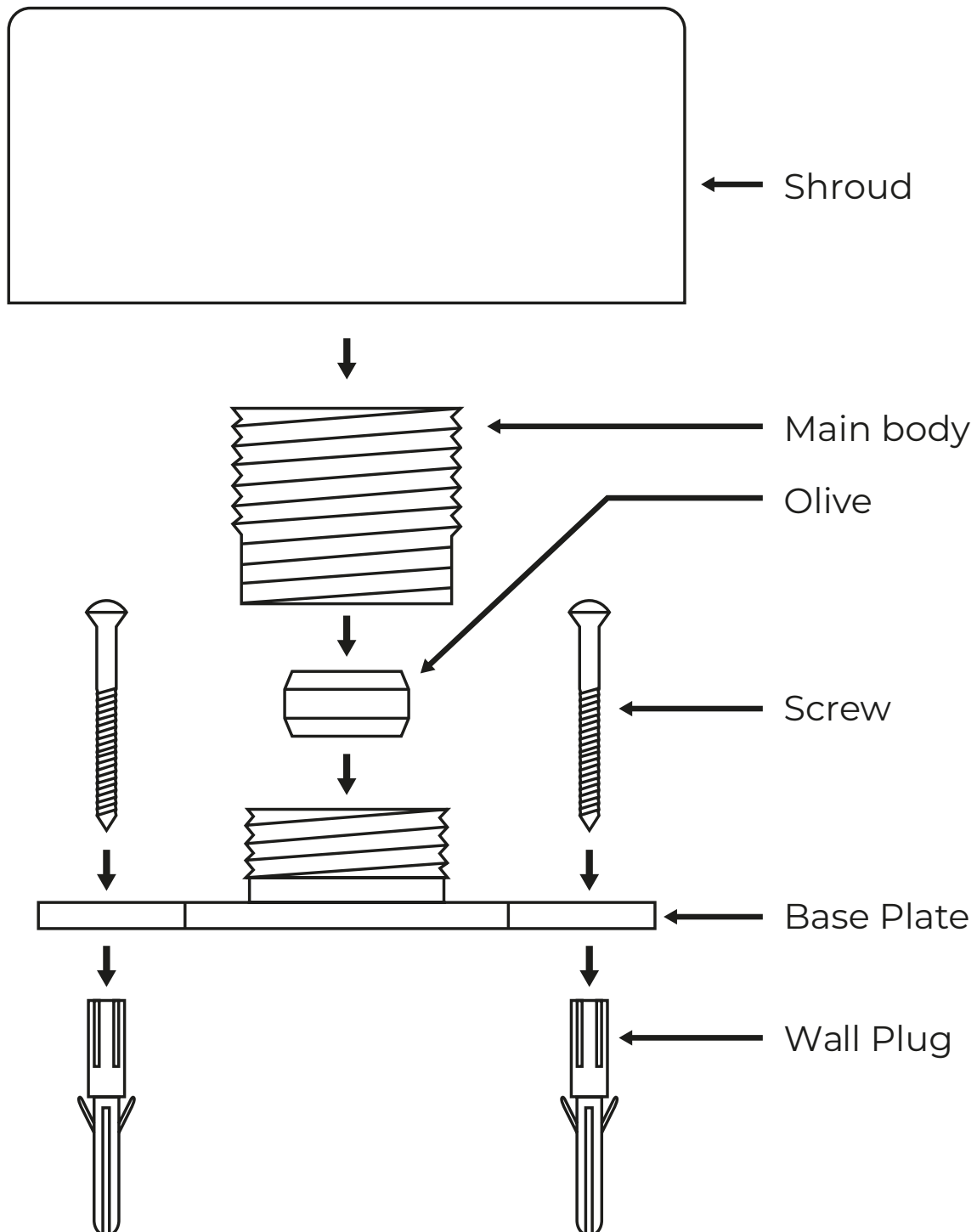
Easy Kit Instruction Manual

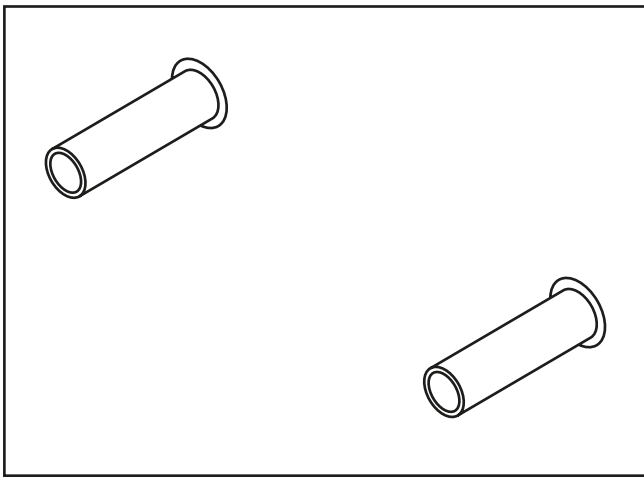
Contents:

2 Main bodies - 2 Olives - 2 Base Plates - 4 Wall Plugs - 4 Screws - 2 Shrouds

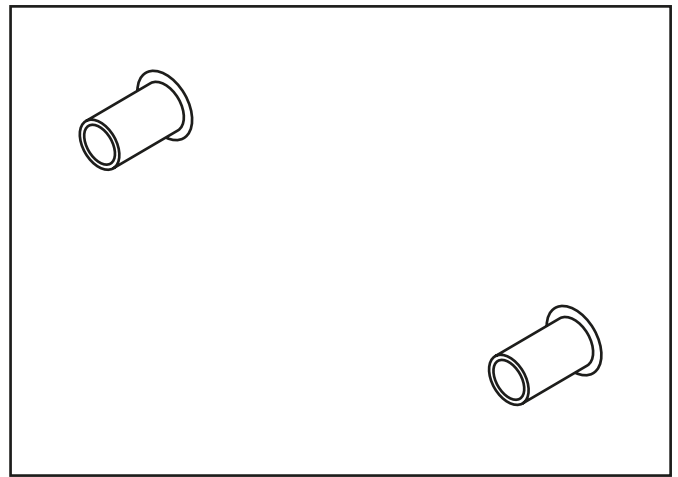
Tools needed:

Drill - Screwdriver - Adjustable Spanner

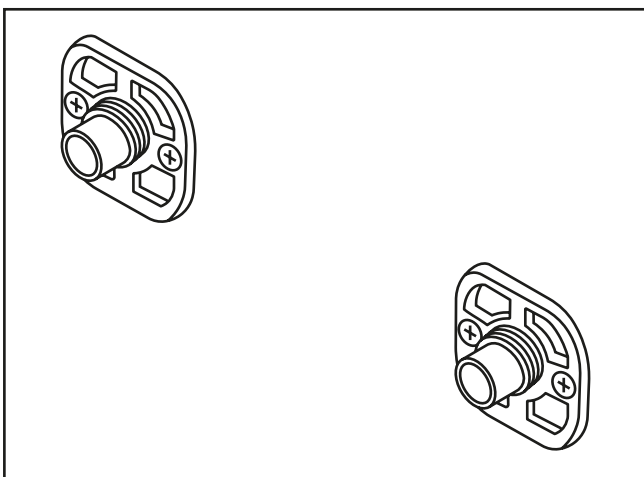




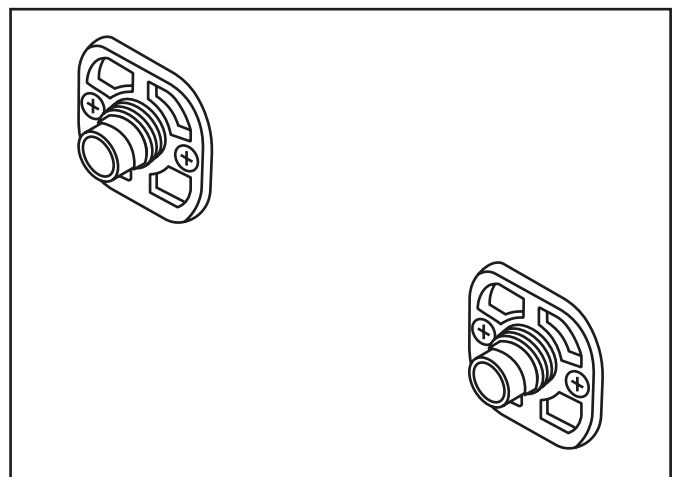
Ensure that your pipe centres are correct for your bar valve (usually 150mm) and ensure that your tiles / wall coverings are fully sealed and cured



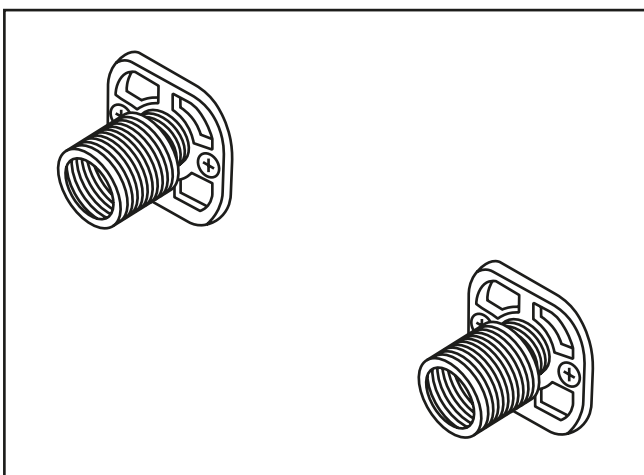
Cut the pipes down leaving 23mm protruding from the face of the wall. Do not leave any sharp edges or burrs on the pipes.



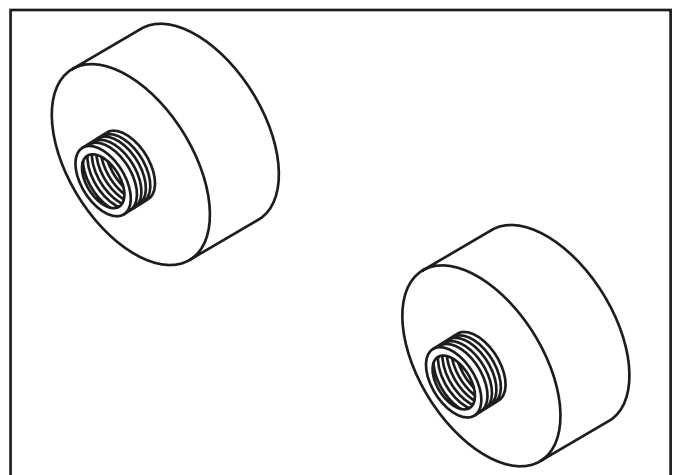
Place the backing plate over the pipe. Drill and screw the backing plate to the wall using a suitable method for your wall. Check for pipes and cables before drilling.



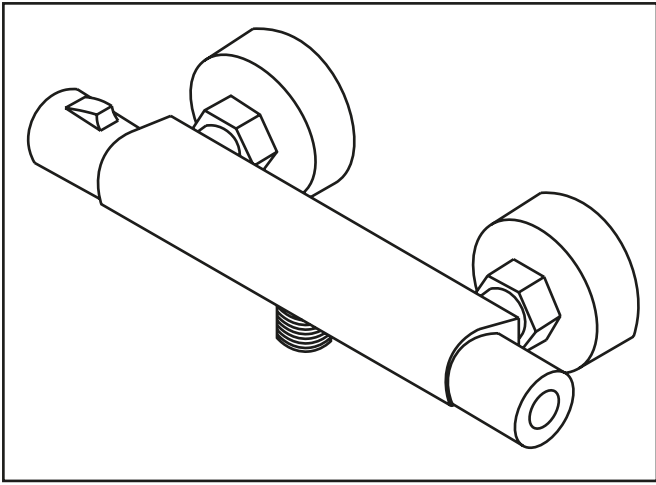
Place the olives onto the pipes, ensure olives are straight as the olives will bend when the main body is tightened to the backplate if improperly placed.



Screw the main body onto the backing plate, using an adjustable spanner to tighten. This will compress the olive and create a seal. You can now water test.



Screw your shrouds onto the main body, back to the wall.



Screw your bar valve onto the easy fix kits. Water test again.