

PRODUCT DATA SHEET

Empire 500 Unit Handleless Gloss White

Product Code: EMPIRE-500CAB-GWTE



SCUDO
BEAUTIFUL BATHROOMS

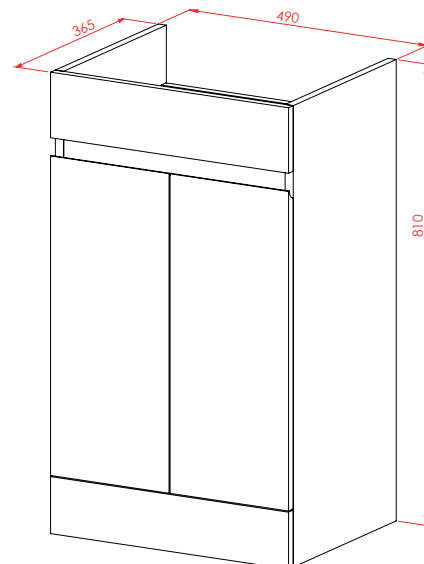
0330 124 7290

sales@scudo.co.uk - www.scudo.co.uk

Scudo is the trading name of Harrison Bathrooms Ltd. Whilst we endeavour to ensure that the product information is accurate we accept no liability for any information given. All images are for illustration purposes only. Product images and specification are subject to change. Measurement are in millimetres and are nominal.

Product Name	EMPIRE-500CAB-GWTE
Product Description	Empire 500 Unit Handleless Gloss White
Product Transportation	
Barcode	5060766125640
Country of origin	N/A
Commodity code	N/A
Product Measurements	
Product Weight (KG)	N/A
Product Width (mm)	365mm
Product Height (mm)	810mm
Product Depth (mm)	N/A
Product Length (mm)	490mm
Primary Packed Measurements	
Packaged Weight	25mm
Packed Length	500mm
Packed Width	460mm
Packed Height	830mm
Packaging Weights	
Card (kg)	N/A
Paper (kg)	N/A
Wood (kg)	N/A
Plastic (kg)	N/A
Compliance DOP	N/A

General Information	
Construction Material	0
Installation type	0
Colour / Finish	0
Furniture Attributes	
Supplied Fully Assembled	0
Number Of Drawers	0
Number Of Doors	0
Soft Close Doors / Drawers	0
Moisture resistant	0
Internal Shelves	0
Door Opening Width (mm)	0
Draw Opening Distance (mm)	0
Recommended Concealed Cistern	0
False Draws	0
Number of False Draws	0
Can the door be swapped over to open the opposite way	0
Which side is the door hinge located	0
Compatible Furniture Part Code	0
Compatible Basin Part Code	0
Handles	
Handle Style	0
Handle Finish	0
Handle Material	0
Number of Handles	0



Dimensions
(measurements in mm)



LIFETIME GUARANTEE

We are confident in our products and we want our customer to be, we proudly give a lifetime guarantee on our taps and showers, further details can be found on our website.