

# FRZ 3/4 C

## FRENZY Tap Range Frenzy Bath Taps Chrome



### Features:

- Long life and easy to use 1/4 turn ceramic disc valves
- Metal back nuts for added durability
- Easy-to-use lever handles
- Chrome plated to BS EN 248

### Product Certifications:



WRAS Certificate No: 2001908  
WRAS Expiry Date: 31/01/2025

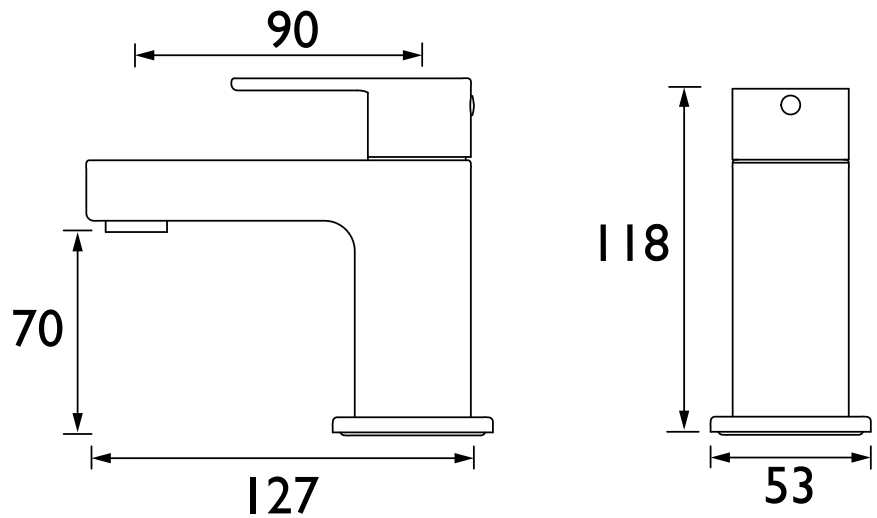
For more products, visit our website:  
<http://www.bristan.com>



### Specification

Product Type:	Bathroom Taps
Main Construction Material:	Brass
Mount Type:	Deck Mounted
Handle Type:	Lever Handles
Connection Inlet:	3/4" BSP
Connection Outlet:	Aerator
Number of Tap Holes:	2
Valve/Cartridge Type:	3/4" Ceramic Disc Valve
Plumbing System Requirements:	Suitable for all plumbing systems
Minimum Dynamic Pressure (bar):	0.3 bar
Maximum Dynamic Pressure (bar):	5.0 bar
Maximum Hot Water Temperature °C:	65°C
Maximum Static Pressure (bar):	10 bar
Isolation Included:	No

### Dimensions (measurements in mm)



### Flow Rates (l/min)

System Pressure (bar)	0.3	0.5	1	2	3	5
FRZ 3/4 C (Cold)	16.1	21.1	31.6	46.8	57.3	74.0
FRZ 3/4 C (Hot)	15.6	21.1	33.9	46.9	57.4	74.2

## TECHNICAL DATA SHEET



# BRISTAN

D5