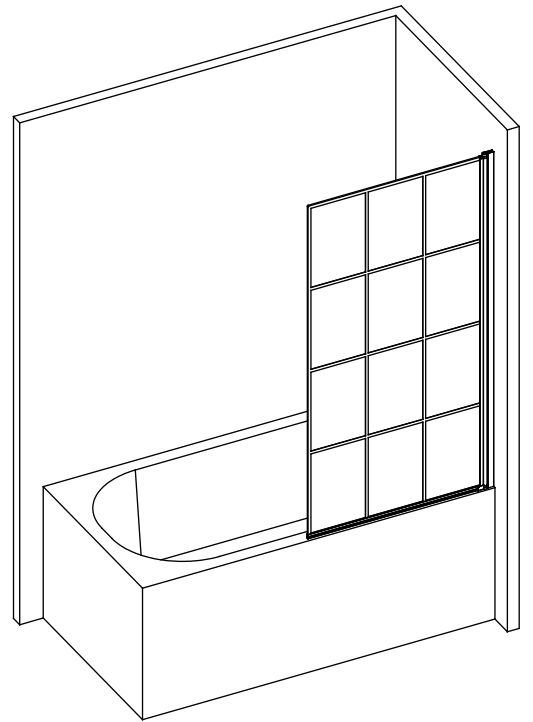
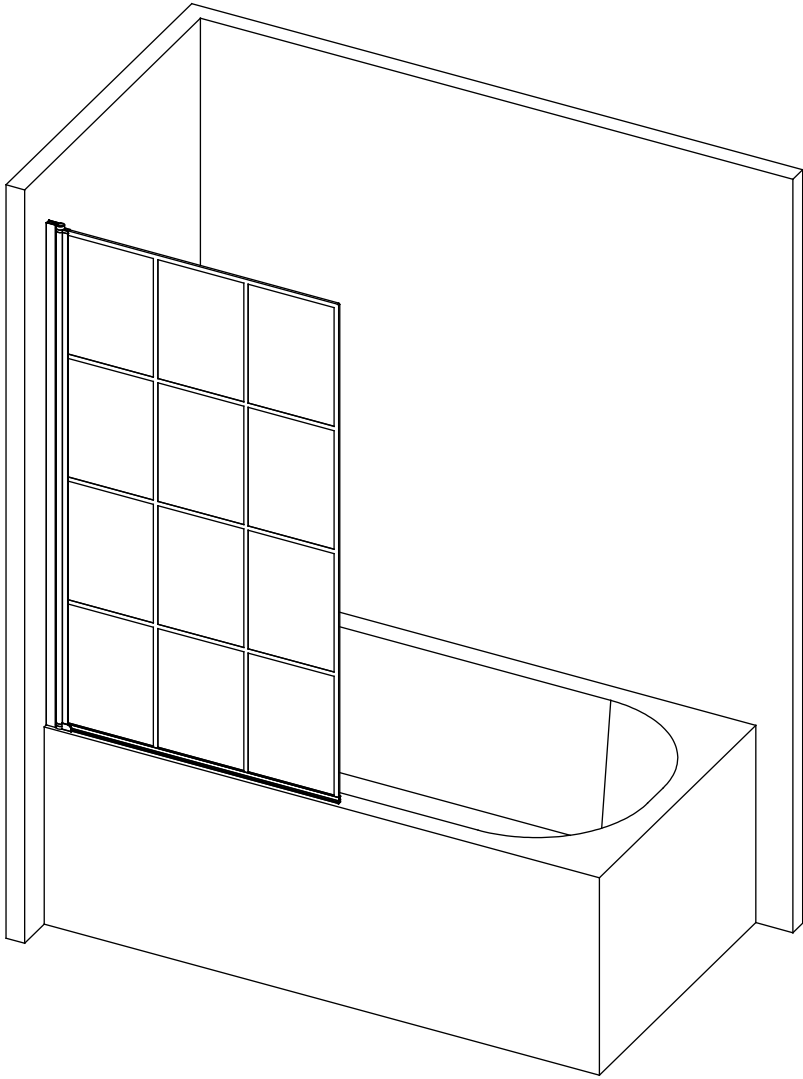
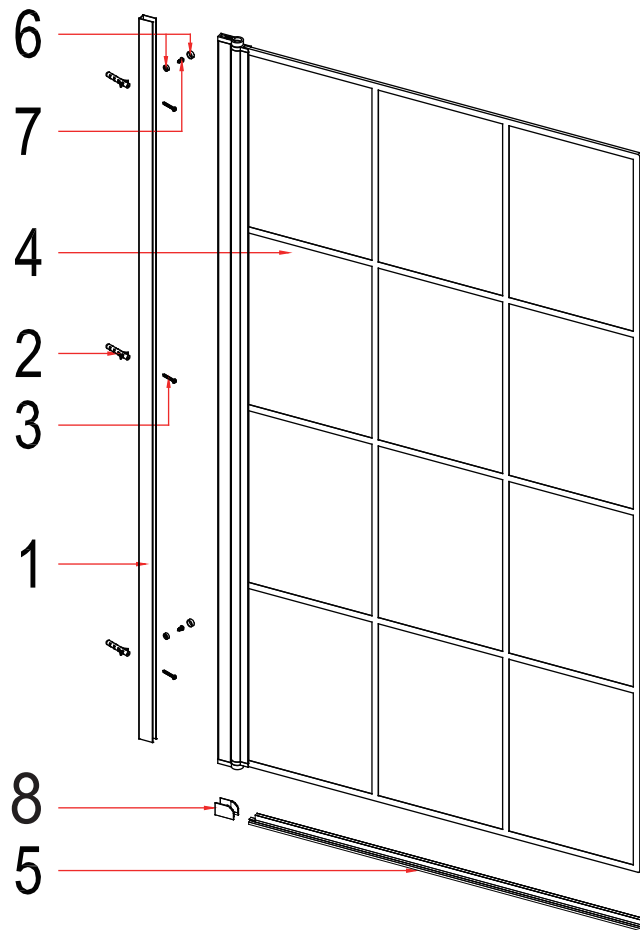
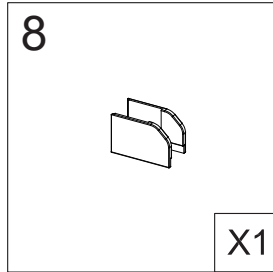
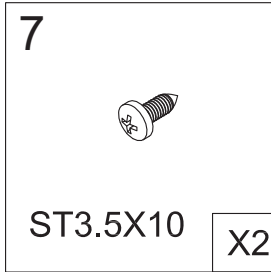
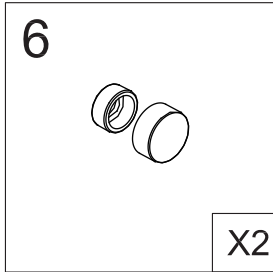
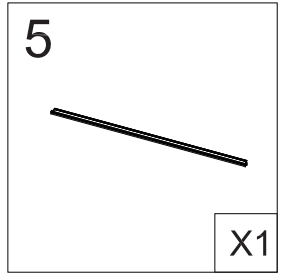
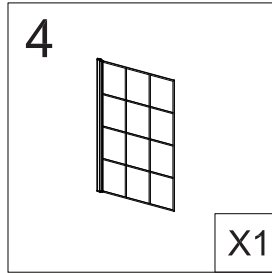
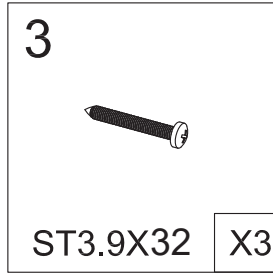
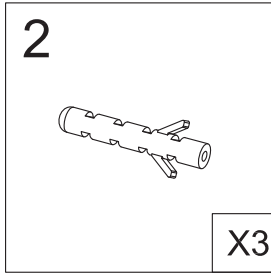
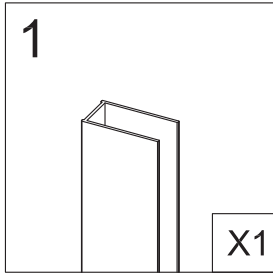
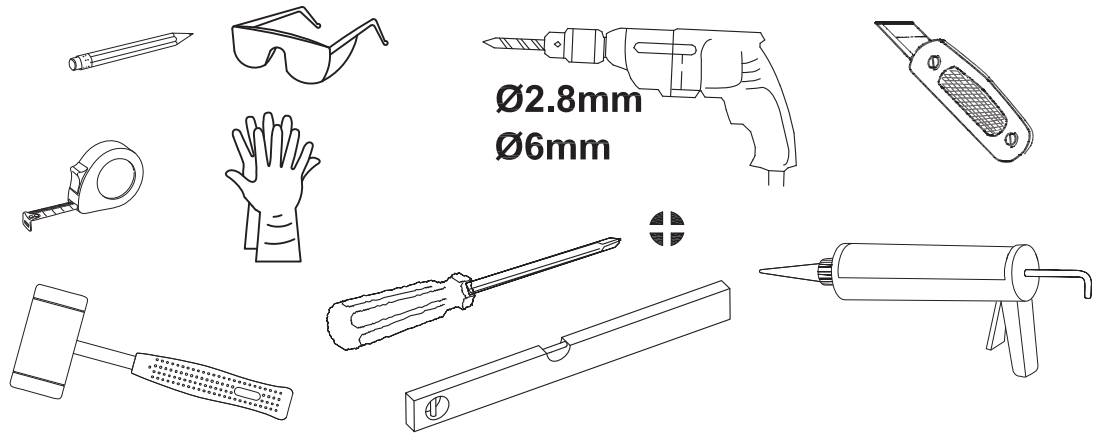
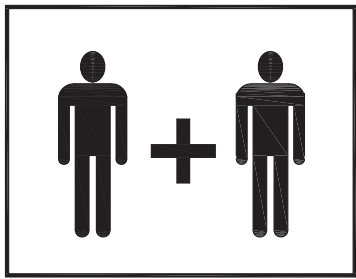
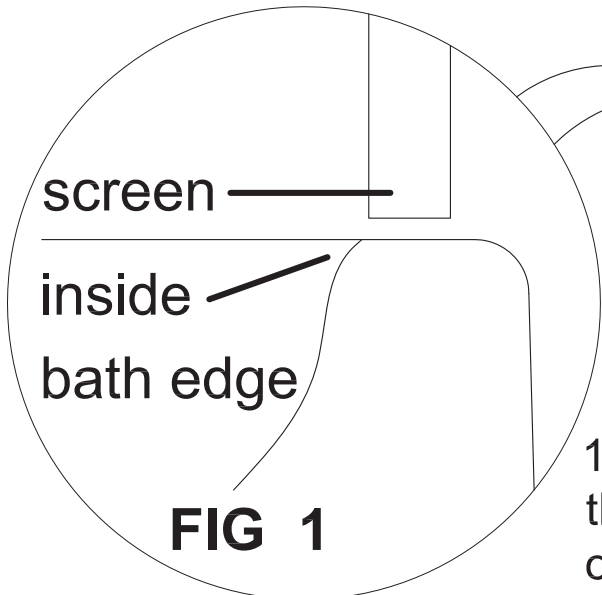
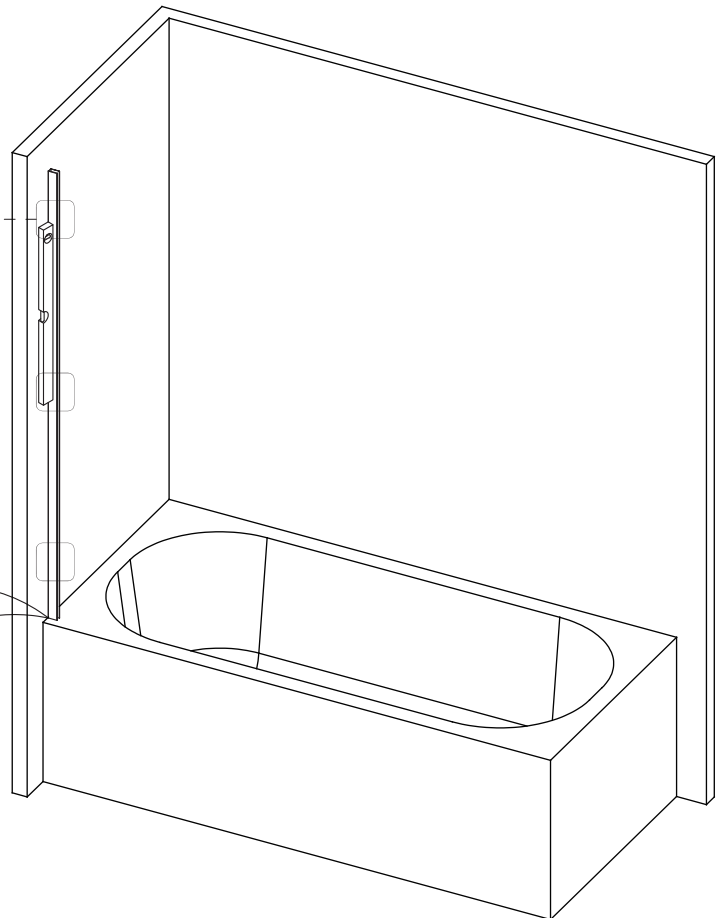
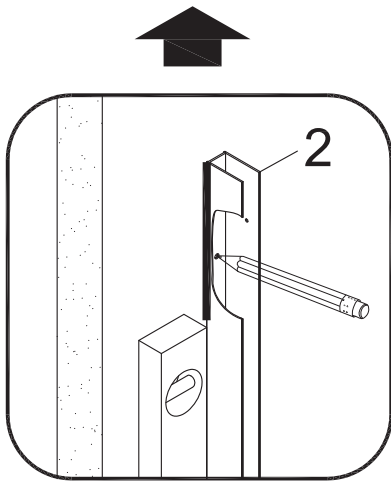
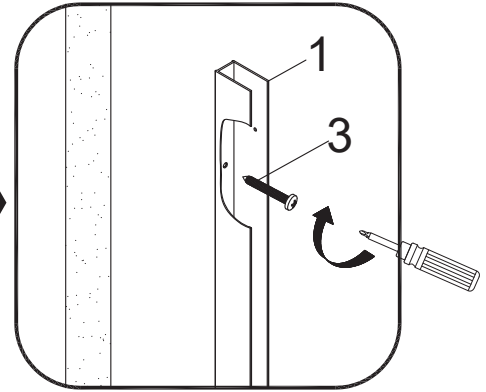
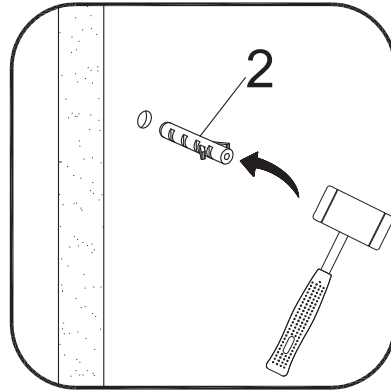
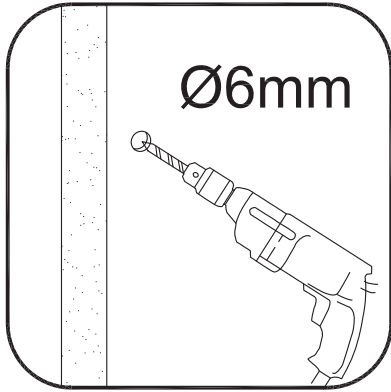
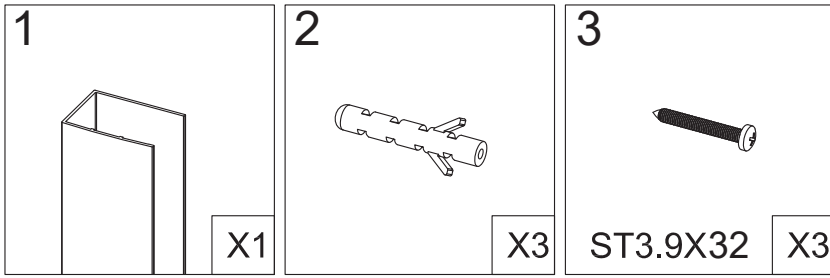
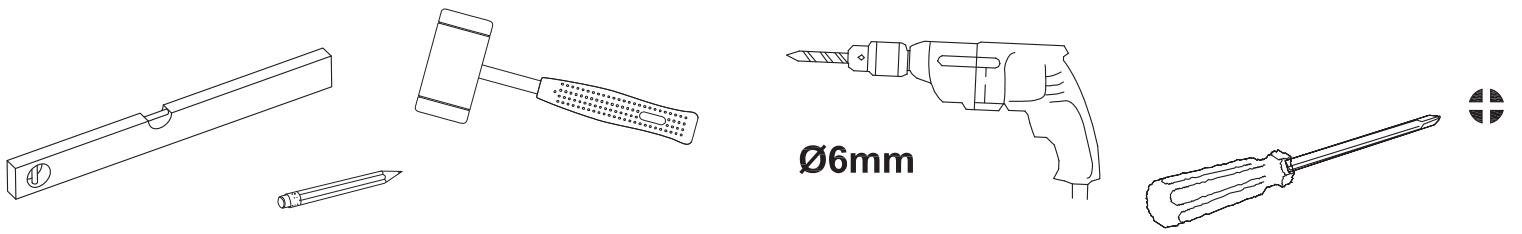


BATH SCREEN

ASSEMBLY GUIDE







1. Position the wall profile so the seal on the moving panel sits on the inside edge of the bath .**FIG 1.**

