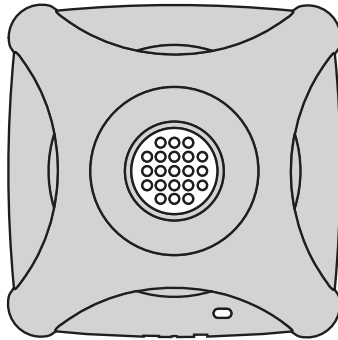
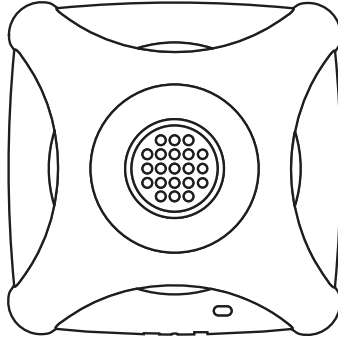


Air-Star Ceiling Fans



Air-Star Silver
Art no.32100



Air-Star White
Art no.31900

Thank you for purchasing this HiB product.

Please read through these instructions carefully and refer back to them during installation to ensure that your product is fitted safely and that it retains its high quality finish.

Please retain this leaflet for future reference.

Before drilling, ensure there are no hidden cables or pipes in the wall

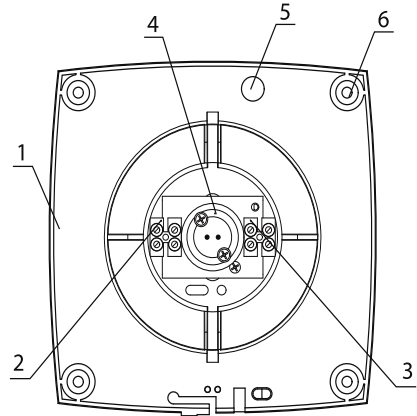
Suitable for installation in zones: 2 & Outside Zones

Please see Fig. 1 on the back page for details

Fitting

1. Choose a suitable position for your fan according to Figure 1 opposite. Use a cable finder to check if there are any buried cables or pipes in the ceiling. Ceiling mounted ventilation should be ducted through the roof space, by ducting to an external soffit under the eaves or grille in the slope of your roof. *NB: Ducting installed between a floor and ceiling can only run between joists, not across them.*
2. Mark the position of the vent fascia with a pencil in a suitable position on the ceiling, making sure that it is between the joists.
3. Drill a 9mm hole through the ceiling anywhere along the edge of the pencil line. Now cut out the hole with a pad saw.
4. Hold the vent fascia against the ceiling and mark the position of the fixing holes. Fix the unit in place using suitable heavy duty plasterboard fixings (not supplied).
5. Attach flexible ducting (not supplied) with the metal hose clamps. Ensure that the ducting has a smooth flow towards the external grille to minimise air resistance. Follow a similar procedure for the outside wall grille.

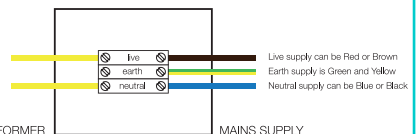
Electrical Connection



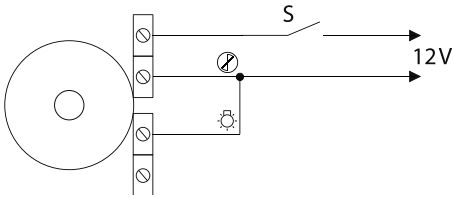
- | | |
|---|------------------------|
| 1 | Casing |
| 2 | Terminal block |
| 3 | Lamp terminal block |
| 4 | Lamp socket |
| 5 | Hole for power wires |
| 6 | Holes for fan mounting |

1. Ensure the domestic electrical mains supply to which the fan is being connected is turned off. This product is designed to be connected to an on/off switch outside the bathroom, or to a ceiling mounted pull cord switch. Ensure the domestic electrical mains supply to which the fan is being connected is turned off. This product is designed to be connected to an on/off switch outside the bathroom, or to a ceiling mounted pull cord switch.
2. Remove the protecting grille and lamp. This product is SELV and the mains power should be connected to the transformer supplied. See diagram below.

Wiring Diagram



3. Connect the electrical wiring to the motor according to the diagram below.
 - Switching fan and luminaire on/off together with one switch:



4. Fix the fan to the ceiling using 4 screws.
5. Replace the cover and protective grille.

Technical Information

Power input: 230v (must be connected to 12v transformer supplied)

Maximum ventilation volume: 89m³/hr (±5%)

Power consumption: 14W + 1W LED Lamp

Dimensions: W150 x H150 x D125mm

Warning

The Air-Star is supplied with an MR16 1 watt LED bulb. This is the only bulb suitable for use with this fan. Do not replace with any other bulb as this will invalidate any warranty. Do not exceed the stated wattage.

Maintenance

In the event of a fault, please check the in-line fuse located inside the connection box.

Fan maintenance is to be performed only after the fan is disconnected from the mains power supply. Maintenance means periodic clearing of the surfaces from dust and dirt.

In order to remove the fascia for maintenance, please remove the small retaining screw and gently prise the fascia away from the casing.

Care Instructions

All surfaces should be cleaned with diluted detergent, i.e. washing up liquid, and a soft cloth. Scourers and scouring agents should not be used, as these may cause damage to the surface of the product.



These products are suitable for installation in zones: **2 & Outside Zones**

All installations must comply with guidelines which are based on a zonal concept. The diagram above illustrates this concept and must be followed to ensure the safe installation of electrical appliances in the bathroom. These regulations apply to domestic installations only. Installations must be made in accordance with the current IEE wiring regulations and relevant building regulations. **HiB recommends that all electrical bathroom products should only be fitted by a suitably qualified, Part P registered electrician.**

Electrical Safety Information

Ensure mains power supply is switched off before starting installation. Before drilling, ensure there are no hidden cables or pipes in the wall.

Care Instructions

All surfaces should be cleaned with diluted detergent (i.e. washing up liquid) and a soft cloth. Do not use abrasives or solvents when cleaning this product. Wipe off all water spillages as soon as possible using a soft, damp cloth.

Aftercare Service

In the unlikely event that this product should fail please contact HiB customer services, details shown below.



WEEE compliance

Must not be mixed with general household waste

T: +44 (0)20 8441 0352 F: +44 (0)20 8441 0219 E: sales@hib.co.uk hib.co.uk

Building 3, North London Business Park, Oakleigh Road South, New Southgate, London. N11 1GN

©HiB Copyright: No part of this document may be reprinted or duplicated without HiB consent. All sizes and measurements are approximate, but we do try and make sure they are as accurate as possible. In the interest of continuous product development, HiB reserves the right to alter specifications as necessary. E & OE.