

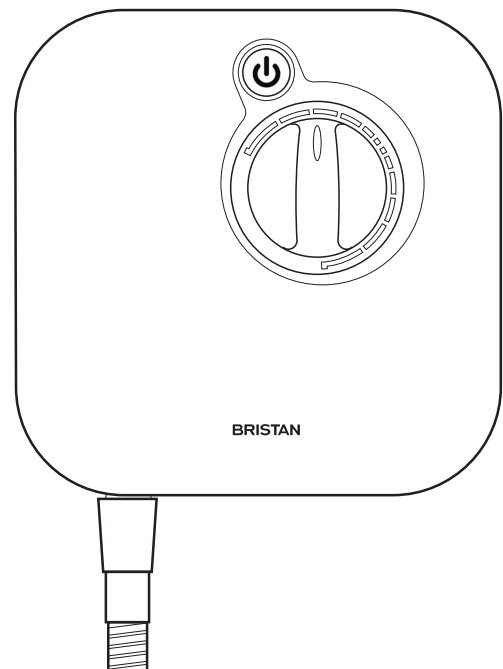
---

# BRISTAN

---

## Installation Instructions and User Guide

Thermostatic Power  
Shower 1000XT



### Models Covered:

HY POWSHX10 W

**Please keep this booklet for future  
reference.**

Installer, when you have read these  
instructions please ensure you leave  
them with the user.

# Contents

## Welcome to your new Power Shower.

It has been designed and tested in the UK to all of the relevant British Standards, including UKCA and CE approval.

These instructions contain all of the necessary installation and operating information, so please read them thoroughly and keep for future reference.

These instructions are for your guidance to a safe and successful installation which we recommend is carried out by a suitably qualified person and must conform with current I.E.E Wiring Regulations (BS7671) and Building Regulations (Part P and Part G).

## Contents


• Important Safety Information	<b>3</b>
• Water Requirements	<b>4</b>
• Electrical Requirements	<b>5</b>
• Product Features	<b>6</b>
• Operating the Shower	<b>7</b>
• Dimensions (mm)	<b>7</b>
• Specification	<b>8</b>
• Prior to Installation	<b>9</b>
• Installation - Plumbing Connections	<b>10-11</b>
• Installation - Electrical Connections	<b>11</b>
• Fixing the Riser Rail to the Wall	<b>12</b>
• Commissioning - Testing the System	<b>13</b>
• Maintenance	<b>14</b>
• Troubleshooting	<b>14</b>
• Spare Parts	<b>15</b>

# Important Safety Information

- **Please read these instructions thoroughly and retain for future use.**

- All products manufactured and supplied by Bristan are safe provided they are installed, used correctly and receive regular maintenance in accordance with these instructions.

- **If you are in any doubt about your ability to install this product safely you must employ the services of an experienced qualified plumber/ electrically qualified person.**

-  **Warning:** Do not operate the shower unit if you suspect it is frozen. Do not site the shower unit where it might be subjected to freezing conditions.

- Do not install this shower unit in a room/environment without adequate ventilation or an extractor fitted. This is required to prevent condensation forming within the unit.

- Do not operate the shower unit if the shower head or spray hose has been damaged or is blocked.


- Do not block the flow of water from the shower head, by placing it (smothering it) on your hand or any other part of your body or foreign object.

- Do not operate the shower if the water stops flowing during use or if the water is leaking from the shower unit itself.

If this occurs, turn off at the mains electrical supply and refer to the Troubleshooting section or contact Bristan Customer Services.

- Always switch off the power at the consumer unit and remove the correct circuit fuse before making any electrical connections, or if you have to remove the cover of an installed unit.

- If the shower unit is fitted in a hard water area, a scale inhibitor may have to be fitted and the filter cleaned regularly. For more advice on obtaining a scale inhibitor, please visit your local merchant or DIY store.

-  **Warning:** This appliance is not intended for use by persons (including children) with reduced physical, sensory or mental capabilities or lack of experience and knowledge, unless they have been given supervision or instruction concerning use of the appliance by a person responsible for their safety.

- Children shall not play with the appliance.

- Cleaning and maintenance shall not be made by children without supervision.

- **Important:** The shower unit must be switched off at the isolating switch (pull cord) when not in use.



**Intertek**

**BEAB  
(British Electrotechnical  
Approvals Board) Approval  
of Safety.**



# Water Requirements



## IMPORTANT

Under no circumstances must the Power Shower be connected to the mains cold water supply, or to a combination boiler, or a pressurised hot water system. All plumbing should be completed before any electrical connections are undertaken.

For correct operation of the Bristan 1000XT Power Shower both hot and cold supplies to the unit must be gravity fed, at nominally equal pressures, from a cold water storage tank and hot water storage cylinder.

Please ensure compliance with all Water Regulations.

Please ensure maximum supply head of 10 metres (1 bar), minimum 1 metre (0.1 bar).

It is recommended that the hot water supply is at a temperature of 60°C, in line with British Standard 6700, British Water Regulations, and Plumbing Code of Practice.

Do not use jointing compounds, or solder within 300mm of the unit.

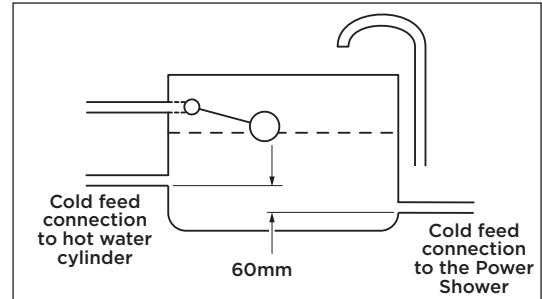
Before proceeding with the installation of this unit, check that your site requirements allow the shower unit and handset when positioned on the wall to be a minimum of 1 metre below the bottom of the cold water storage tank.

The unit can be connected to a combination cylinder system providing it has cold water storage capacity of 112 litres (25 gallons).

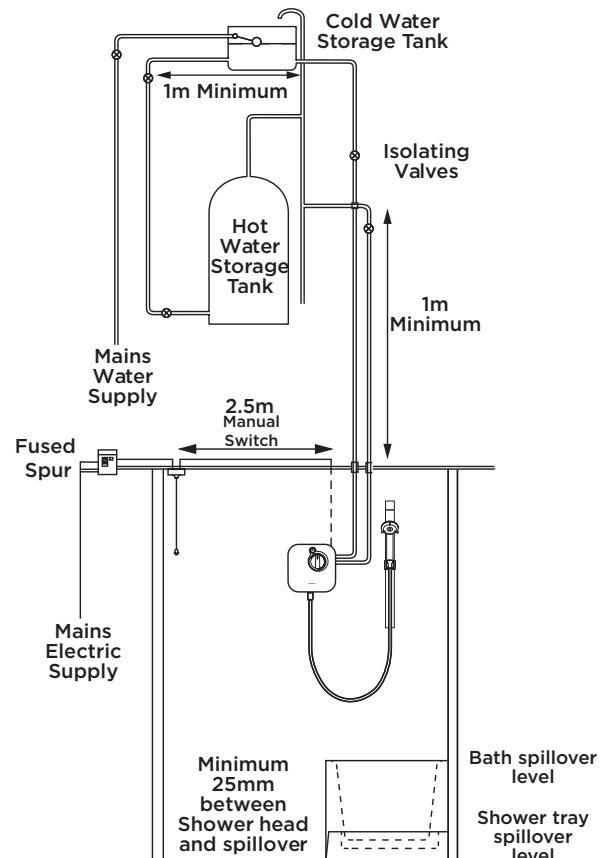
Do not run pump dry as this will damage the internal seals and invalidate the warranty.

All pipe work to the unit should be 15mm. Non-restrictive isolating valves must be fitted on hot and cold supply pipes. When connecting pipe work avoid using elbows: sweep or formed bends will ensure optimum performance.

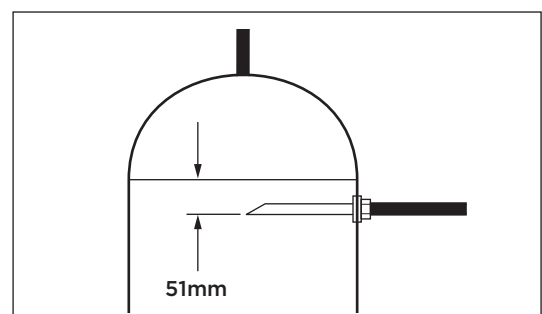
The temperature of your stored water must not exceed 65°C. A stored water temperature of 60°C is considered sufficient to meet all normal requirements in line with the British Standard 6700.



Water Tank Detail



Typical Power Shower Installation



Cylinder Flange

# Electrical Requirements

The shower must be connected to a 230/240 volt. A.C. electrical supply from a 13-amp ring main, via a fused double pole switch with at least 3mm contact separation.

The manual switch is to be clearly identifiable, with a minimum distance of 2.5m from a fixed tap or shower, i.e. mounted in an adjacent room or via a ceiling-type pull cord. It should be fused at no more than 3 amps.

This appliance must be earthed, and all associated metal pipe work earth crossbonded in line with current I.E.E. regulations.

As the colours of the wires in the cable (not supplied) used to connect to this appliance may not correspond with the coloured markings identifying the terminals in your switch, please follow the procedure below:

Please use the cable entry point provided. Failure to comply will eliminate any BEAB approval.

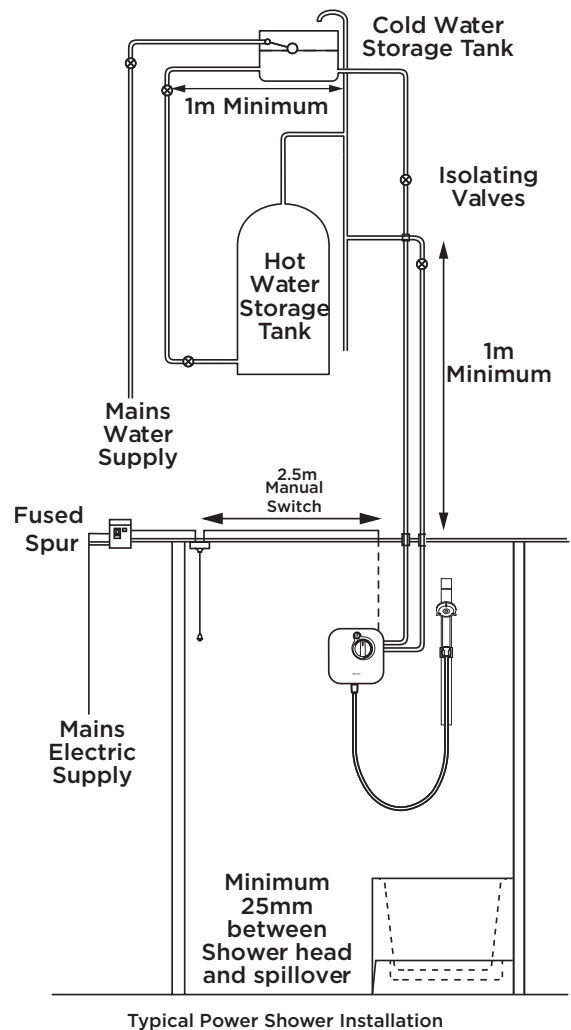
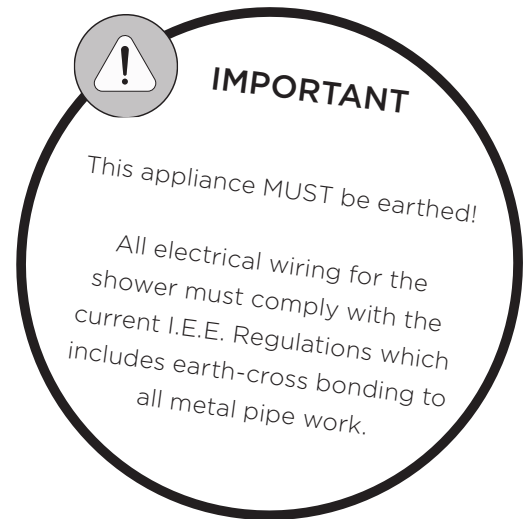
## Procedure

The wire, which is coloured Blue or Black, must be connected to the terminal that is marked with the letter N.

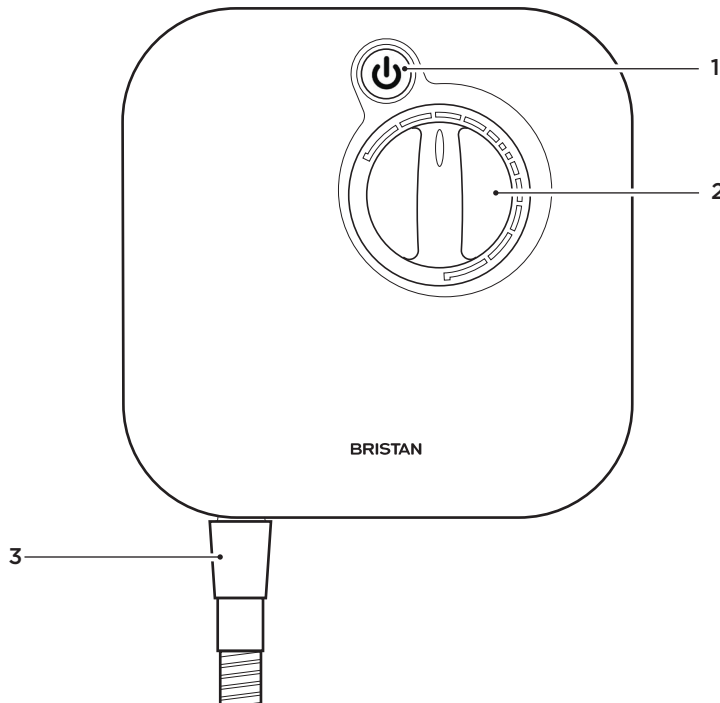
The wire, which is coloured Brown or Red, must be connected to the terminal that is marked with the letter L.

The wire, which is coloured Green or Yellow, must be connected to the terminal that is marked with the earth symbol  $\oplus$ .

The installation and wiring must comply with I.E.E regulations.



# Product Features



## 1. Push Button STOP/START Switch

Electronic switch

## 2. Temperature Control

Adjustable Temperature Control

## 3. Hose outlet

Shower hose outlet

## Handset

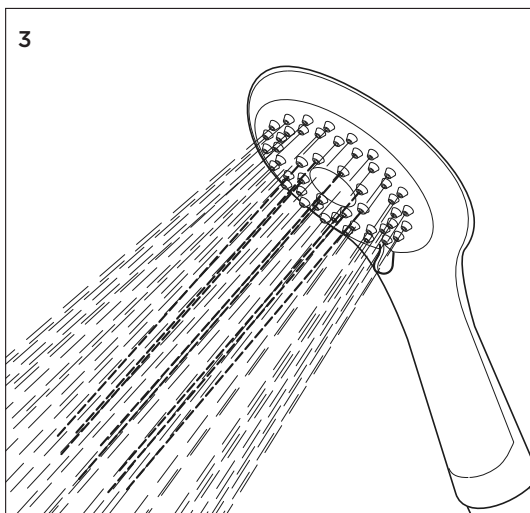
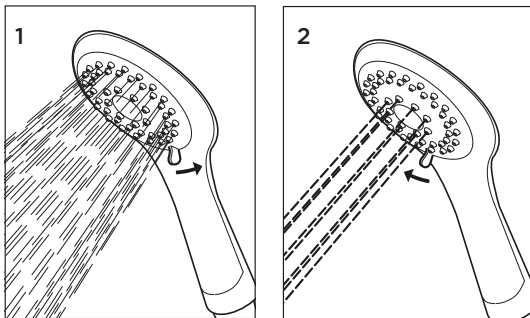
The Handset has three spray modes:

1. Spray
2. Jet spray
3. Combination spray

To select the desired showering mode, simply rotate the spray head one way or the other to the desired spray pattern.

## Rub-Clean Handset

To remove any build up of limescale from your handset, remove it from its holder and rub your fingers over the rubber spray jets. Turn the shower on and any build up of limescale will be flushed out of the handset.



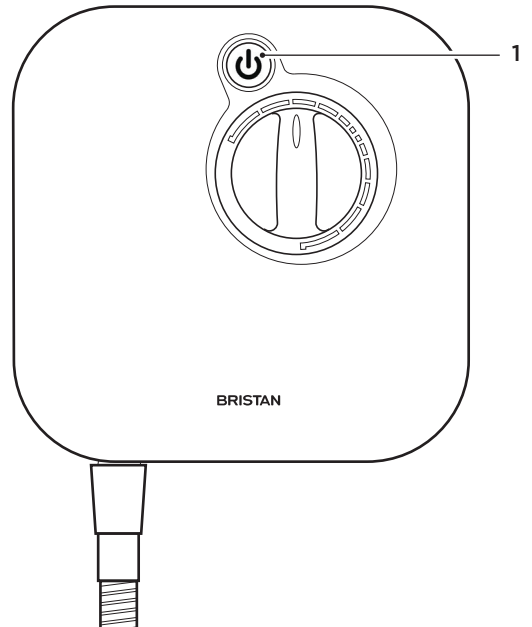
# Operating the Shower

To operate the shower ensure the temperature control knob is set approximately to the '12 o'clock' position and press the stop/start button (1).

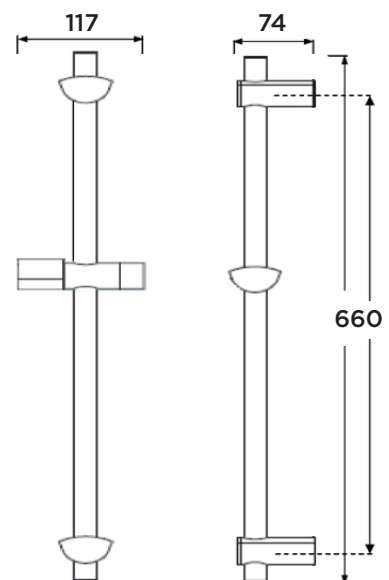
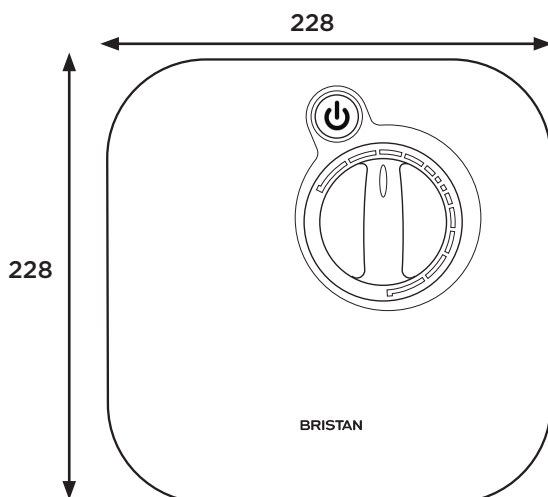
For a hotter shower turn the control knob anti-clockwise, for a cooler shower turn it clockwise.

Setting the knob in the same position in future will give the same showering temperature.

The handset holder has a friction grip on the rail and simply slides up and down to adjust the height. The angle of the handset can also be adjusted.



## Dimensions (mm)



### Why not Visit our Youtube Channel?

To see our latest how-to videos, simply scan the QR code with your smart phone or tablet.



Alternatively visit [www.youtube.com/bristantv](http://www.youtube.com/bristantv)

### Spare Parts

To replace any spare parts for your shower why not scan the below QR Code and search for your product.



Alternatively visit [www.bristan.com/search](http://www.bristan.com/search)

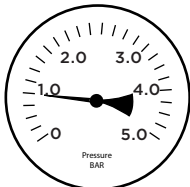
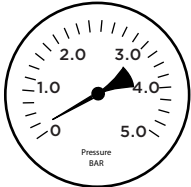
# Specification

## Specifications

### Working Pressures

Min: 0.1 Bar

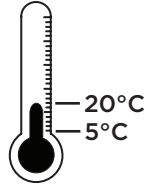
Max: 1.0 Bar



Maximum Static Pressure: 1 Bar

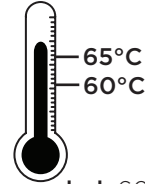
### Inlet Water Temperature

#### Cold Water Supply



Min: 5°C Max: 20°C

#### Hot Water Supply

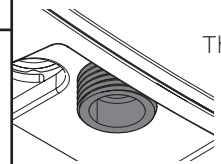


Recommended: 60°C  
Max: 65°C

### Inlet Connection



Outlet Connection  
1/2" BSP Male Threaded



### Recommended Usage

Domestic



Heavy Commercial



Light Commercial



Healthcare

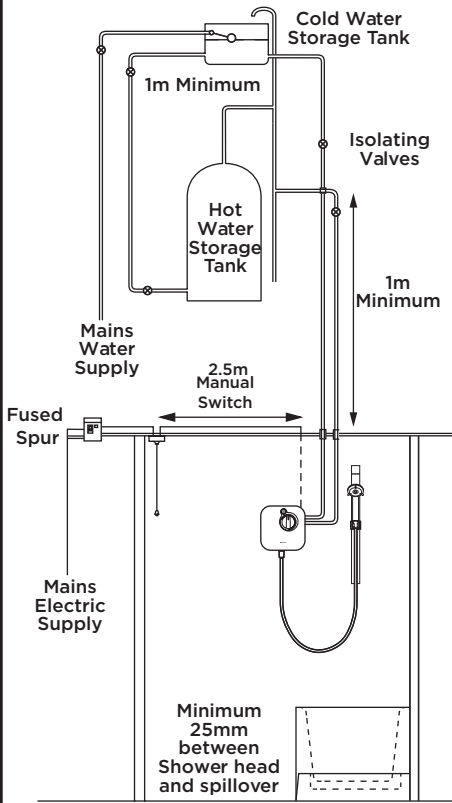


Multi-Function Handset

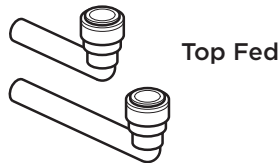


### IMPORTANT

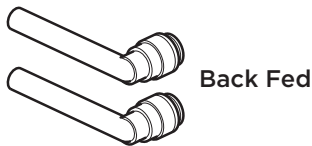
Suitable for low pressure, gravity fed water systems only



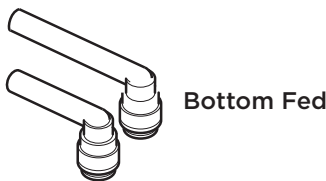
### Water Inlet Entry Points



Top Fed

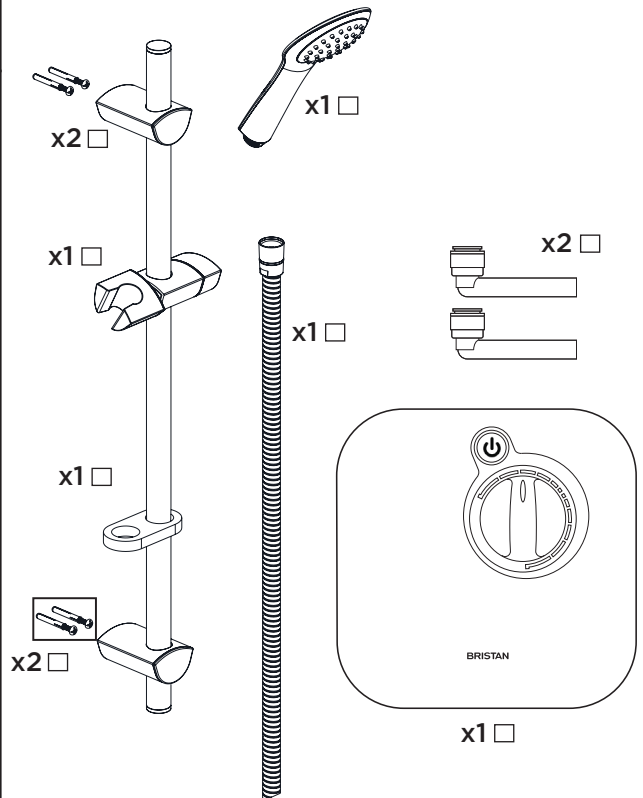


Back Fed

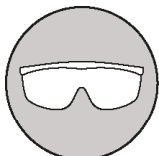


Bottom Fed

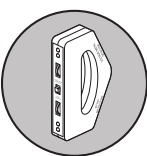
## Pack Contents



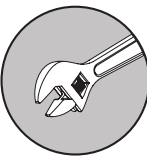
## Tools You'll Need



Safety Glasses



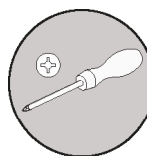
Detector



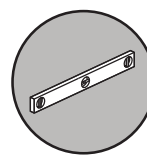
Adjustable Spanner



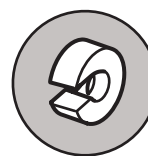
Cordless Drill



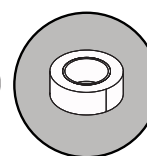
Cross Head Screwdriver



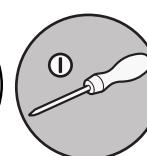
Spirit Level



Pipe Cutter



Masking Tape



Flat-head Screwdriver



# Prior to Installation

Please note that this product comes packaged with the front cover and control knobs already in place. These have to be removed to install the shower. Please follow the procedure below.

## Removing Cover

1. Temperature Control Knob
2. Screws (x3)

Pull off control knob (1).

Remove all three fixing screws (2). The cover can now be slowly removed - care should be taken not to strain wiring which is attached to the front cover.

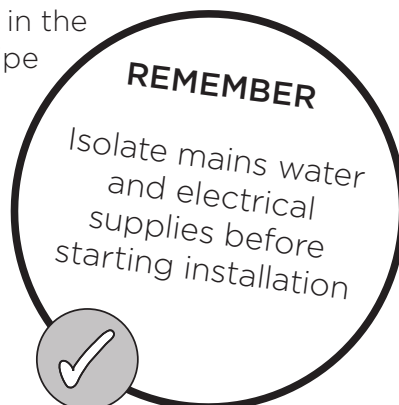
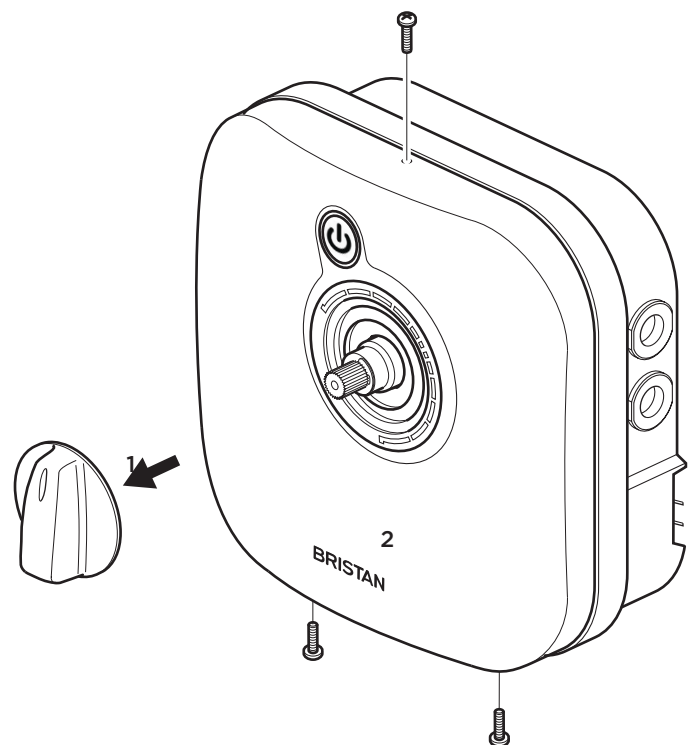
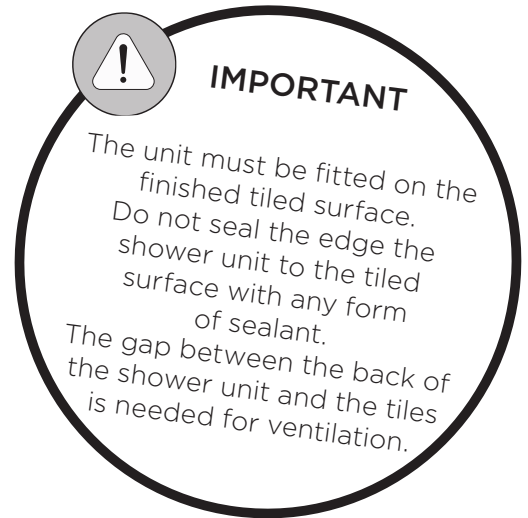
This procedure can be reversed to replace the front cover and control knob after installation to the wall.

We recommend that the shower unit is fitted at chest height, and set to one side of the intended riser rail position, ensuring that the position of the shower handset when positioned on the wall is at least 1 metre below the cold water storage tank.

The outlet connection for the hose should be sited at the bottom of the unit.

The integral fittings on the valve are of the self-seal push-fit type. Ensure that all burrs are removed from the ends of the supply pipes. Where chromium plated pipe is used then the first 25mm of chrome must be roughened or removed to ensure that the push fit fittings in the supply retain the pipe in position.

The inlet elbows supplied are of a standard length, in some cases these will need to be shortened for correct installation.



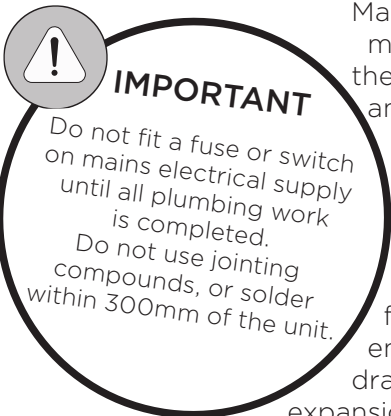
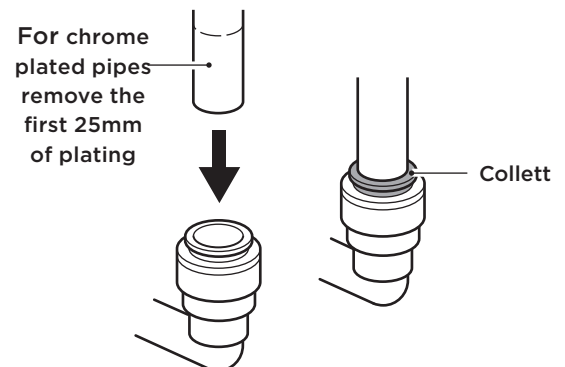
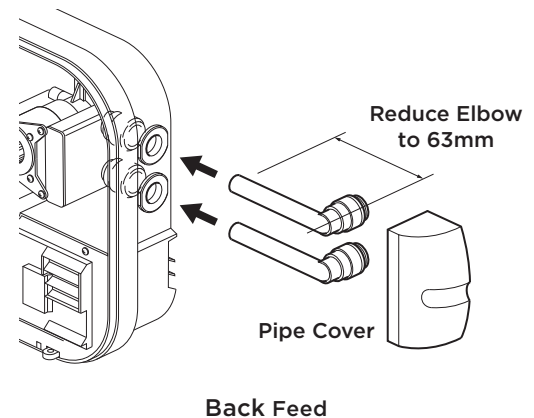
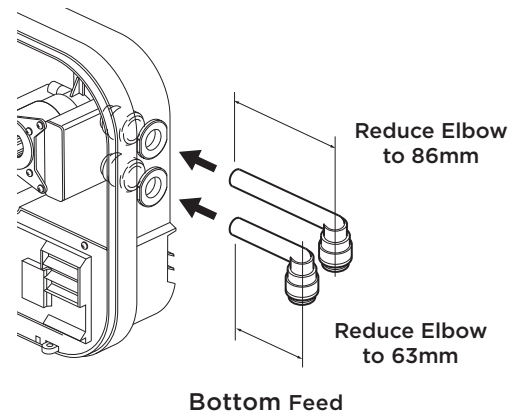
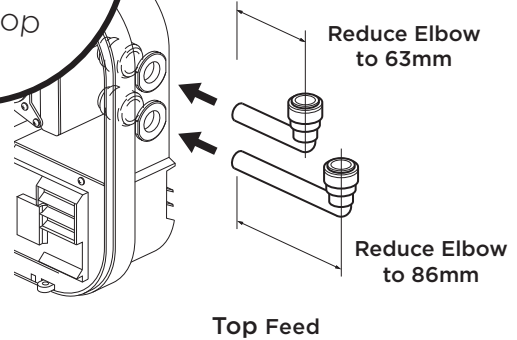
# Installation - Plumbing Connections

**Connecting pipework can feed from above or below the unit, or straight through the wall at nominal centres of 40mm.**

If exposed pipe work is the chosen option, the pipes enter the unit on the right hand side with the cold on the top. The pipe centres are 40mm apart, and need to penetrate the mixer connections to a depth of 25mm.

If the pipe work is to be back fed, it should be let into the wall with the ends of the hot and cold pipes standing 25mm off the finished surface of the wall, and centres 40mm apart, with the cold above the hot.

Position the unit on the wall and mark the fixing hole positions. Drill and secure to wall using appropriate fixings (not supplied).



Make the necessary measurements, remove the unit from the wall, and bring the pipe work and wiring to finished positions.

Make the hot water connection into the hot water supply pipe from the cylinder, ensuring that it is the first draw off (below the expansion tee), to minimise

the effects of water drawn off elsewhere in the house, and a minimum of 1 metre below the base of the cold water storage tank. If connection to the hot water storage pipe is not possible, a cylinder flange type connection may be used.

Make the cold water connection into the base of the cold water storage tank, 60mm below the level of the cold water take off to the hot water cylinder. Run hot and cold pipe work to the unit position.

Flush out the pipe work to ensure that no debris enters the unit. Cut the inlet elbows to the required length.

# Installation - Plumbing Connections

Locate the inlet elbows into the mixer valve inlets by pushing firmly through the rubber grommets until pipe stop is felt.

Hold the unit on the wall and mark the pipe work to the appropriate length.

Cut the pipes and remove all burrs. Push the unit and elbows firmly onto the pipes until the stop is felt.

Release unit from pipes by pressing the collets on the elbow fittings, and pulling the unit off the pipe work.



## IMPORTANT

This appliance **MUST** be earthed!

All electrical wiring for the shower must comply with the current I.E.E. Regulations which includes earth-cross bonding to all metal pipe work.

# Installation - Electrical Connections



## IMPORTANT


Do not fit a fuse or switch on mains electrical supply until all plumbing work is completed.  
Do not use jointing compounds, or solder within 300mm of the unit.

**Warning!**  
Please check for any hidden pipes and cables before drilling holes in the wall.

Bring a supply cable (to conform to I.E.E. regulations) from the switch to the unit position.

The cable can enter the unit from the rear, or via channels in the base of the unit, and the bottom or the right hand side.

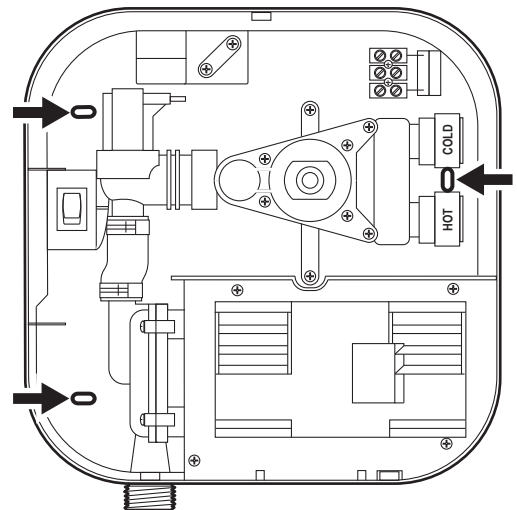
Feed the supply cable in to the unit but do not connect. Refit unit to pipes and secure to wall using appropriate fixings (not supplied).

Connect the wire which may be coloured Brown or Red to the terminal marked **L**. Connect the wire which may be coloured Black or Blue to the terminal marked **N**. Connect the wire which may be coloured Yellow/Green to the terminal marked 

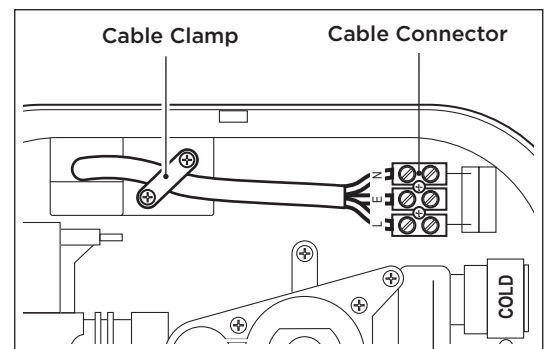
Secure into position with the cable clamp and tighten the two fixing screws.

Do not fit the front cover at this stage refer to the commissioning procedure.

**Note: If the electrical supply cable is concealed in the wall ensure that it avoids the unit's fixing points so that fixing screws do not pierce the cable.**



Wall Fixing Points



Electrical Connections

# Fixing the Riser Rail to the Wall

When working near a basin, bath or shower insert plug or cover waste to prevent losing small parts.

Take care not to drop tools/equipment into basin, bath or shower during shower installation.

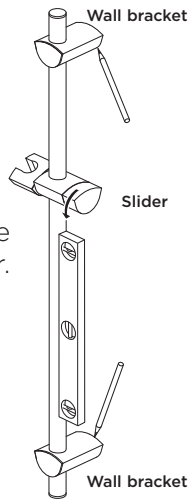
**Note:** If replacing an existing riser rail, check to see if the existing holes can be reused or covered by the new wall brackets. Try to avoid drilling close to the edge of tiles, drill in the middle of the tiles or in the tile joints.

1

Position the assembled riser rail on the wall, bearing in mind the different heights of people likely to use the shower and the length of the hose when connected to the shower.

With the riser rail vertical, mark the wall bracket positions onto the wall.

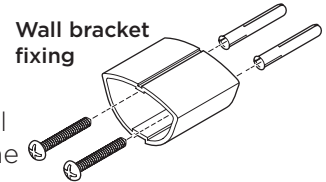
Release the slider handle and remove the slider and wall brackets from the rail.



2

Position the wall bracket fixings in the marked positions against the wall, ensuring they are vertically in line with each other and mark the centres of the fixing holes onto the wall.

Drill suitable holes and insert the wall plugs. Securely attach the wall bracket fixings to the wall using the screws.

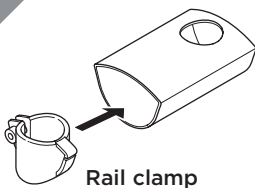


**REMEMBER**

Check for any hidden pipes and cables before drilling!



3

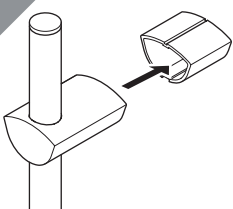


Insert the rail clamps into both wall brackets, ensuring the screw is accessible.

5

Centre the riser rail within the wall brackets and tighten both clamps onto the rail.

6



Slide the wall brackets over the wall bracket fixings. Tighten the grub screw on the under side of each wall bracket using a 2.5mm hexagonal key.

7

Screw the shower hose (ribbed nut end) onto the shower ensuring that the rubber washer is fitted and feed the hose through the hose retainer.

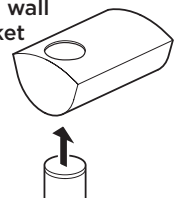
4

Push the riser rail up through the bottom wall bracket.

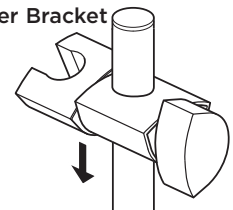
Push the slider down onto the riser, ensuring it is correct way up.

Then push the top wall bracket down onto the riser rail.

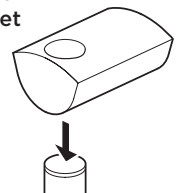
Bottom wall Bracket



Slider Bracket



Top Wall Bracket



8

**Your shower is now ready to be commissioned for first use.**

# Commissioning - Testing the System

With the front cover removed ensure the black 'purge/shower' switch inside the base is switched to purge. This enables water to flow without the pump running which is necessary in the following commissioning process.

Fit the front cover as shown in 'Prior to Installation'.

Push the temperature control knob onto the spindle with the marker pointing to the '12 o'clock' position.

Connect the shower hose to the unit but do not fit the handset.

Turn on the hot and cold isolating valves, and the electricity-isolating switch. Place the open end of the hose in the bath or shower tray.

Set the temperature control knob to fully cold (marker at '6 o'clock' position) and press the 'stop/start' button. The pump will not operate but the water should run.

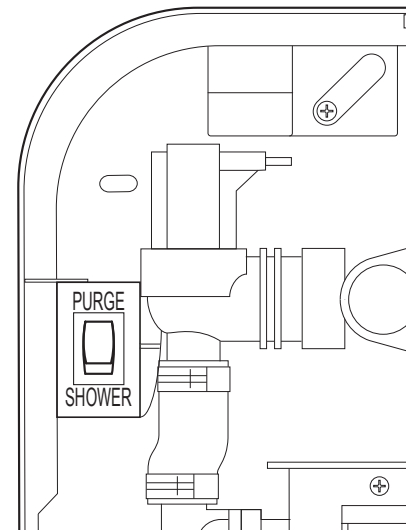
Cold water will run from the hose, and you should allow this to continue for two minutes after which the control knob should be returned to the '12 o'clock' position. Allow the water to run for a few minutes to stabilise the hot water flow.

Turn off the electricity at the isolating switch and remove the knob and cover. Switch the black 'purge/shower' switch to shower and refit the cover and knob ensuring the marker on the knob points to the '12 o'clock' position.

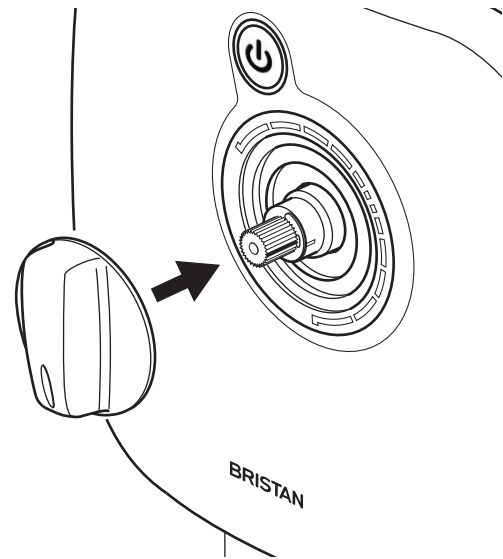
Turn on the electricity at the isolating switch.

Your shower is now ready to run. Press the stop/start button on the front cover to operate the shower, which will work as a power shower.

It is intended that the temperature knob aligned to the '12 o'clock' position you should get a comfortable shower temperature. If however the shower is too hot or cold remove the control knob and adjust the brass spindle anti-clockwise to increase the temperature - clockwise to decrease. When the desired shower temperature is achieved replace the knob with the marker pointing to the '12 o'clock' position.



**Purge/shower Switch**



**Temperature Adjustment**

# Maintenance

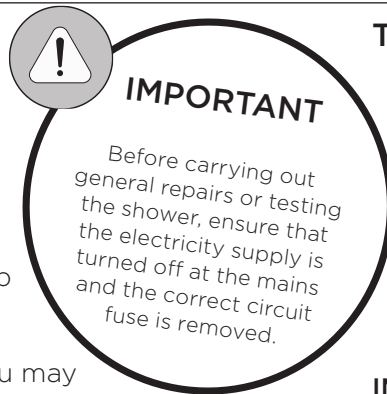
## Cleaning

Do not at anytime use bath cleaning liquids, powders or specified scratch cleaners on any surface finishes. In order to avoid surface wear or chemical attack on any of your shower fittings when cleaning, always use a damp cloth.

For persistent stains or marks, you may use domestic liquid or soap.

The hardness of the water in your area will determine how often you should clean your shower head. Build up of scale in particularly hard water areas combined with constant use means you may need to clean your shower head once a week.

To ensure continued performance of your electric shower the shower head needs to be regularly de-scaled.



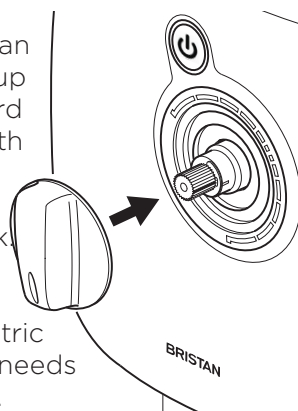
## Temperature Adjustment

The valve allows the maximum showering temperature to be set at a safe level, preventing accidental scalding.

This setting should be made during commissioning and will require that the hot water cylinder is at its normal operating temperature.

### IMPORTANT:

The handset must be in spray mode.



Temperature Adjustment

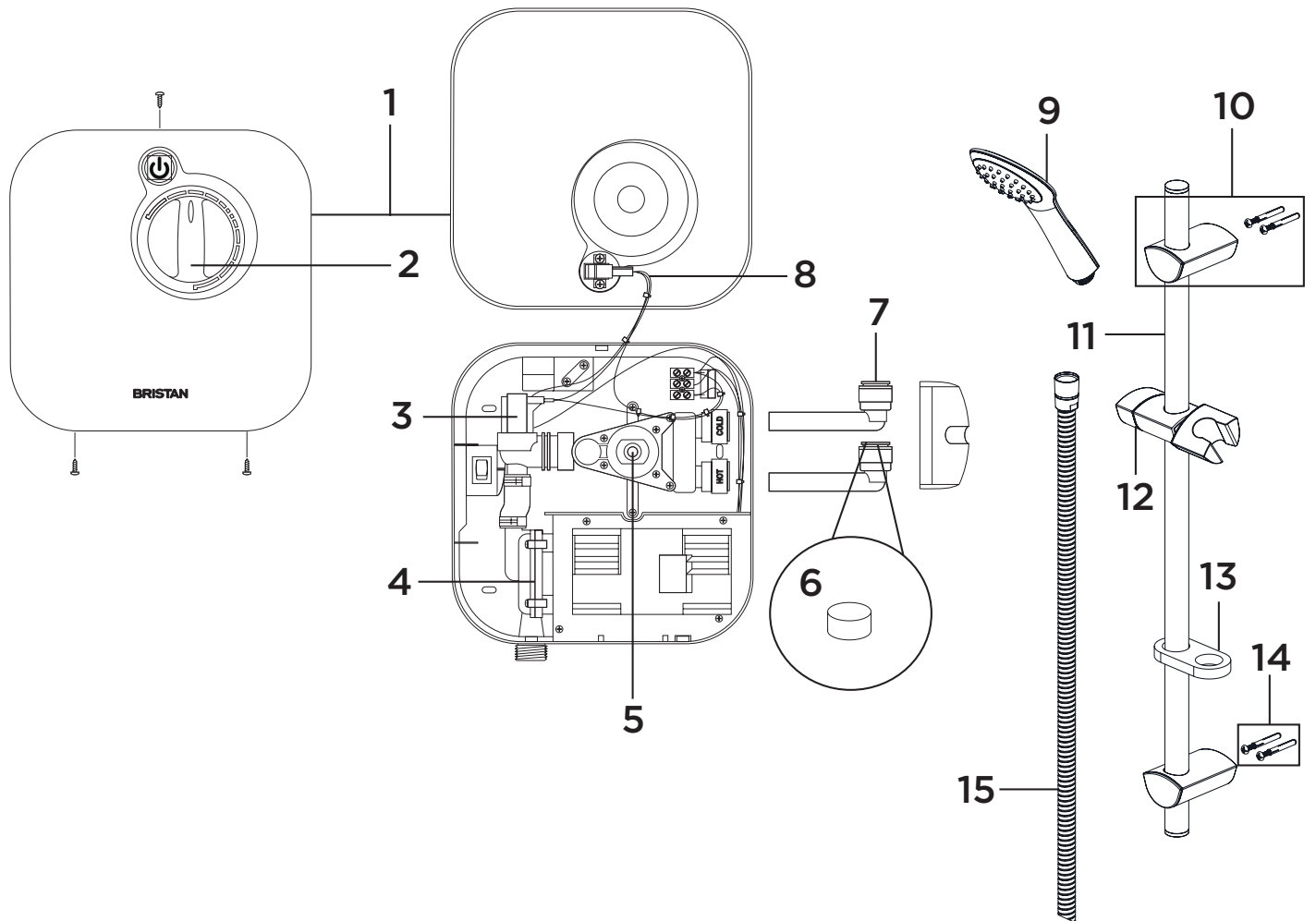
We recommend reading the 'Operating the Shower' section before proceeding further.

Turn the brass mixer valve spindle fully clockwise, and then anti-clockwise until the black line on the spindle is aligned with the groove on the mixer body, and fit the control knob in the fully cold position. Check that it is correctly fitted by turning fully clockwise to the stop, pull the knob off and check that the black line and groove are aligned. Adjust if necessary. This sets the shower temperature to 38-40°C, with the control knob pointing to '12 o'clock', if the stored hot water is at the recommended 60°C.

# Troubleshooting

Symptom	Likely Cause	Action/Remedy
<b>Pump not operating but water is flowing</b>	Purge/shower switch switched to purge	Isolate electrical supply, remove cover and switch to shower
<b>Pump not operating and no water is flowing</b>	No electricity supply to unit	Check all fuses and electrical supply
<b>Pump operates but no water is flowing</b>	No water supply to unit	Check isolating valves are turned on Check cold-water storage tank has not run dry
<b>Poor performance</b>	Restrictions in water supply Pump may have overheated Unit may be incorrectly installed	Check both hot and cold isolating valves are fully open Allow unit to cool and retry Check that the top of the shower handset is at least 1 metre below the base of the cold water tank

# Spare Parts



No.	Part No.	Description	Qty
01	COVER-1000HY-WT	Front Cover Assembly	1
02	SP-087-0505-WT	Control Knob	1
03	SP-087-0230	Solenoid Valve	1
04	SP-087-0110	Pump Unit	1
05	SP-087-0155	Mixer Valve	1
06	490-0141	Non-Return Valve	1
07	086-0060	Long Elbow Assembly	1
08	SP-087-0231	Wiring Loom	1
09	HAND125 WC	Handset White & Chrome	1
10	100048	Wall Bracket	1
11	100050	Riser Rail	1
12	100049	Slider	1
13	SK100052	Hose Retainer	1
14	100051	Fixing Kit	1
15	HOS 150CN01 C	1.5m Hose	1

**Need help? Give us a call on 0330 026 6273 and speak to one of our trained advisors. 15**

Issue: D10

Part Number: HY POWSHX10 W

# **BRISTAN**

## **Bristan Group Ltd.**

**UK:** Bristan Group, B78 1SG.

**EU:** Masco Europe S.à.r.l.

14 Rue Strachen

6933 Mensdorf

Luxembourg

**Customer Service:** +44330 026 6273

**Web:** [www.bristan.com](http://www.bristan.com)

**Email:** [enquire@bristan.com](mailto:enquire@bristan.com)

## **A Masco Company**

At Bristan, we want to make things as easy as possible for our customers. That's why we offer solid guarantees on all our products, effective from the date of purchase, to give you peace of mind.

To start your free guarantee simply scan the QR code and register your product.  
Alternatively visit [www.bristan.com/register](http://www.bristan.com/register).

For any other queries, please call our Customer Service on 0330 026 6273 where our expert team of advisors will be able to offer you any help and advice.

For full guarantee terms and conditions visit [www.bristan.com/service-centre/guarantees](http://www.bristan.com/service-centre/guarantees).



*We Know & We Care*