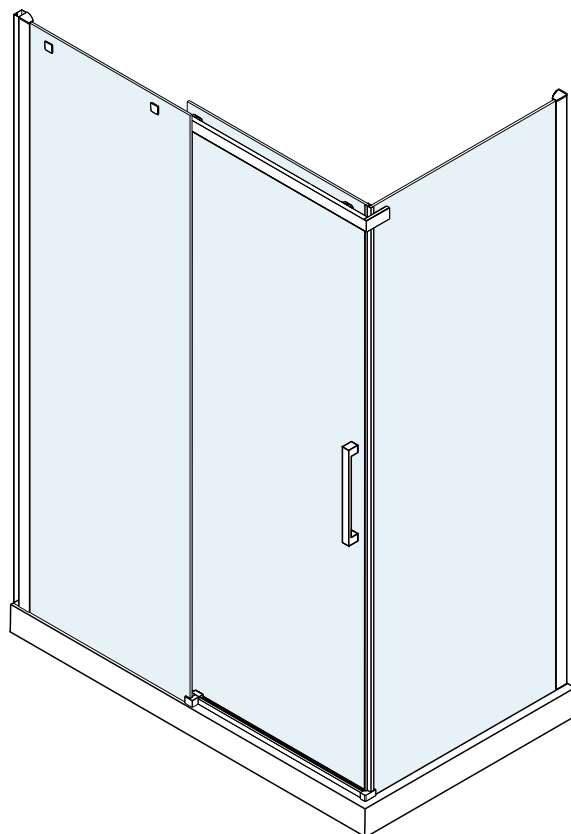


SLIDING DOOR



Page 3

SLIDING DOOR WITH SIDE PANEL



Page 15

INSTALLATION GUIDE

IMPORTANT:
Please read the complete instructions before commencing fitting.

Please familiarise yourself with the fitting instructions before commencing fitting.
Make sure the tray is 100% level in all directions.

- 1 Check that you have the tools required
- 2 Check that the installation site is compatible
with size of door supplied
- 3 Check all the enclosure components
- 4 Check that the installation kit is complete

DO NOT attempt to install the product unless you can tick **ALL 4** boxes as satisfactory.

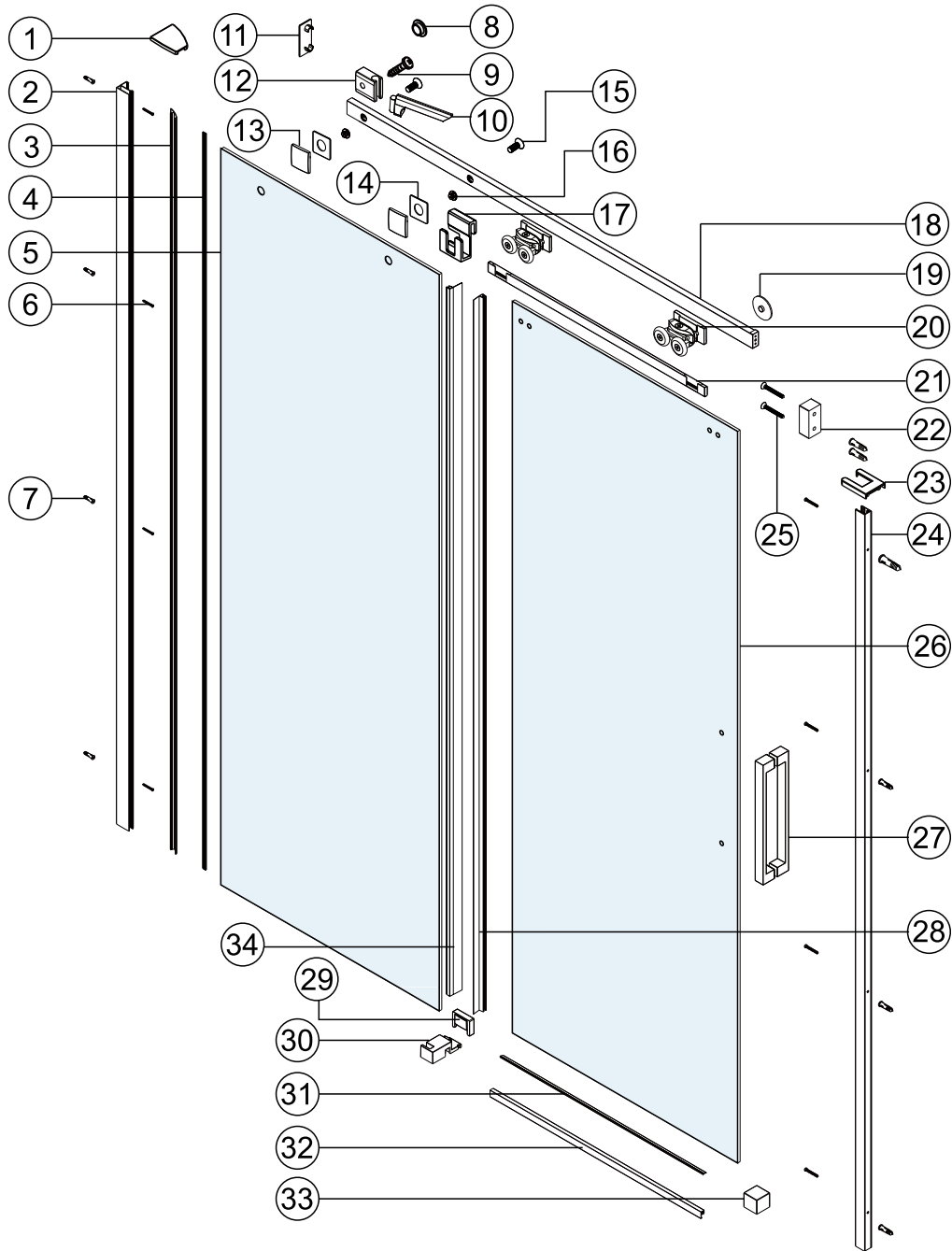
The wall plugs supplied with the installation kit are for use in solid walls. Hollow or 'stud - partition' walls will require alternative fixings. Please consult a hardware supplier for the correct type.

It may also be necessary to consult your tiling supplier about the correct method for drilling your tiles.

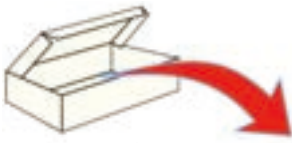
ATTENTION: TAKE EXTREME CARE WHEN HANDLING GLASS, WEAR PROTECTIVE EYEWEAR AND CLOTHING. DO NOT LEAVE THE GLASS ON HARD SURFACES AND AVOID CONTACT BETWEEN THE GLASS EDGES AND HARD SURFACES OR IMPACTS DURING THE INSTALLATION.

Any parts missing or damaged must be reported to your supplier within 5 days of purchase. Inspect shower enclosure before fitting. No claims will be accepted after product has been installed.

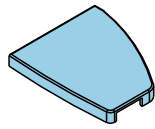
Size	Adjustment	Opening space
1000	950-990	365
1100	1050-1090	415
1200	1150-1190	465
1300	1250-1290	515
1400	1350-1390	565
1500	1450-1490	565
1600	1550-1590	565
1700	1650-1690	565



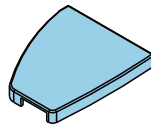
No.	Qty	Description	Part No.	No.	Qty	Description	Part No.	No.	Qty	Description	Part No.
①	1	Cover cap	A01S0141	⑬	2	Rail fixing branded /Unbranded	A01S0401 A01S0400	⑳	2	Screw 4x50	A01S0158
②	1	Wall profile	A01S0109	⑭	2	Rail fixing washer	A01S0402	㉑	1	D	D
③	1	Cover strip	A01S0115	⑮	2	Rail fixing screw	A01S0404	㉒	1	Handle	A01S0126
④	1	Wedge gasket	A01S0154	⑯	2	Rail fixing washer	A01S0412	㉓	2	Door panel upright seal	A01S0151
⑤	1	A	A	⑰	1	Rail installation tool	A01S0405	㉔	1	Bottom guide cover cap	A01S0135
⑥	8	Screw 4x30	8S410044	⑱	1	B	B	㉕	1	fixed panel guide	A01S0261 A01S0134
⑦	10	Wall plug	8SSJ066	㉑	1	Cover cap	A01S0167	㉖	1	Bottom seal	A01S0152
⑧	1	Roller stop cap	A01S0140	㉒	2	Roller	A01S0125	㉗	1	Luna rail	A01S0119
⑨	1	Roller stop screw	A01S0156	㉓	1	C	C	㉘	1	Closing post footplate	A01S0136
⑩	1	Roller stop	A01S0703	㉔	1	Rail extension block	A01S0146	㉙	1	Fixed panel upright seal	A01S0151
⑪	1	Rail cap	A01S0137	㉕	1	Post cover cap	A01S0142				
⑫	1	Roller stop frame	A01S0138	㉖	1	Closing post	A01S0114				



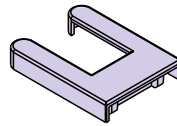
Fixing Kit



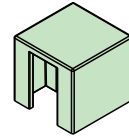
A01S0141 R
×1



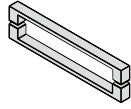
A01S0141 L
×1



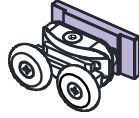
A01S0142
×1



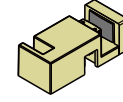
A01S0136
×1



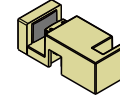
A01S0126
×1



A01S0125
×2



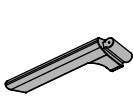
A01S0134 R
×1



A01S0261 L
×1



A01S0135
×1



A01S0703
×1



A01S0138
×1



A01S0140
×1



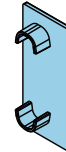
A01S0412
×2



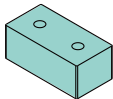
A01S0402
×2



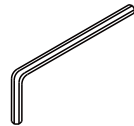
A01S0401 / A01S0400
×2



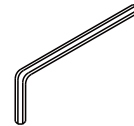
A01S0137
×1



A01S0146
×1



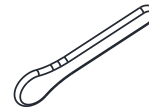
4mm
A01S0149
×1



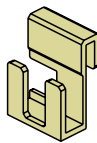
2.5mm
8S1300511
×1



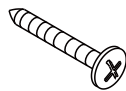
A01S0167
×1



A09S0052
×1



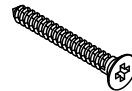
A01S0405
×1



4x30
8S410044
×8



4x9
A01S0156
×1



4x50
A01S0158
×2



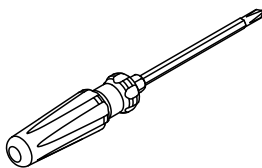
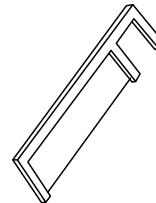
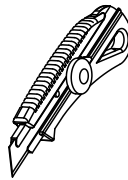
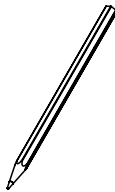
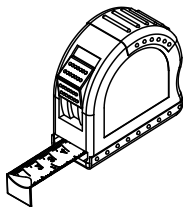
6x15
A01S0404
×2



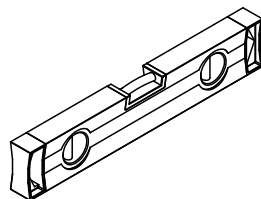
8SSJ066
×10



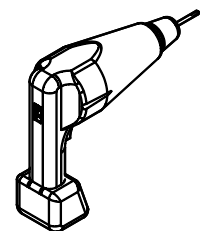
Tools required

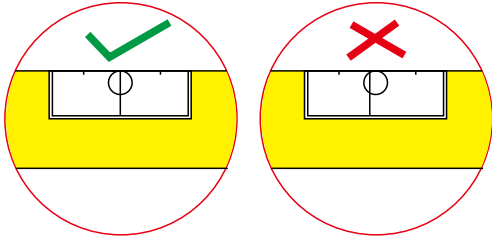


PH2



Φ6

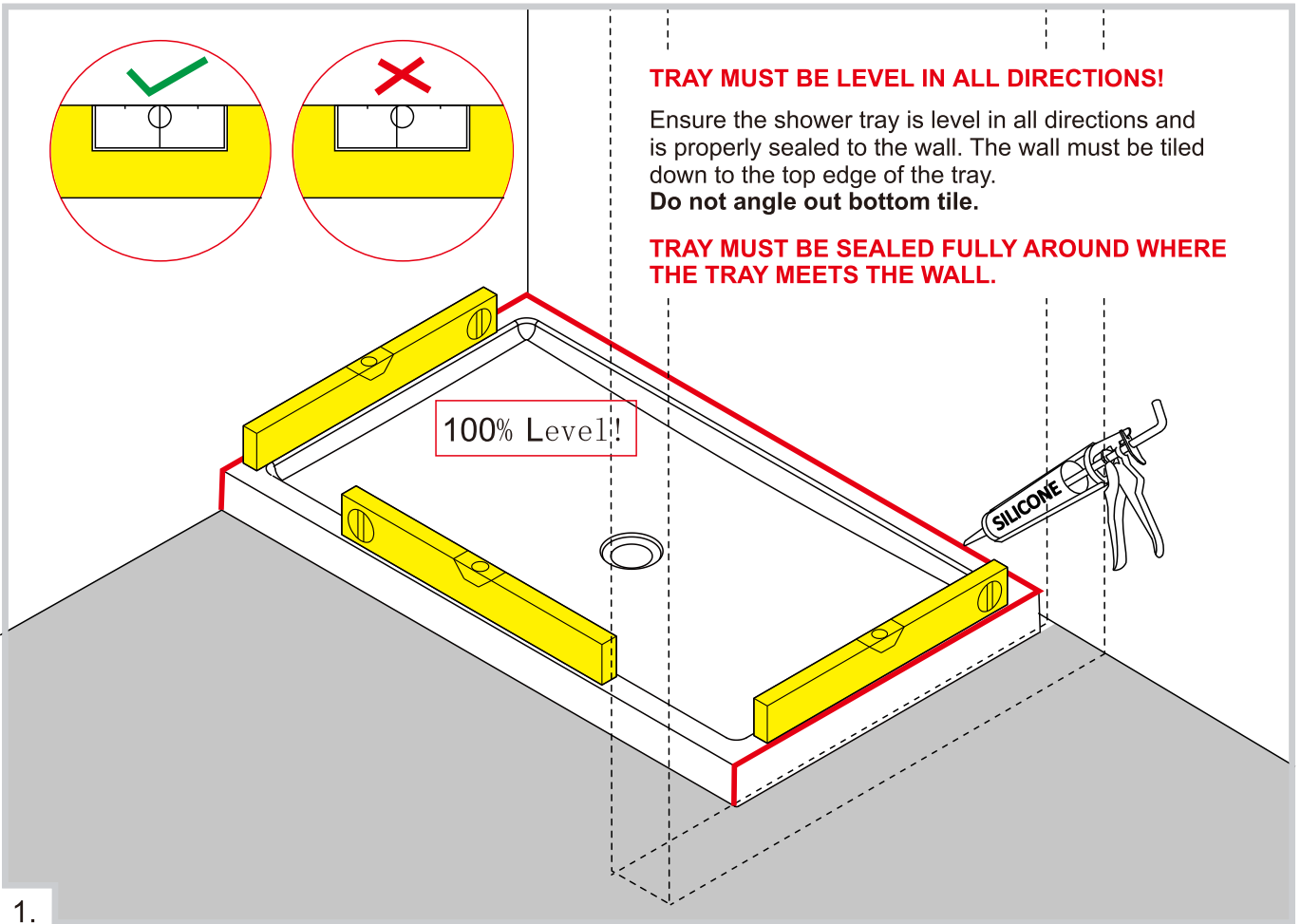




TRAY MUST BE LEVEL IN ALL DIRECTIONS!

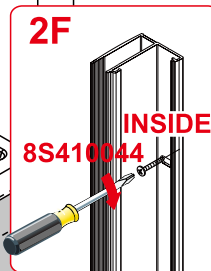
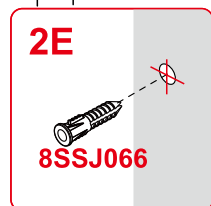
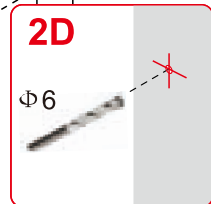
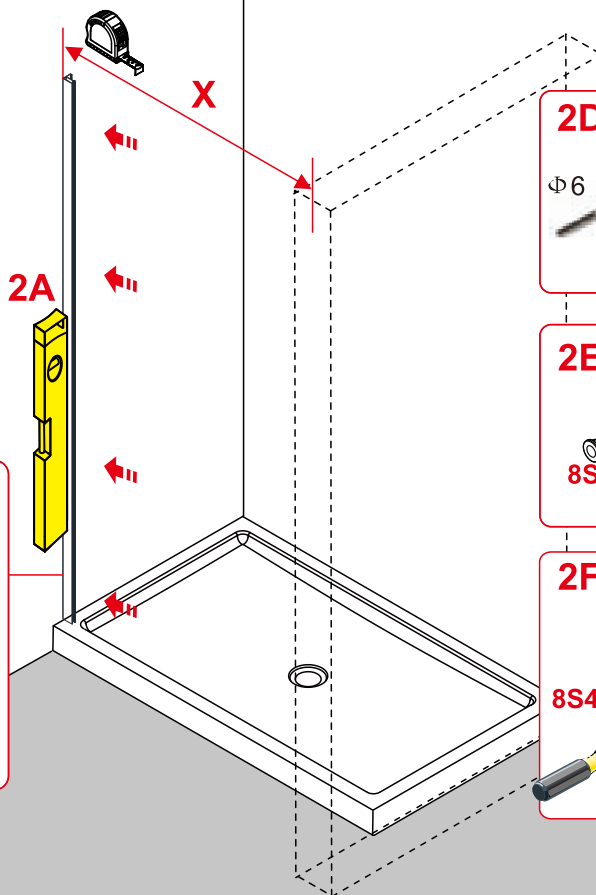
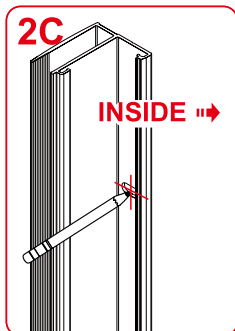
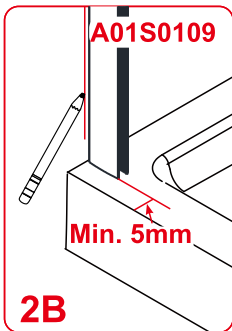
Ensure the shower tray is level in all directions and is properly sealed to the wall. The wall must be tiled down to the top edge of the tray.
Do not angle out bottom tile.

TRAY MUST BE SEALED FULLY AROUND WHERE THE TRAY MEETS THE WALL.

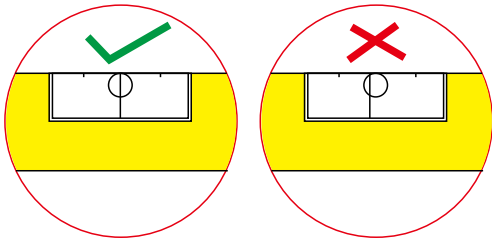


1.

Size	X
1000	950-990
1100	1050-1090
1200	1150-1190
1300	1250-1290
1400	1350-1390
1500	1450-1490
1600	1550-1590
1700	1650-1690



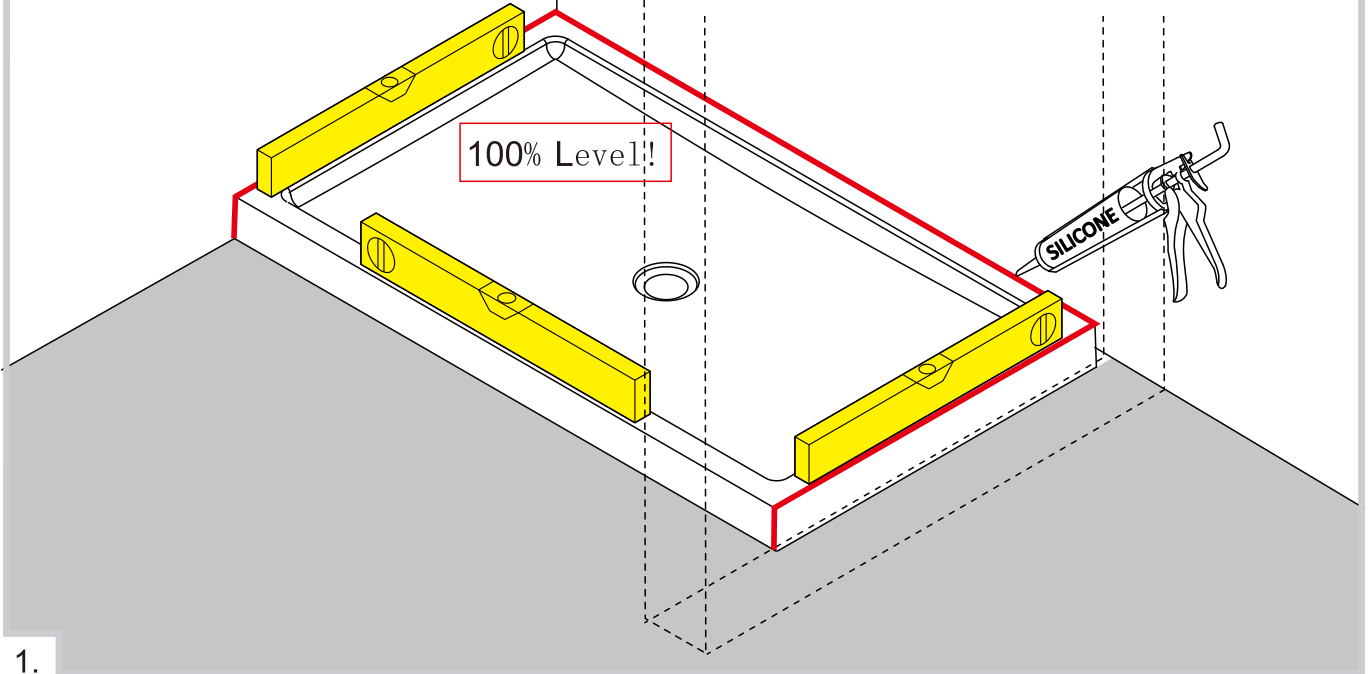
2.



TRAY MUST BE LEVEL IN ALL DIRECTIONS!

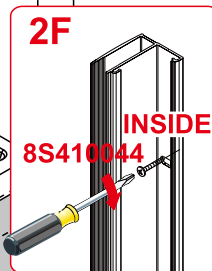
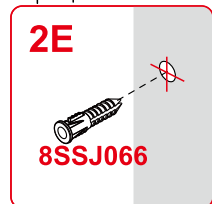
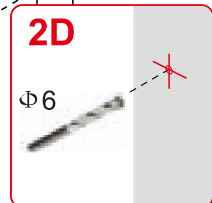
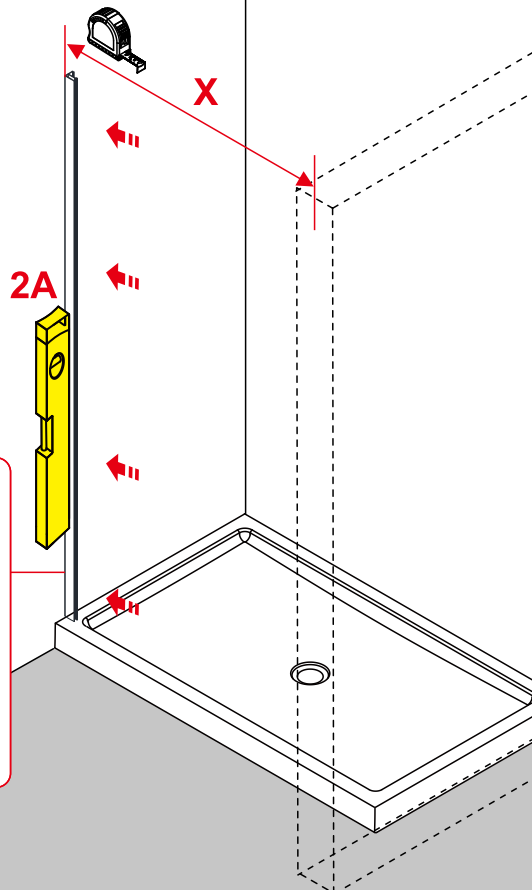
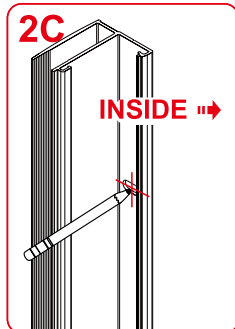
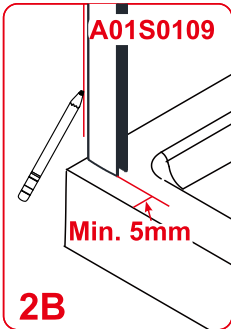
Ensure the shower tray is level in all directions and is properly sealed to the wall. The wall must be tiled down to the top edge of the tray.
Do not angle out bottom tile.

TRAY MUST BE SEALED FULLY AROUND WHERE THE TRAY MEETS THE WALL.

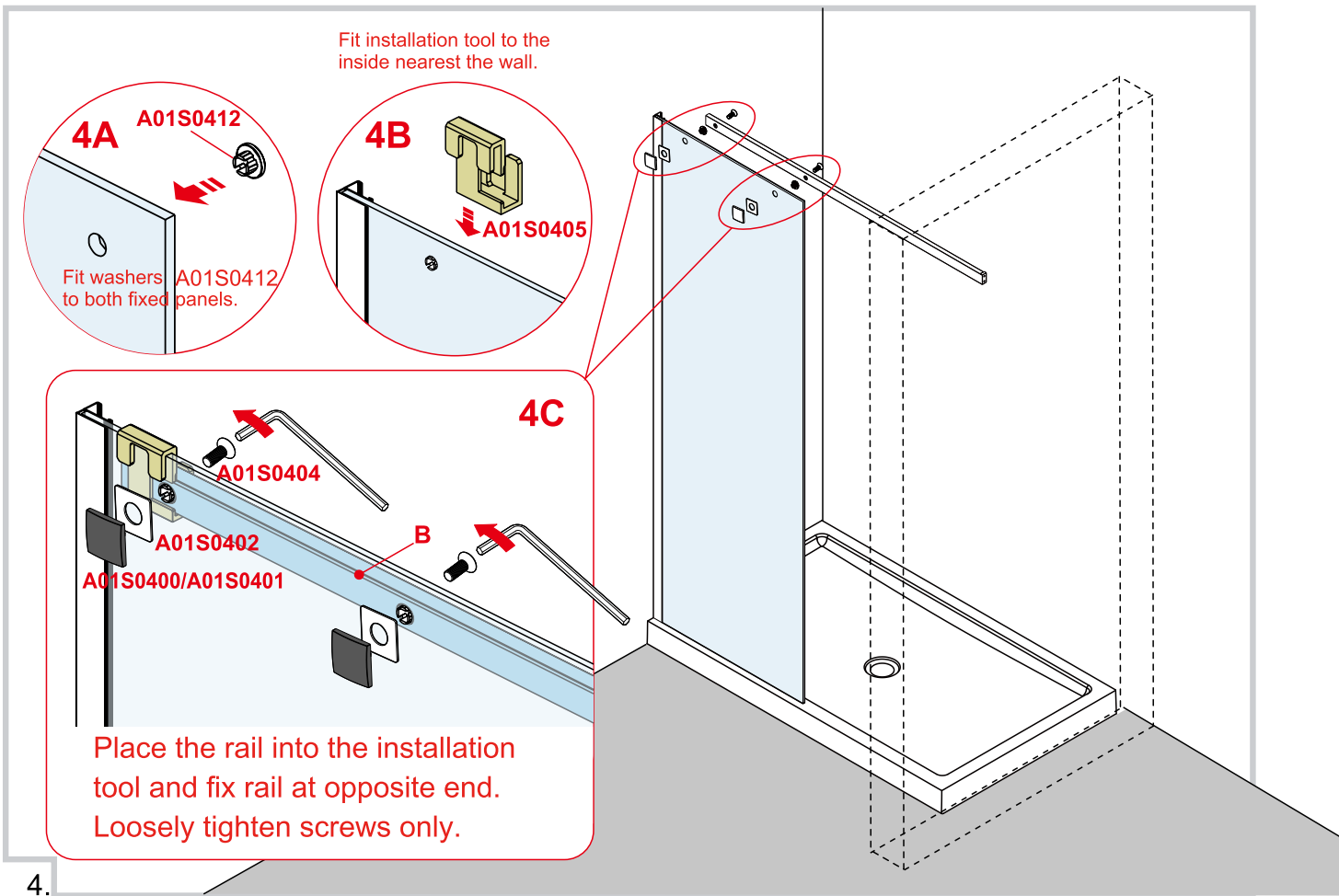
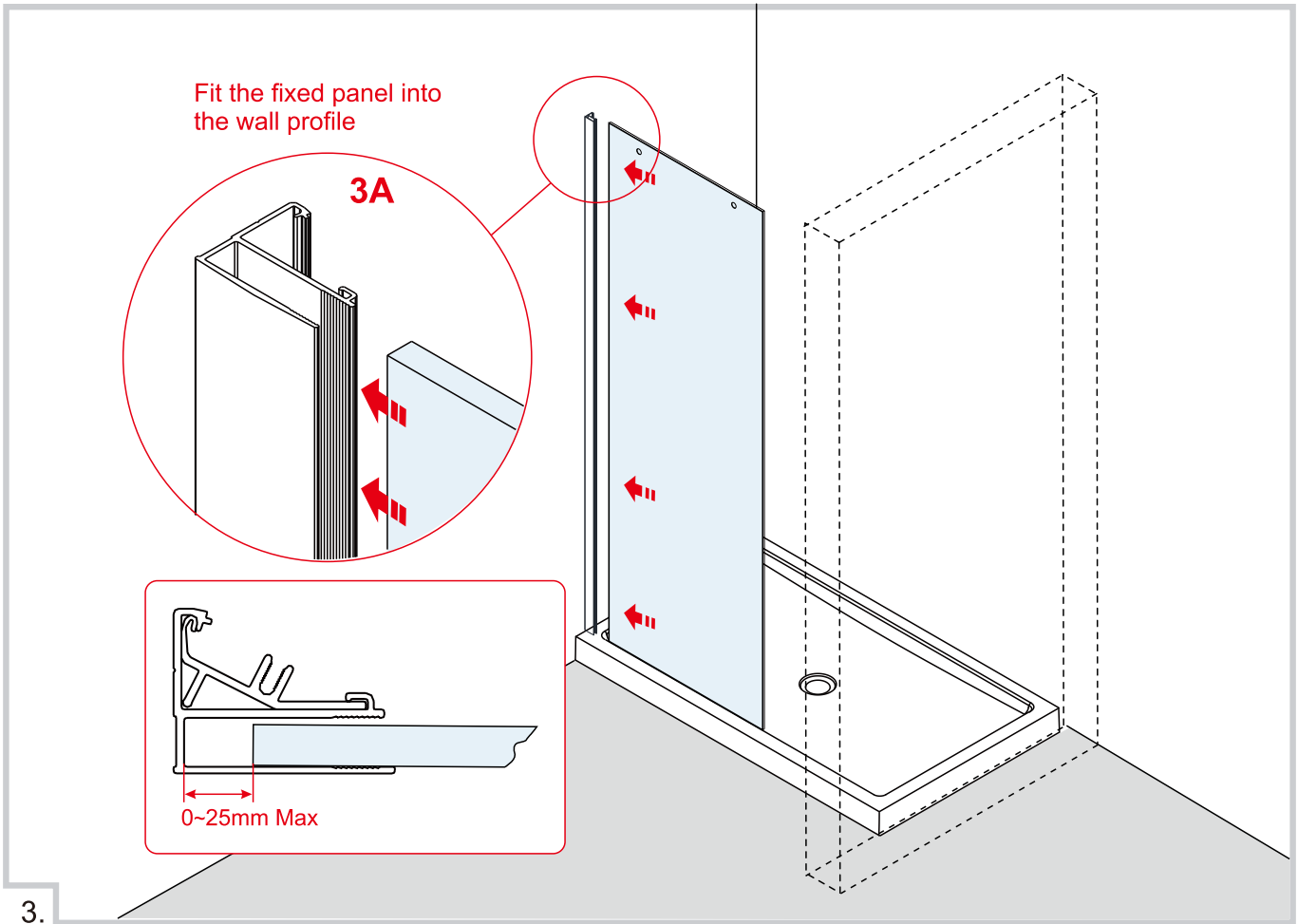


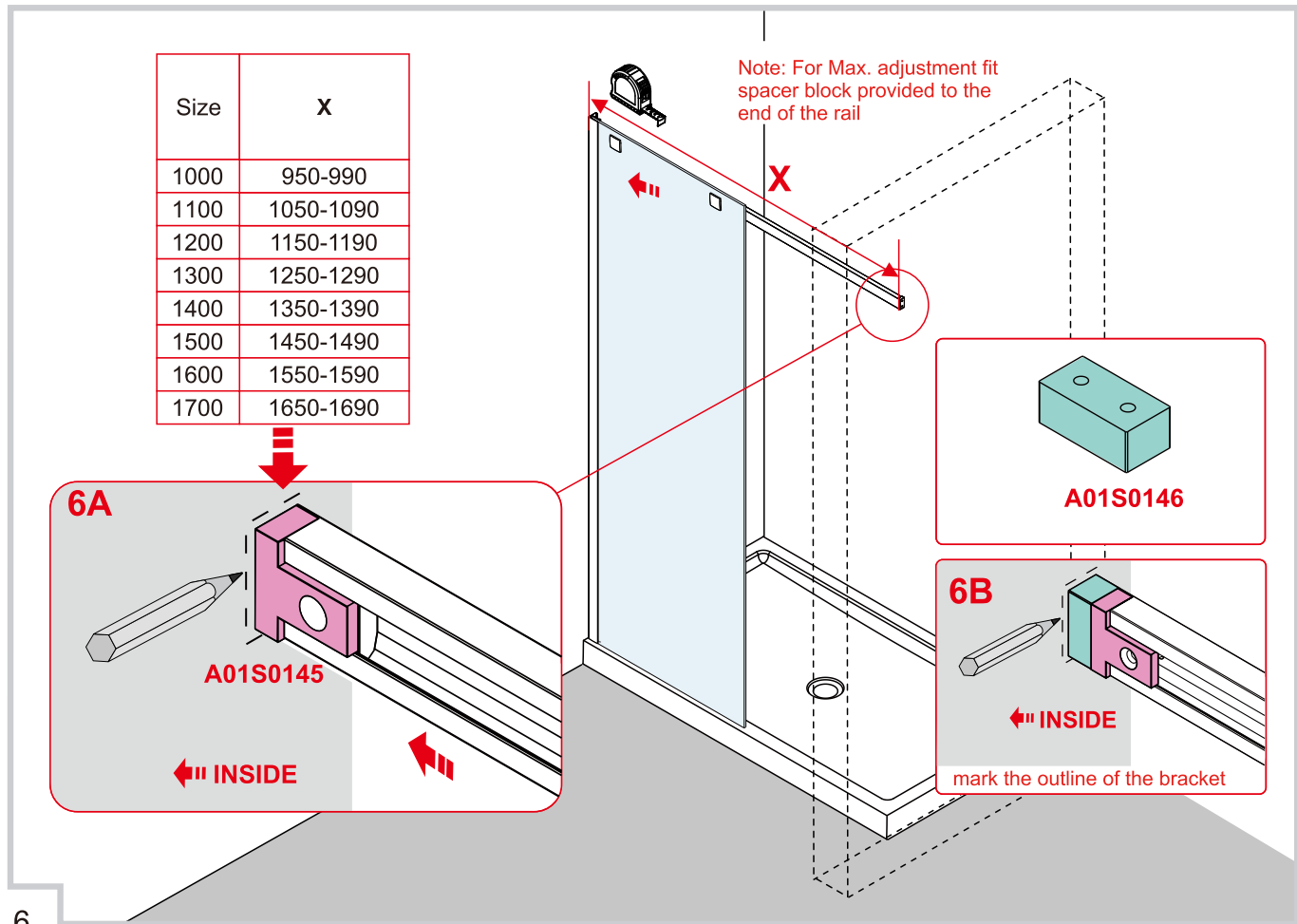
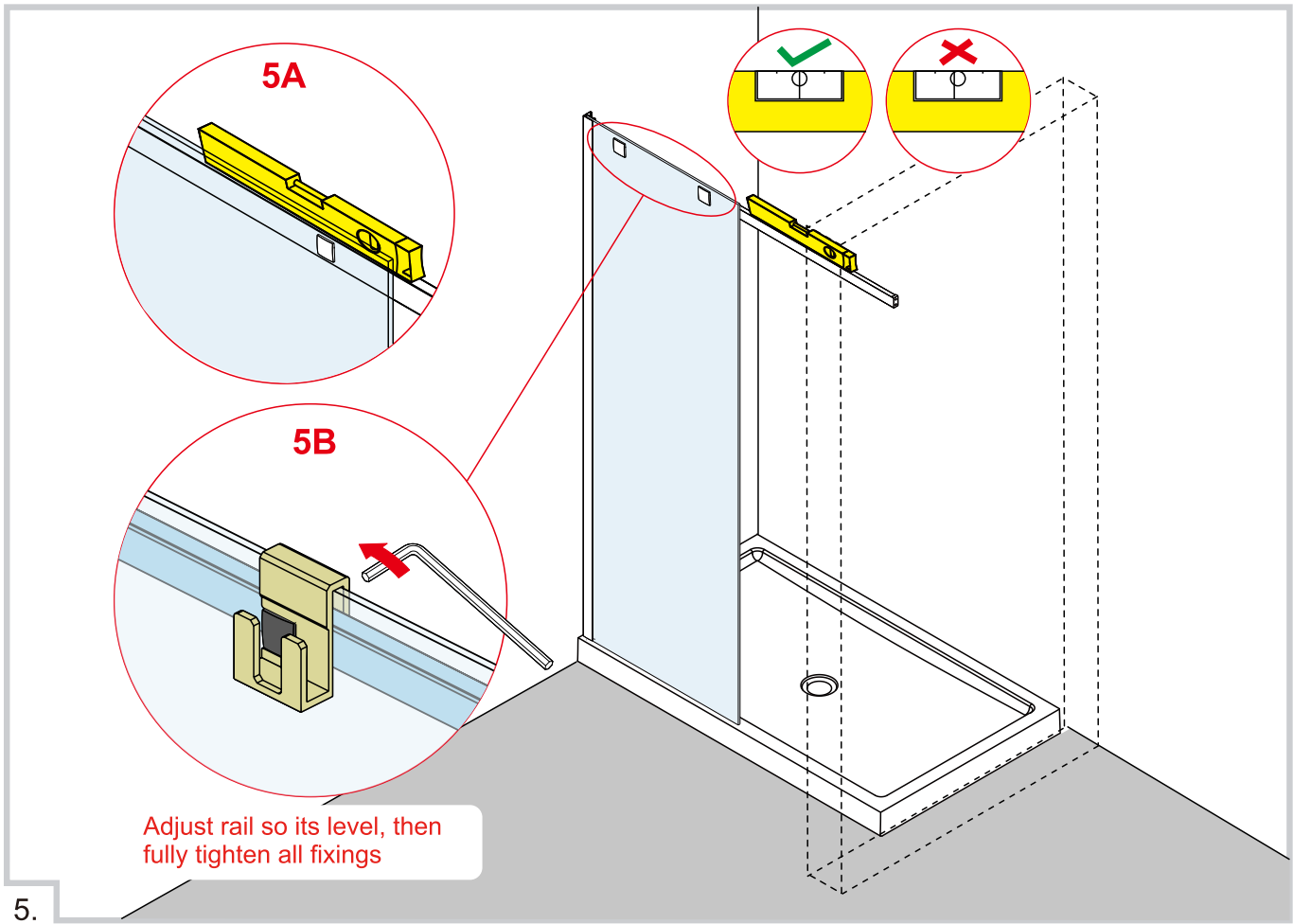
1.

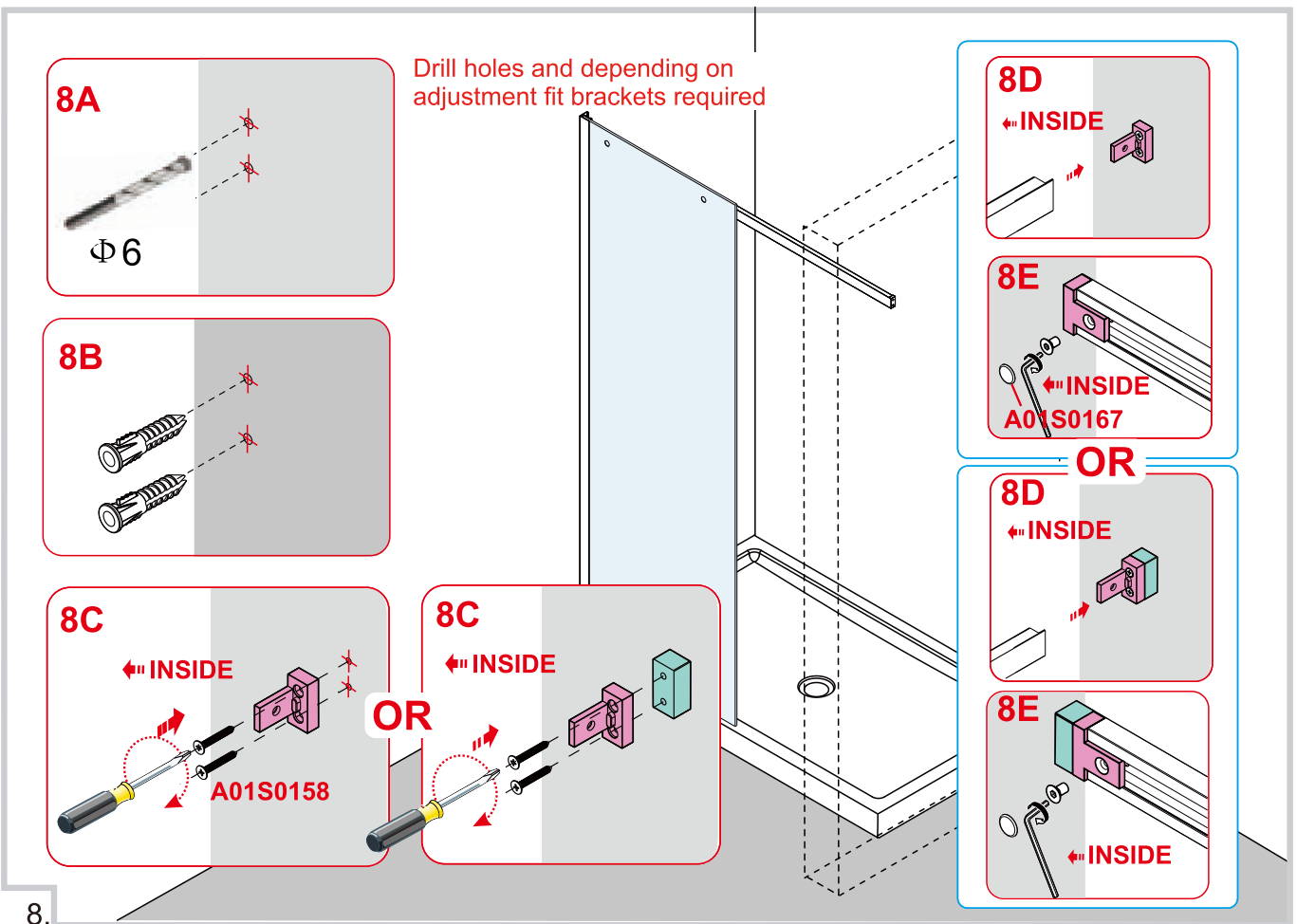
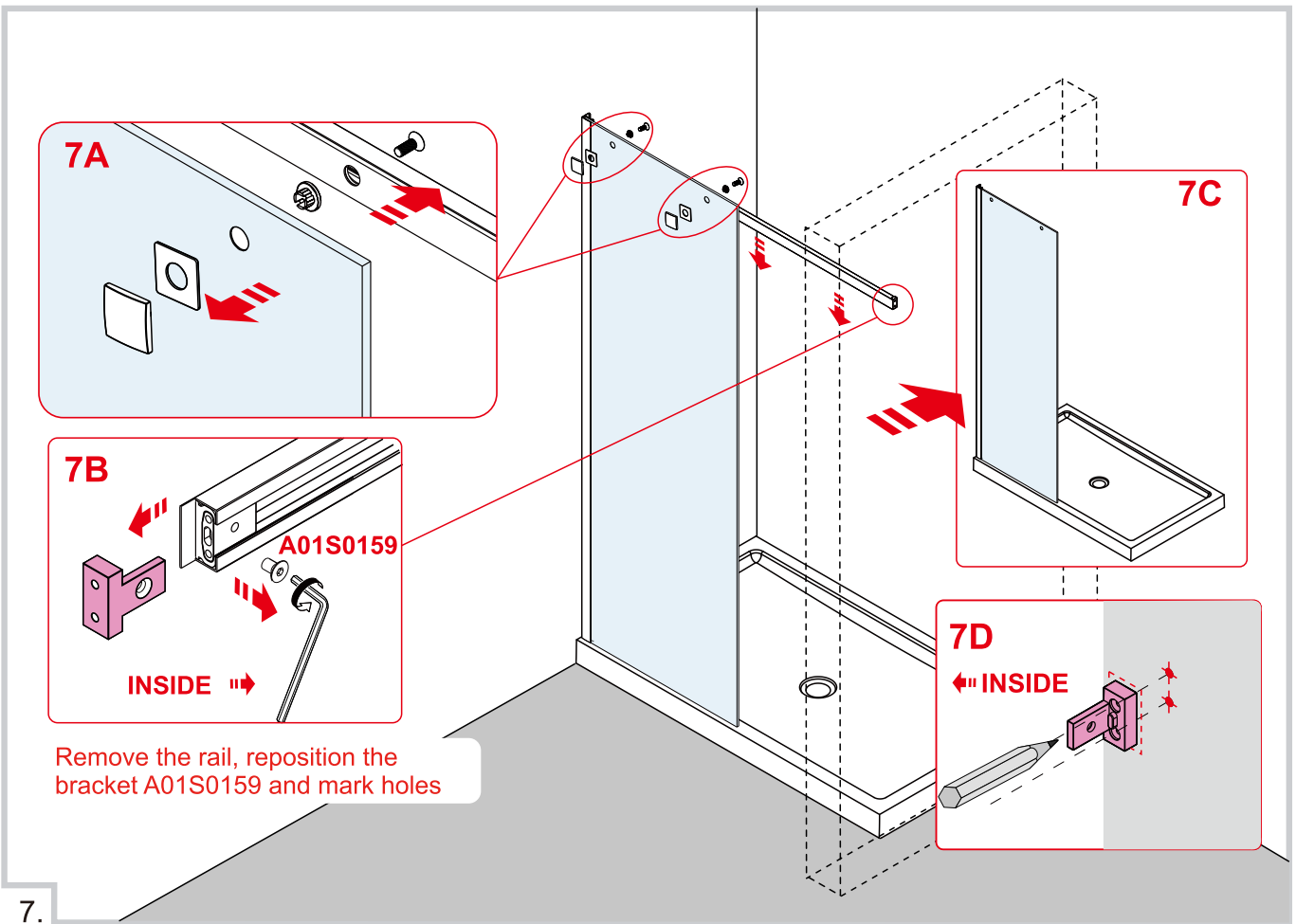
Size	X
1000	950-990
1100	1050-1090
1200	1150-1190
1300	1250-1290
1400	1350-1390
1500	1450-1490
1600	1550-1590
1700	1650-1690



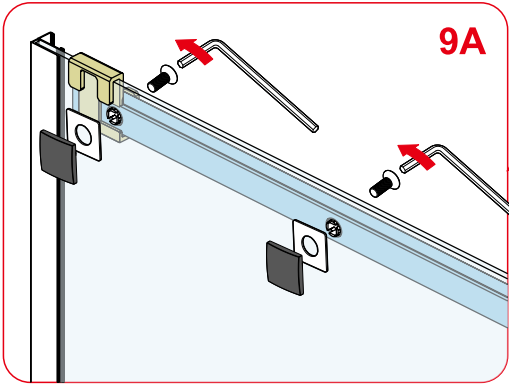
2.



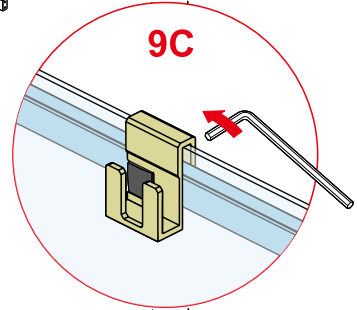
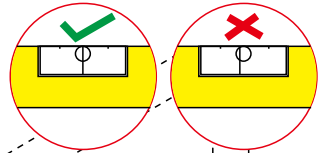




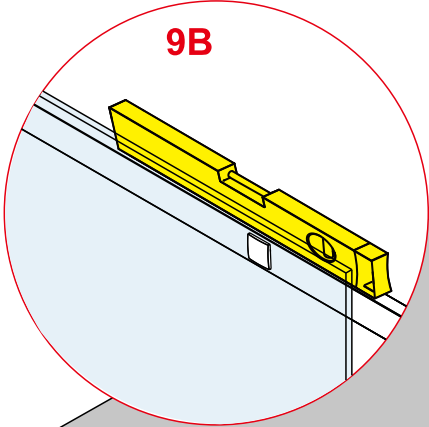
Fit the rail, level and fully tighten.
Use installation tool to align the fixing plates.



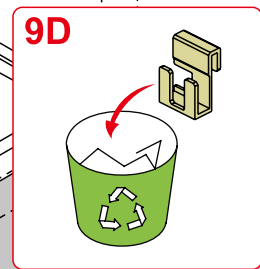
9A



9C



9B

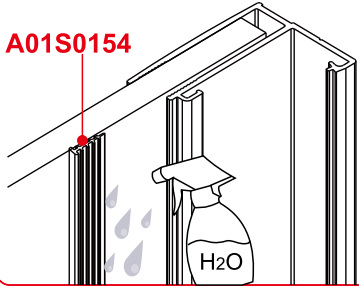


9D

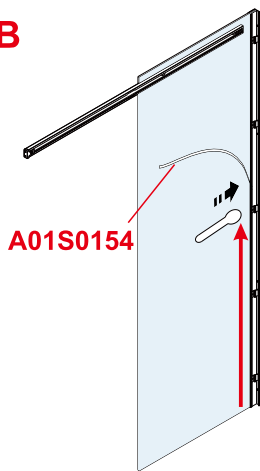
9.

10A Top Tip !! Add water to the wedge gasket to help fit into the wall profile.

A01S0154



10B



A01S0154

Make sure to start at the bottom and work upwards using tool provided.

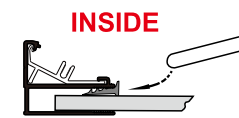
10C

INSIDE

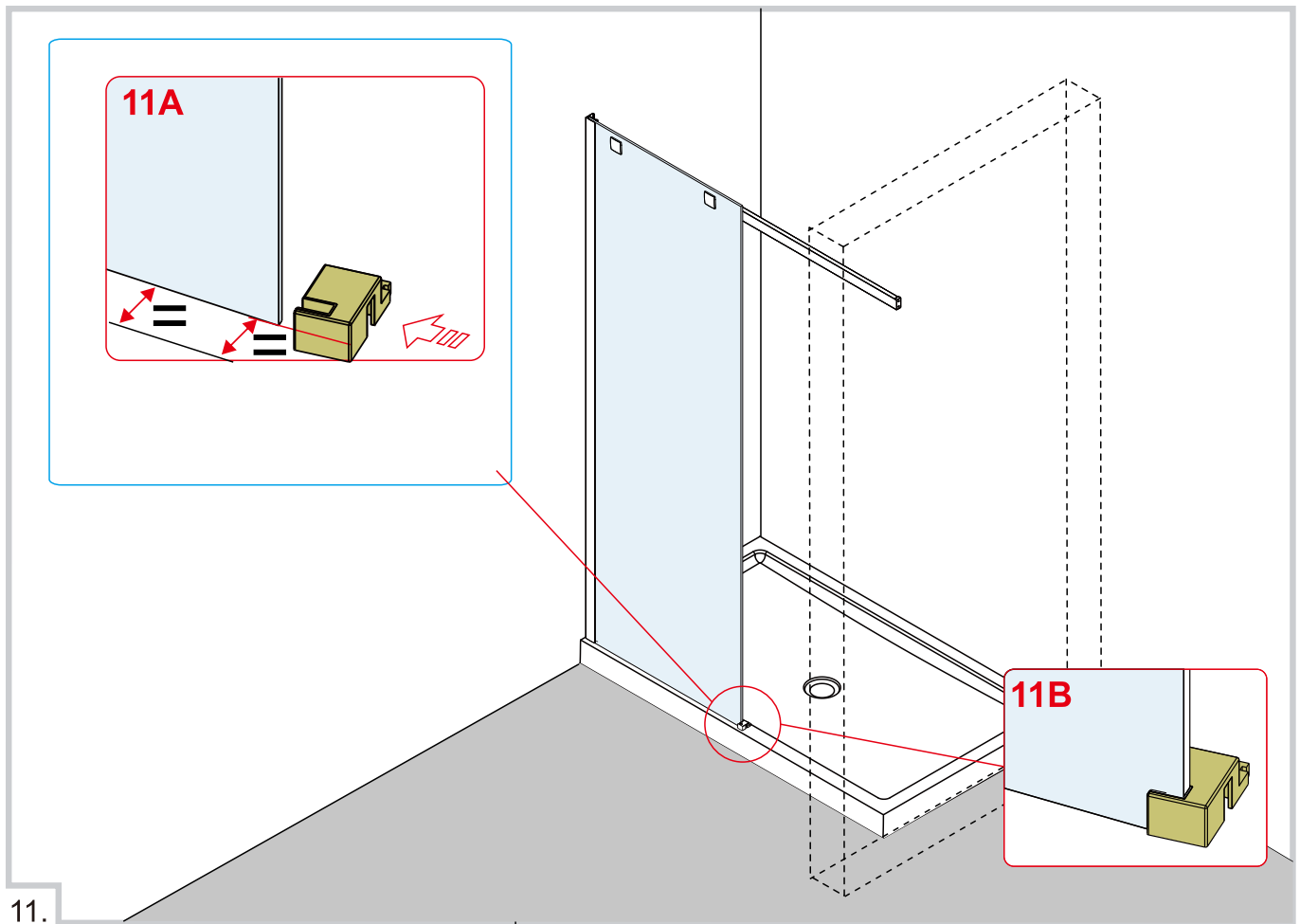


10D

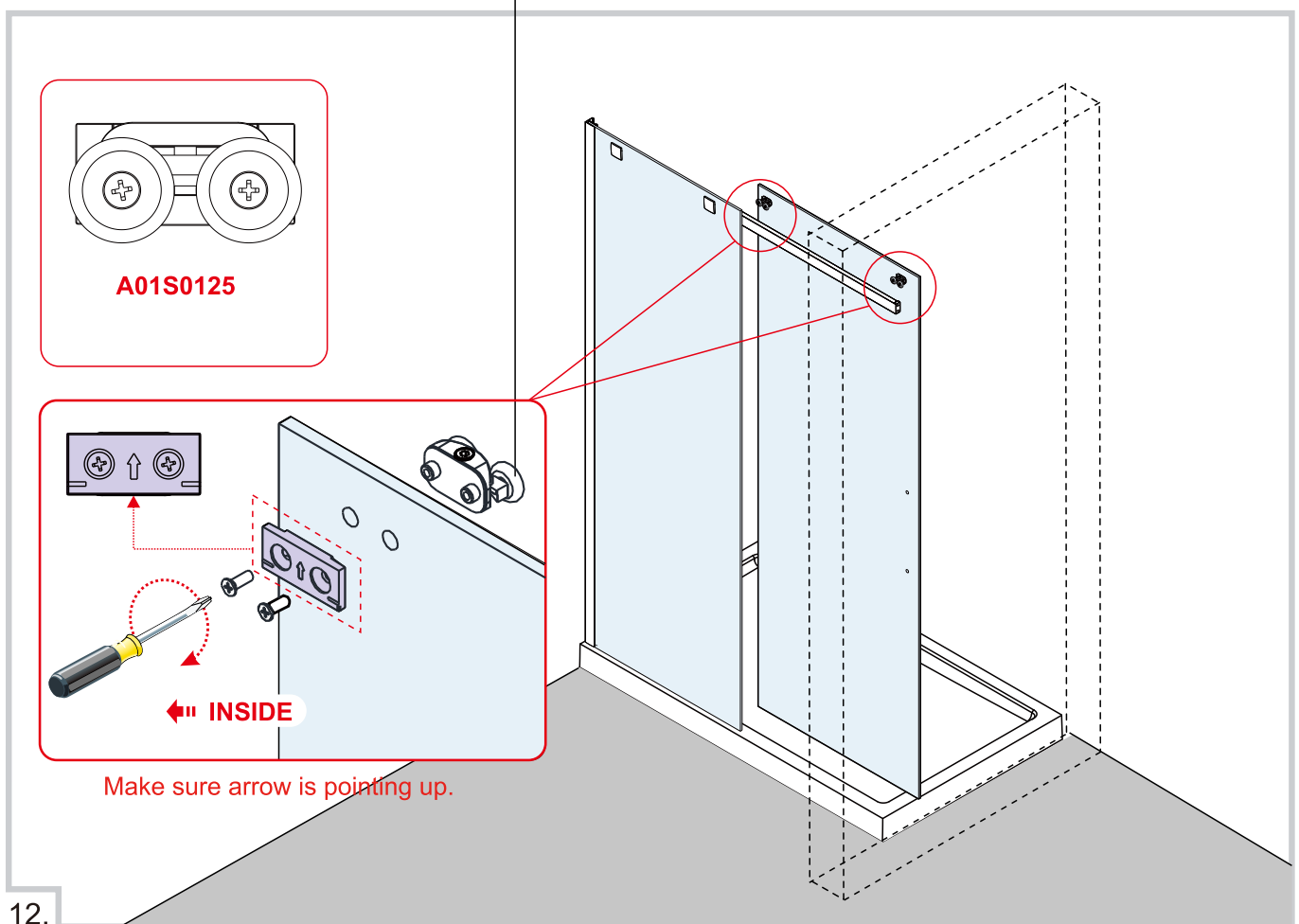
INSIDE



10.

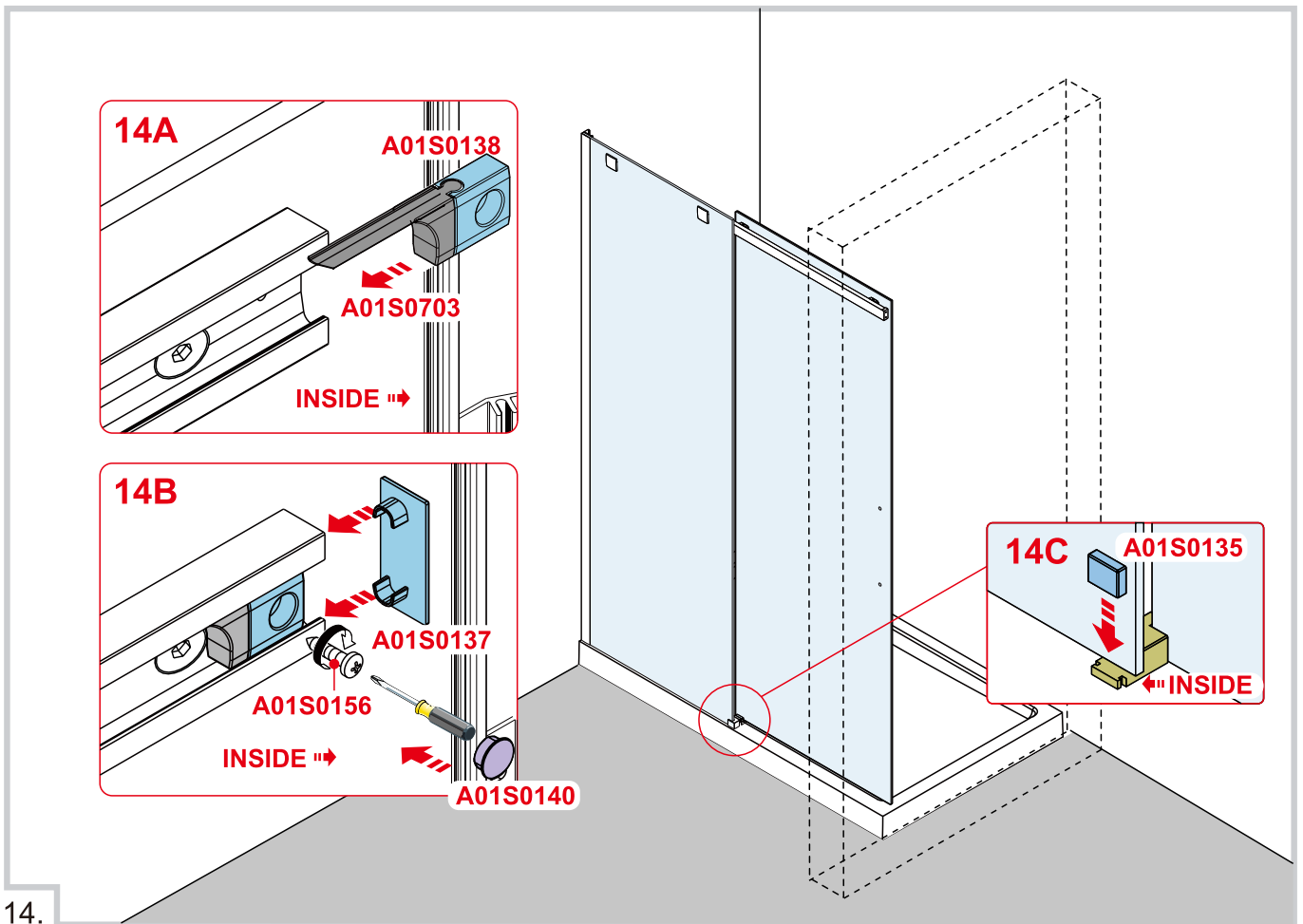
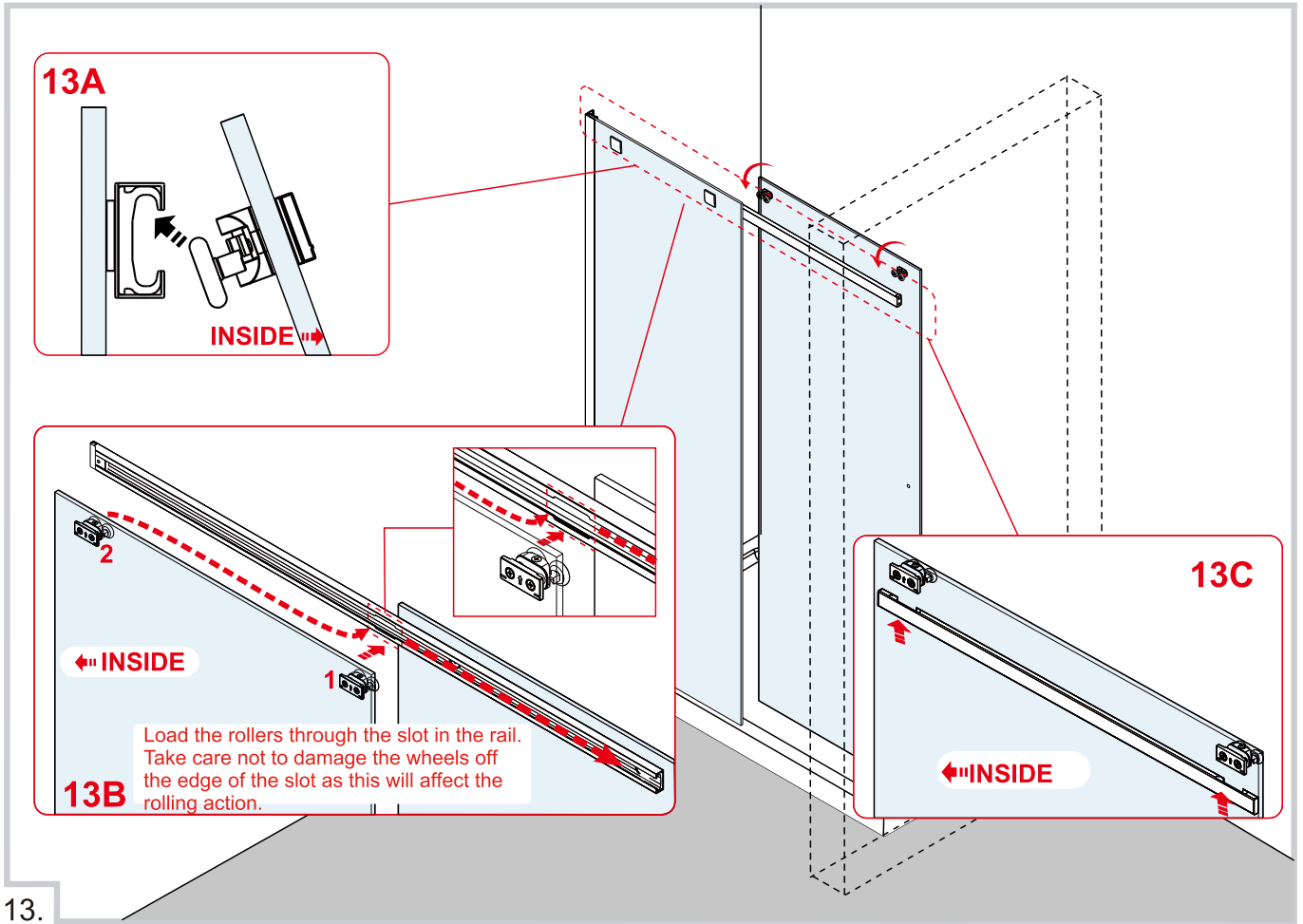


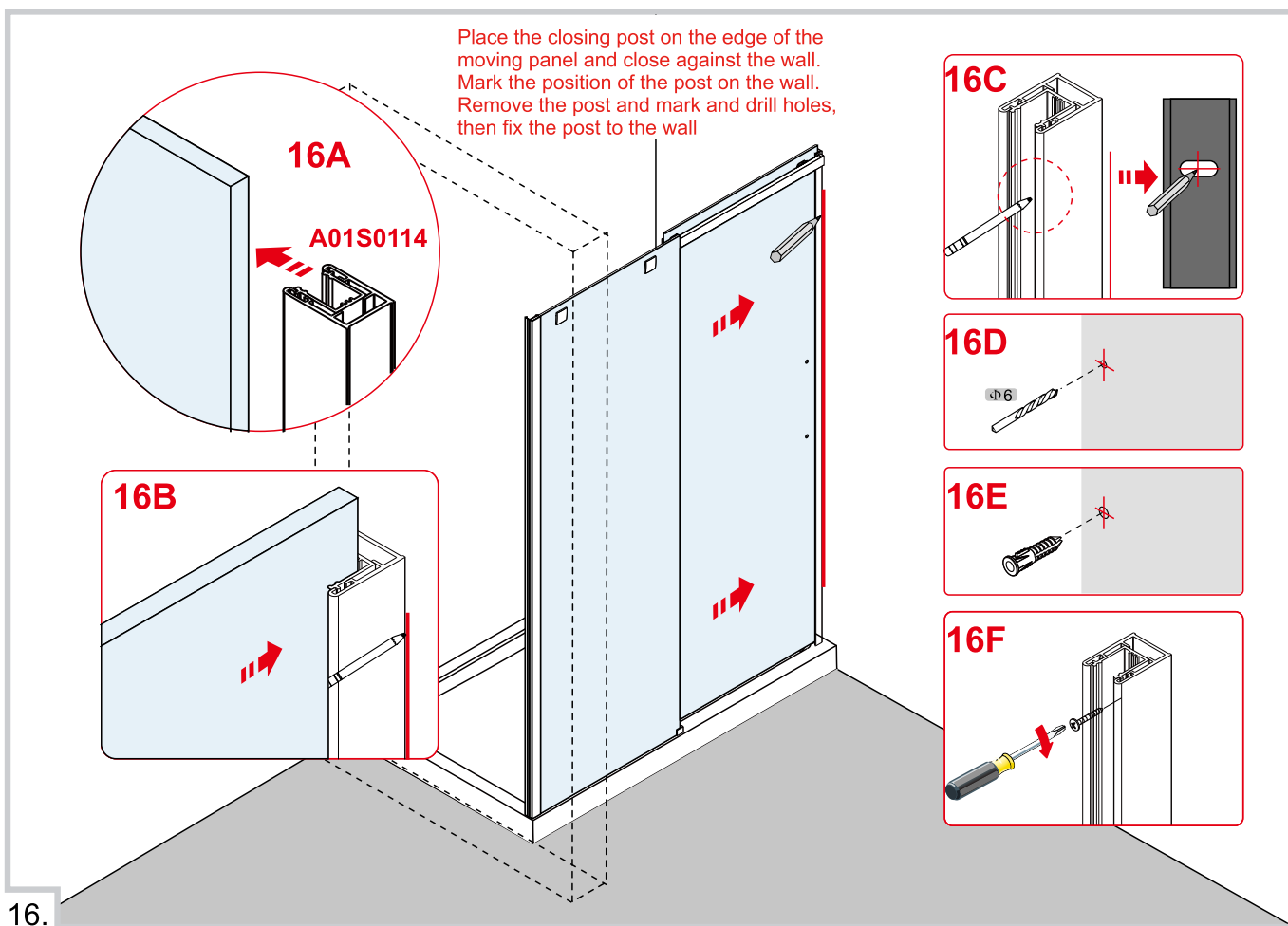
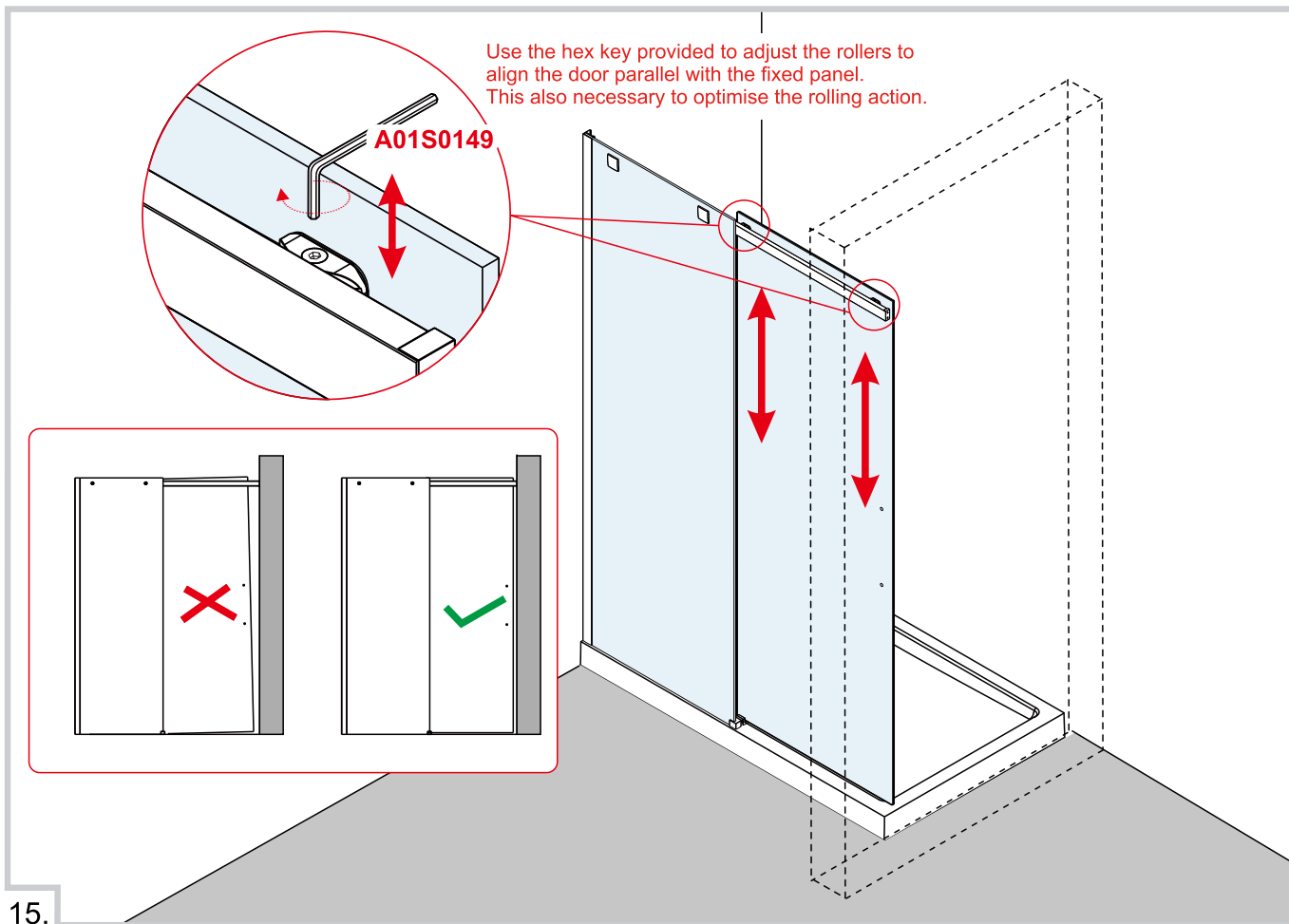
11.

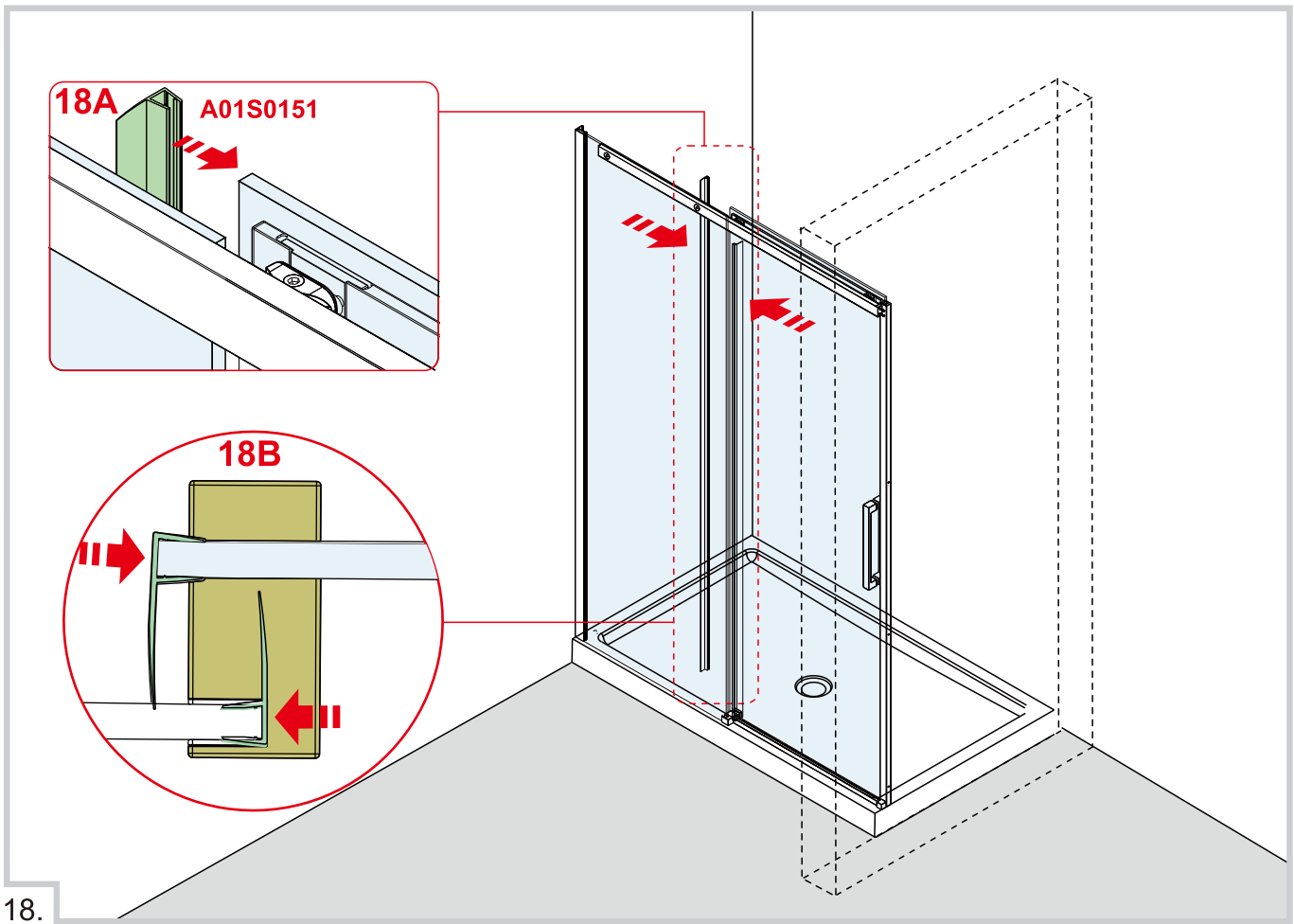
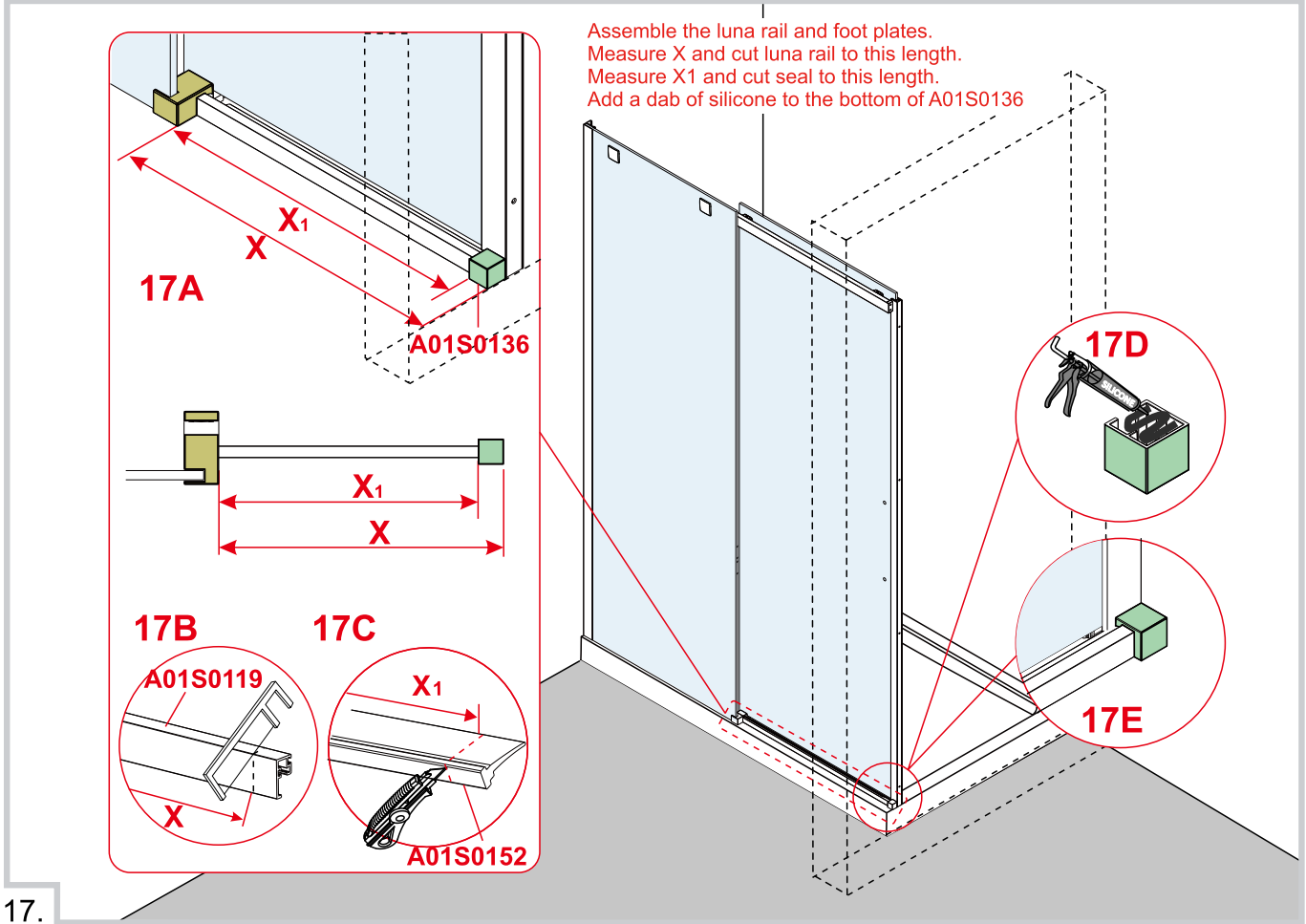


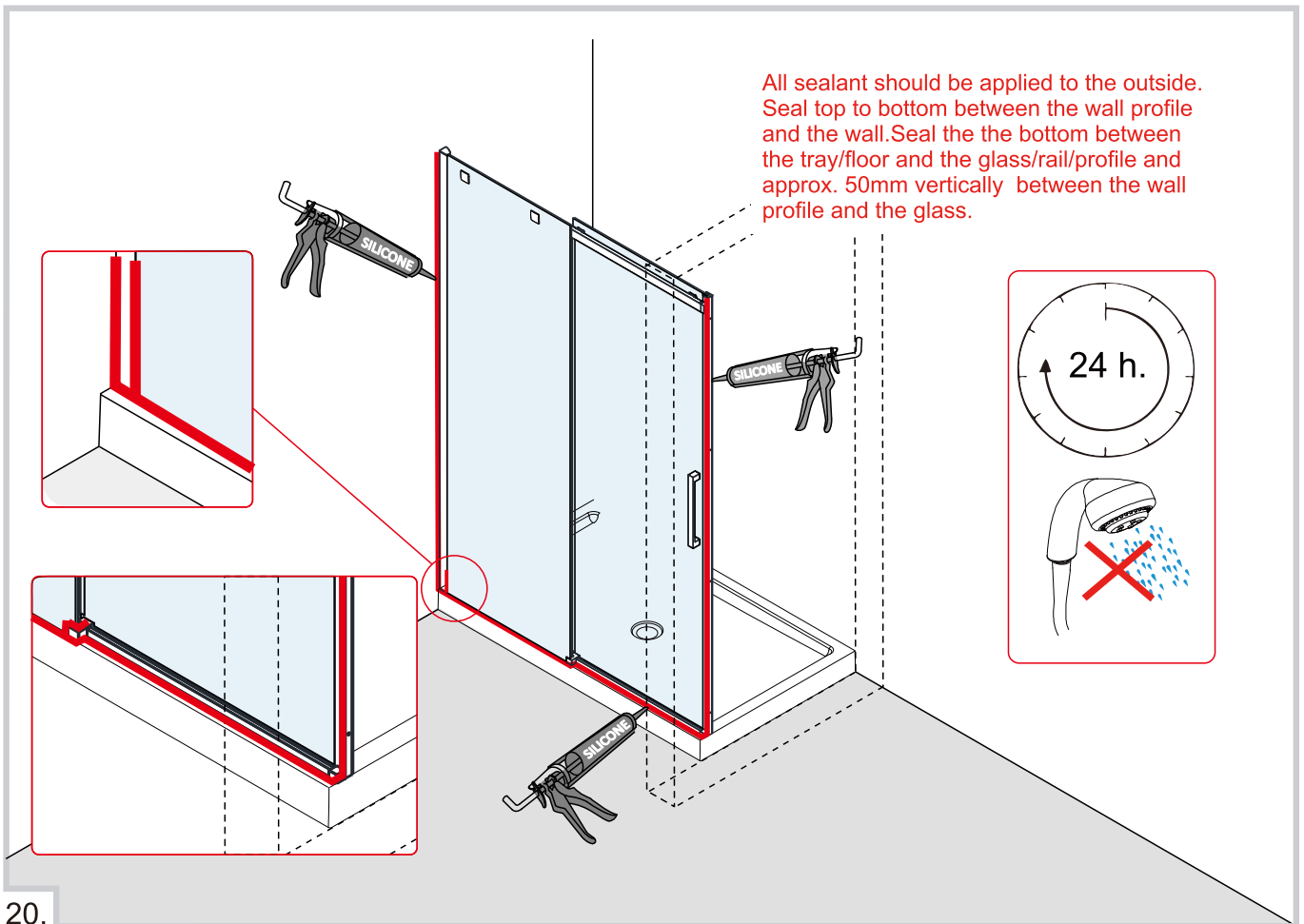
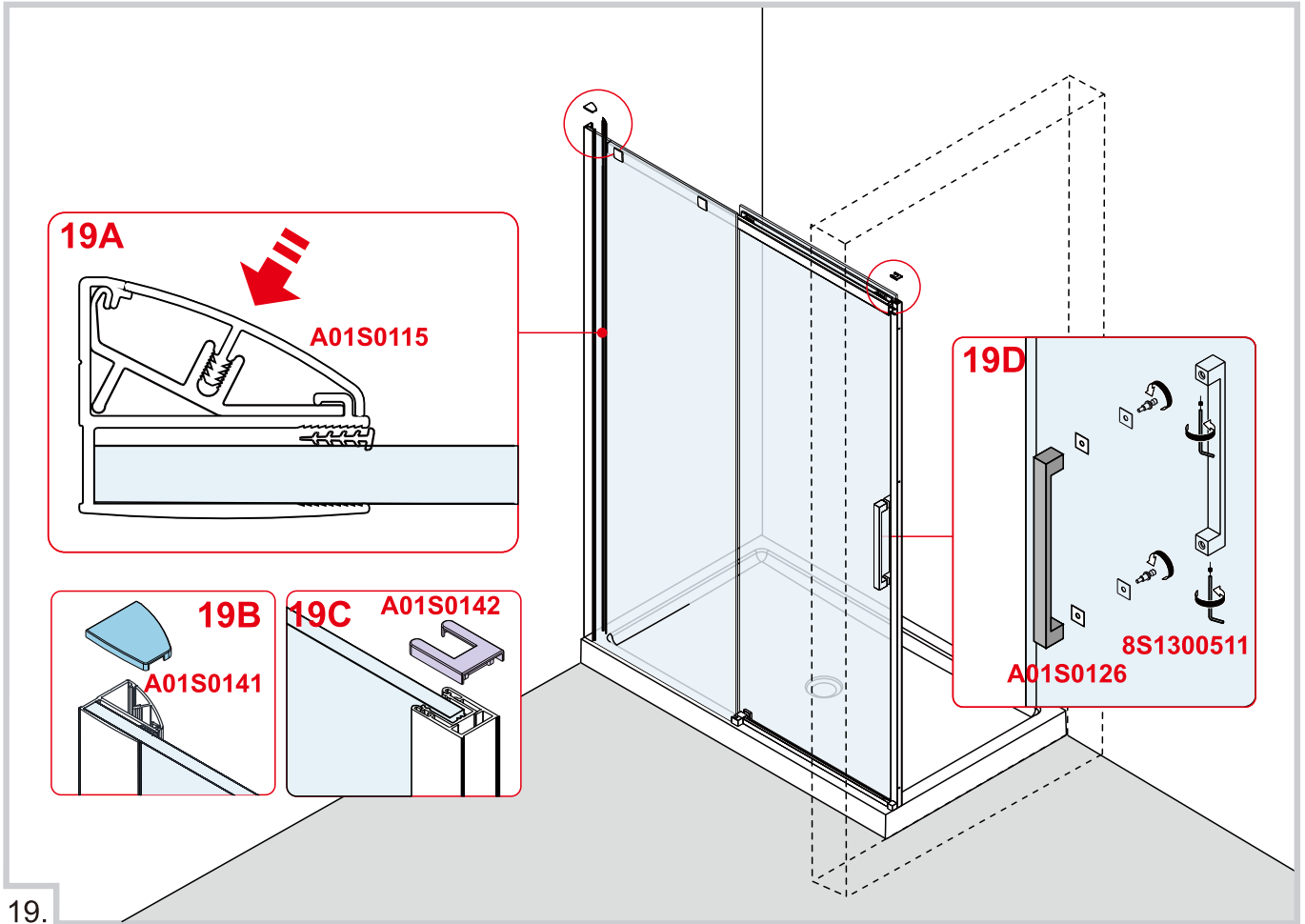
12.

10.









IMPORTANT

Please familiarise yourself with the fitting instructions before commencing fitting.
Make sure the tray is 100% level in all directions.

- 1 Check that you have the tools required
- 2 Check that the installation site is compatible with size of door supplied
- 3 Check all the enclosure components
- 4 Check that the installation kit is complete

DO NOT attempt to install the product unless you can tick **ALL 4** boxes as satisfactory.

The wall plugs supplied with the installation kit are for use in solid walls. Hollow or 'stud - partition' walls will require alternative fixings. Please consult a hardware supplier for the correct type.

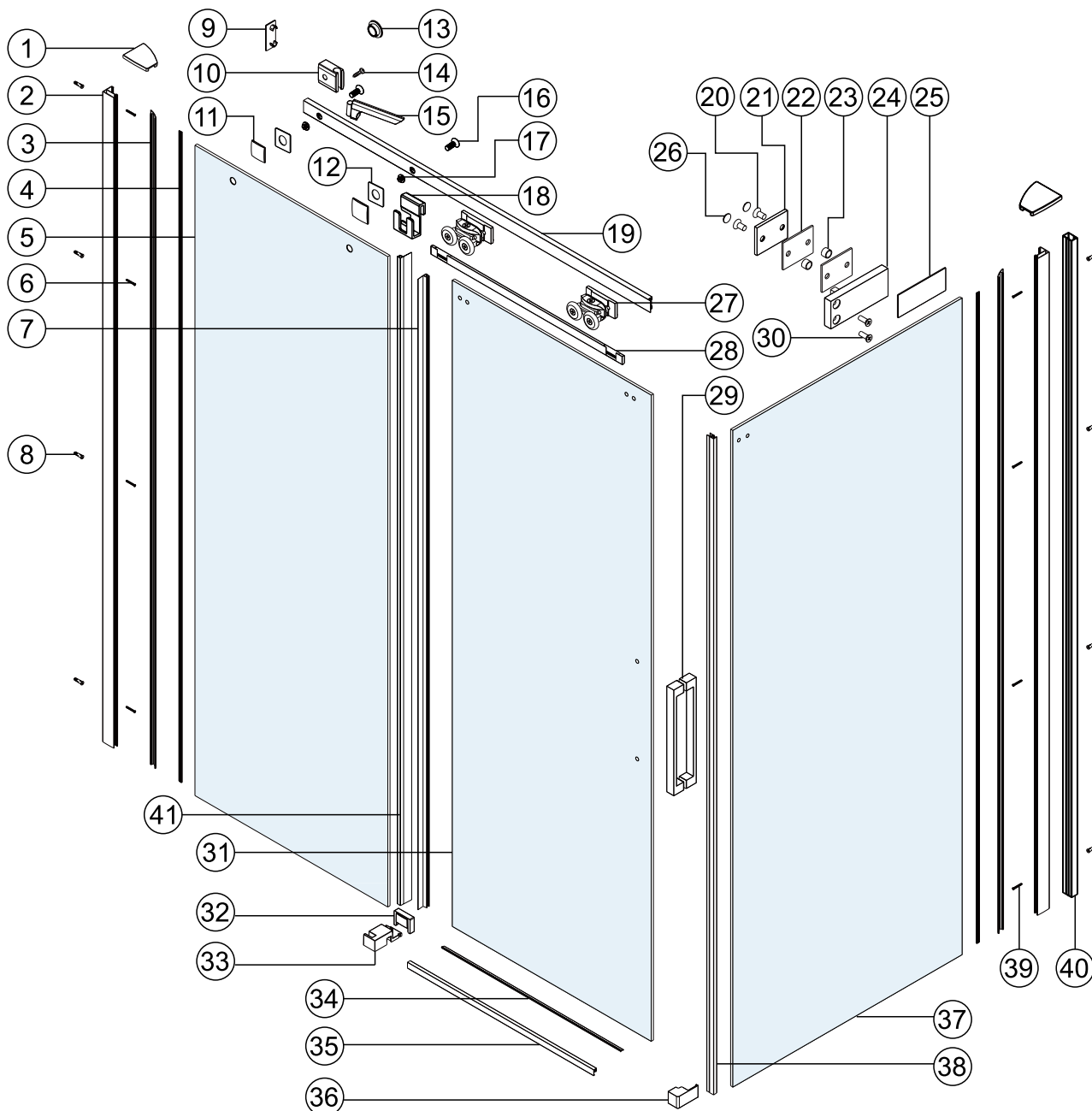
It may also be necessary to consult your tiling supplier about the correct method for drilling your tiles.

Any parts missing or damaged must be reported to your supplier within 5 days of purchase. Inspect shower enclosure before fitting. No claims will be accepted after product has been installed.

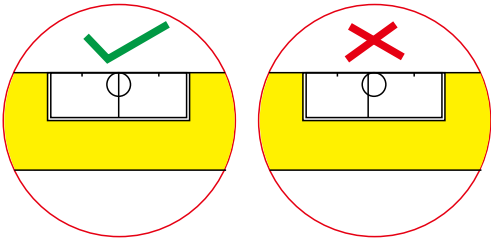
ATTENTION: TAKE EXTREME CARE WHEN HANDLING GLASS, WEAR PROTECTIVE EYEWEAR AND CLOTHING. DO NOT LEAVE THE GLASS ON HARD SURFACES AND AVOID CONTACT BETWEEN THE GLASS EDGES AND HARD SURFACES OR IMPACTS DURING THE INSTALLATION.

Size	Adjustment	Opening space
800	760-785	NA
900	860-885	NA
1000	960-985	NA

Size	Adjustment	Opening space
1000	940-985	350
1100	1040-1085	400
1200	1140-1185	450
1300	1240-1285	500
1400	1340-1385	550
1500	1440-1485	550
1600	1540-1585	550
1700	1640-1685	550



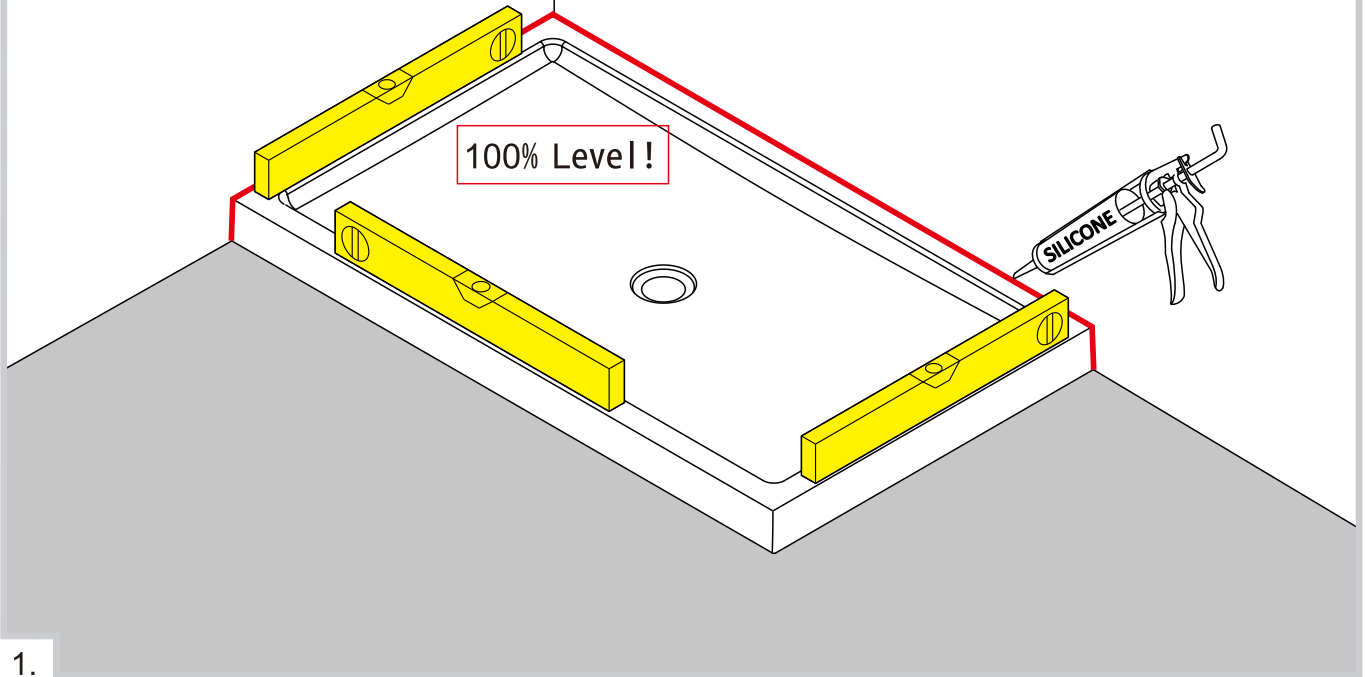
No.	Qty	Description	Part No.	No.	Qty	Description	Part No.	No.	Qty	Description	Part No.
①	1	Cover cap	A01S0141	⑭	1	Roller stop screw	A01S0156	⑳	1	Roller cover profile	C
②	2	Wall profile	A01S0109	⑮	1	Roller stop	A01S0703	㉑	1	Handle	A01S0126
③	2	Cover strip	A01S0115	⑯	2	Rail fixing screw	A01S0404	⑳	2	M5 x 18 screw	A01S0169
④	2	Wedge gasket	A01S0154	⑰	2	Rail fixing washer	A01S0412	㉒	1	D	D
⑤	1	A	A	⑱	1	Rail installation tool	A01S0405	㉓	1	Bottom guide cover cap	A01S0135
⑥	8	Screw 4x30	8S410044	㉒	1	B	B	㉔	1	Bottom guide	A01S0261 A01S0134
⑦	1	Moving panel upright seal	A01S0151	㉓	1	M6 x 20 screw	A01S0166	㉕	1	Bottom seal	A01S0152
⑧	8	Wall plug	8SSJ066	㉔	1	Fixing plate inside	A01S0162	㉖	1	Luna rail	A01S0119
⑨	1	Rail cap	A01S0137	㉕	2	plate washer	A01S0164	㉗	1	Side panel foot plate	A01S0161
⑩	1	Roller stop frame	A01S0138	㉖	2	Screw washer	A01S0165	㉘	1	E	E
⑪	2	Rail fixing branded /Unbranded	A01S0400/ A04S0401	㉗	1	Fixing plate outside	A01S0163	㉙	1	Closing seal	A01S0170
⑫	2	Rail fixing washer	A01S0402	㉘	1	Cover plate	A01S0168	㉚	4	Screw 4x50	A01S0158
⑬	1	Roller stop cap	A01S0140	㉙	2	Cover plate	A01S0167	㉛	1	Extension profile	A0114E0
				㉚	2	Roller	A01S0125	㉜	1	Fixed panel upright seal	A01S0151



TRAY MUST BE LEVEL IN ALL DIRECTIONS!

Ensure the shower tray is level in all directions and is properly sealed to the wall. The wall must be tiled down to the top edge of the tray.
Do not angle out bottom tile.

TRAY MUST BE SEALED FULLY AROUND WHERE THE TRAY MEETS THE WALL.

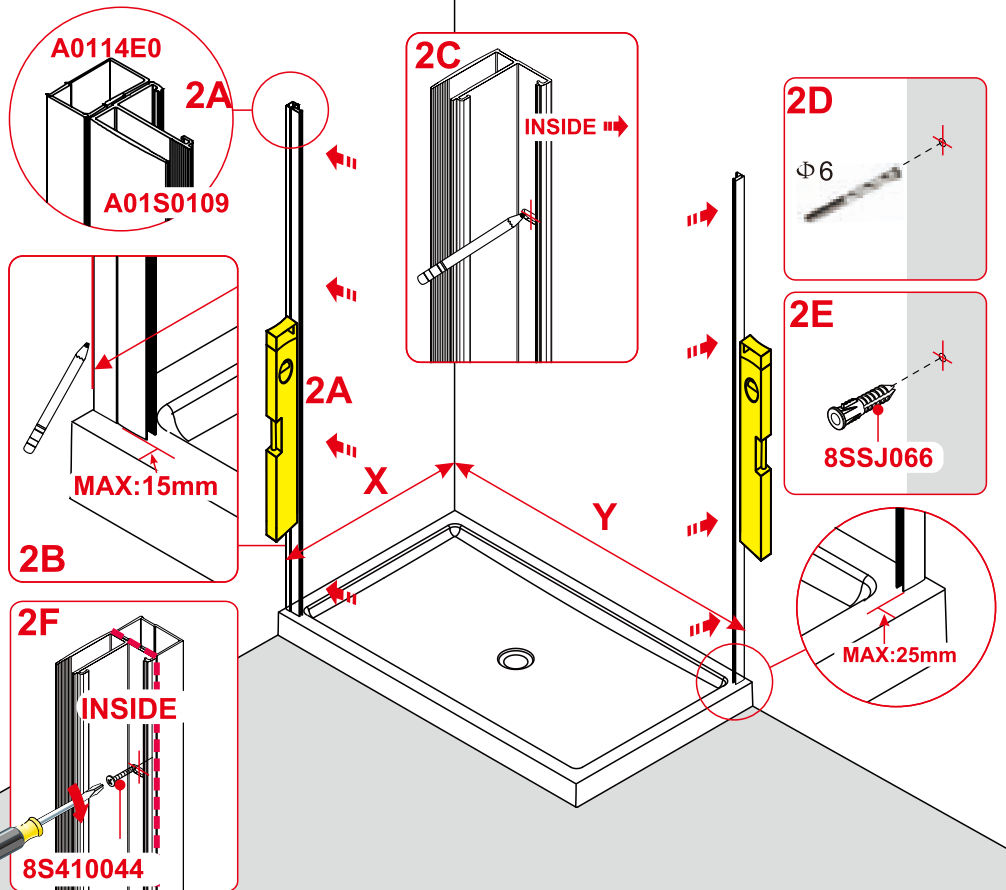


1.

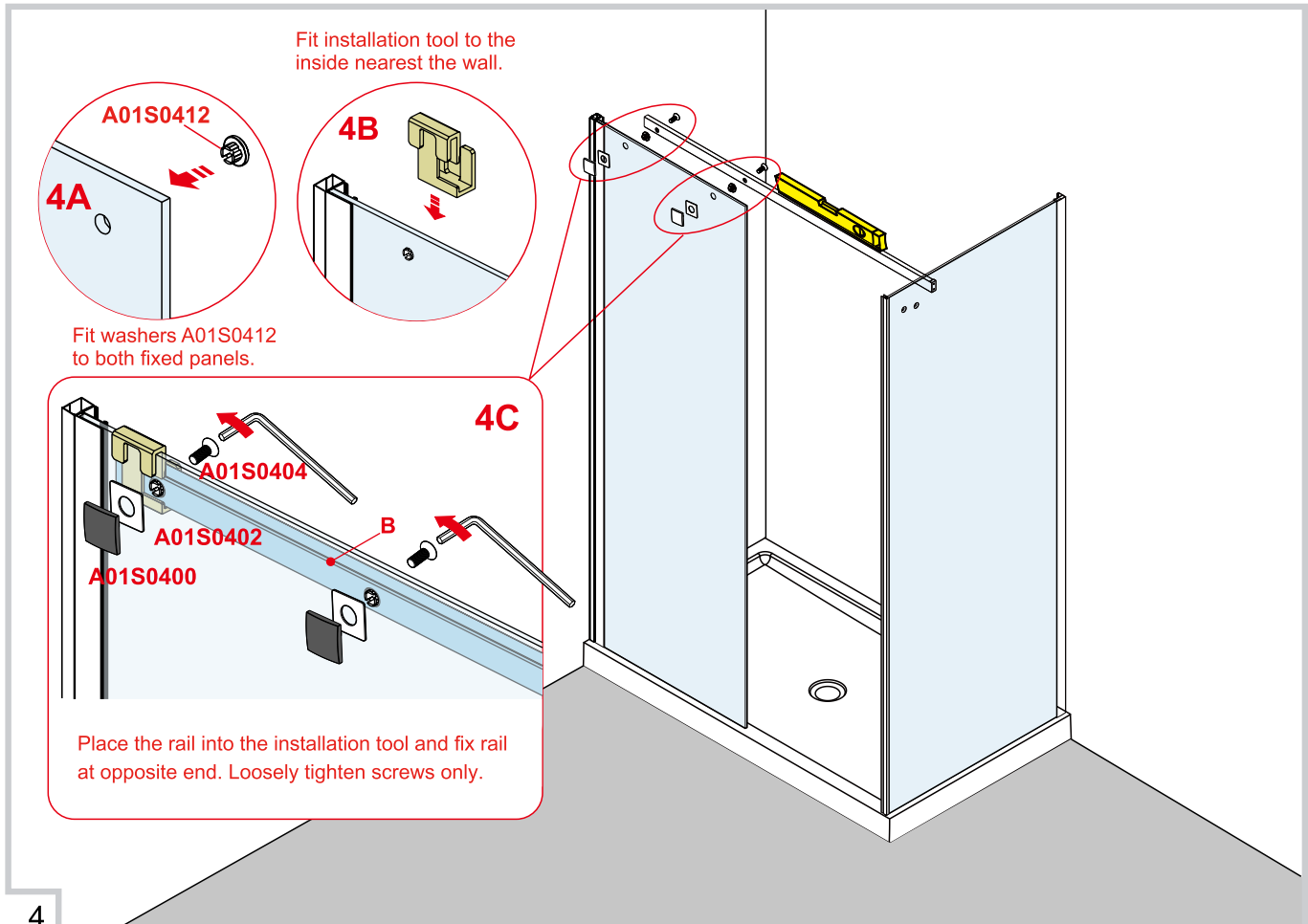
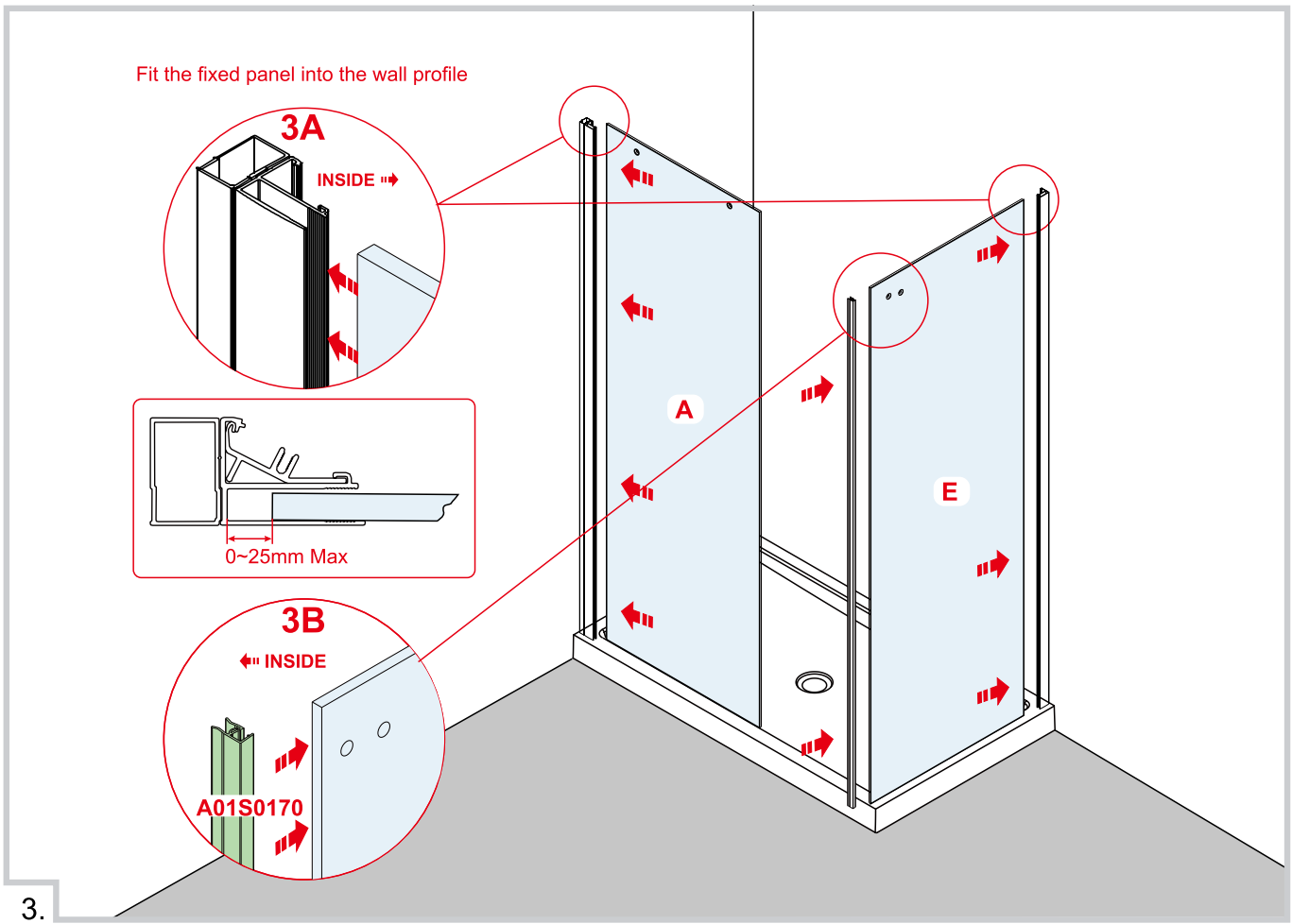
Size	X
800	760-785
900	860-885
1000	960-985

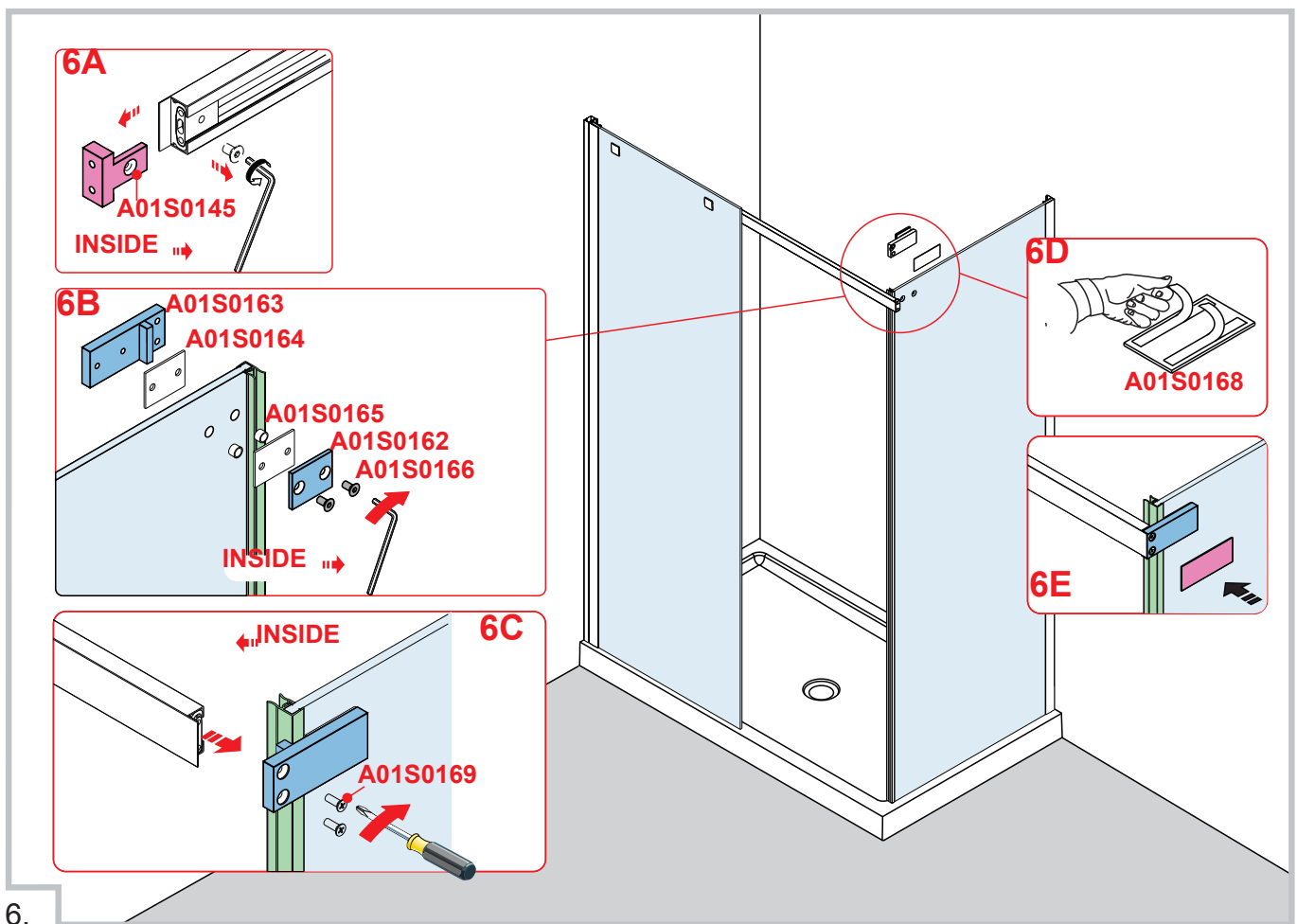
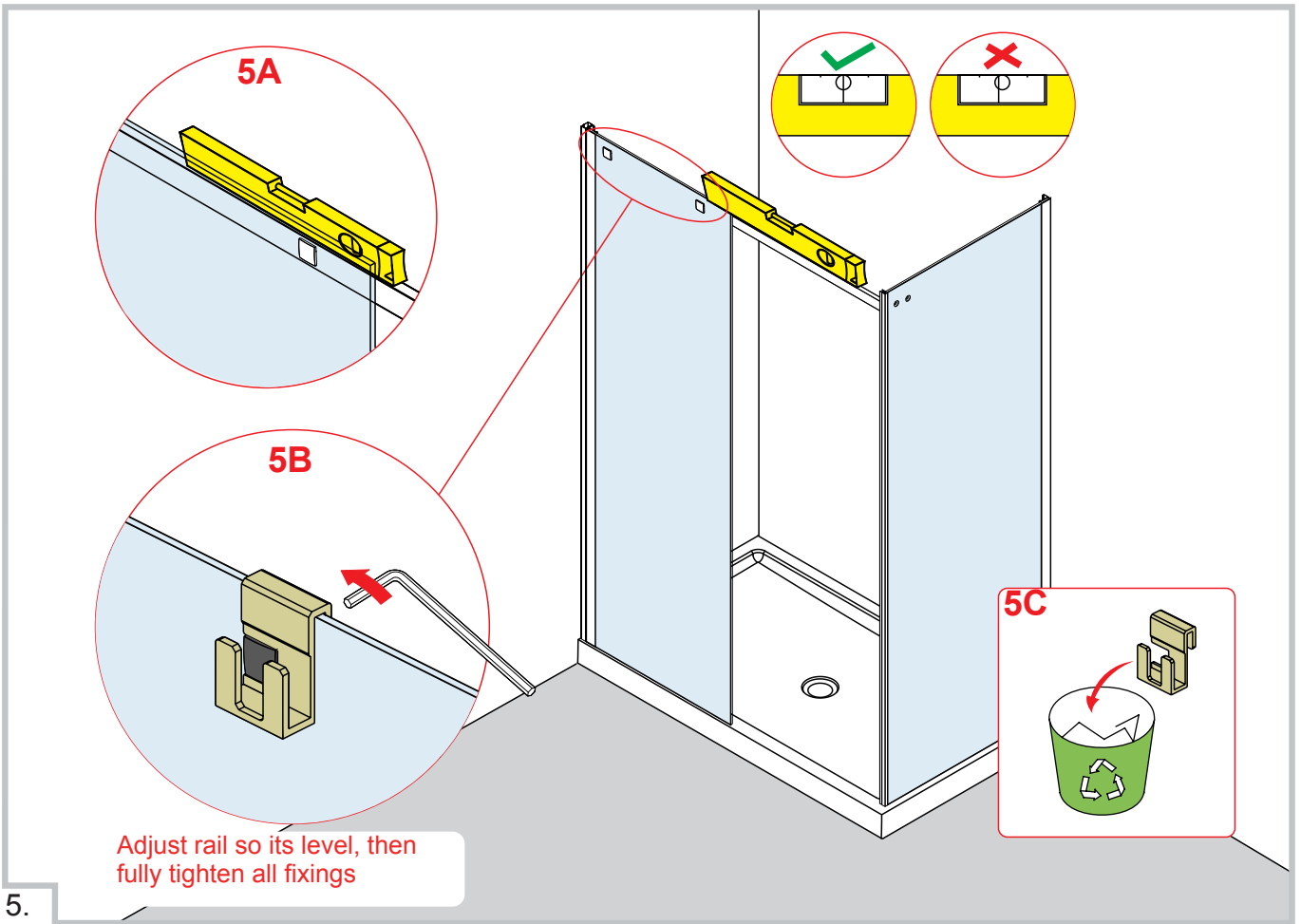
Size	Y-Adjustment using Extension profile Min-Max	Y-Adjustment without Extension profile Min-Max
1000	940-985	940-965
1100	1040-1085	1040-1065
1200	1140-1185	1140-1165
1300	1240-1285	1240-1265
1400	1340-1385	1340-1365
1500	1440-1485	1440-1465
1600	1540-1585	1540-1565
1700	1640-1685	1640-1665

Determine position of side panel profile, check distance Y. If Y is more than 25mm over the Min. adjustment then use the extension profile packed in the side panel box.



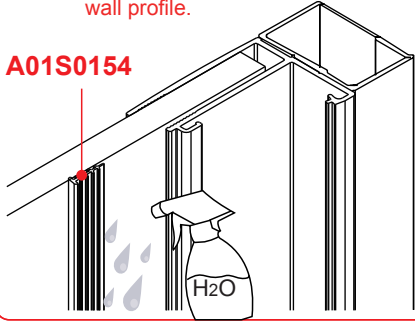
2.



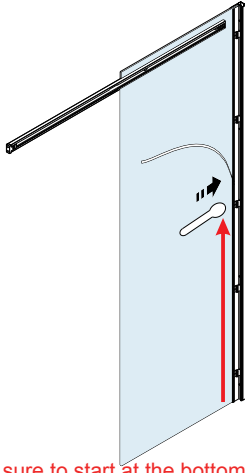


7A Top Tip !! Add water to the wedge gasket to help fit into the wall profile.

A01S0154

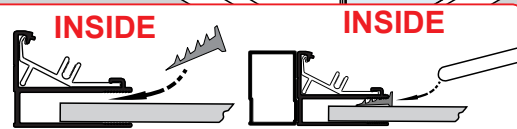


7B



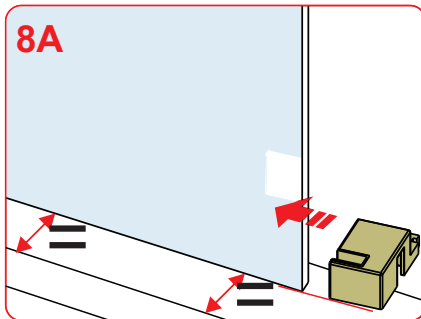
Make sure to start at the bottom and work upwards using tool provided.

7C



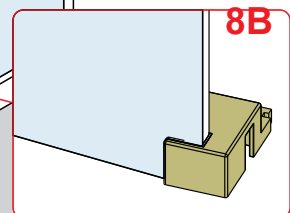
7.

8A

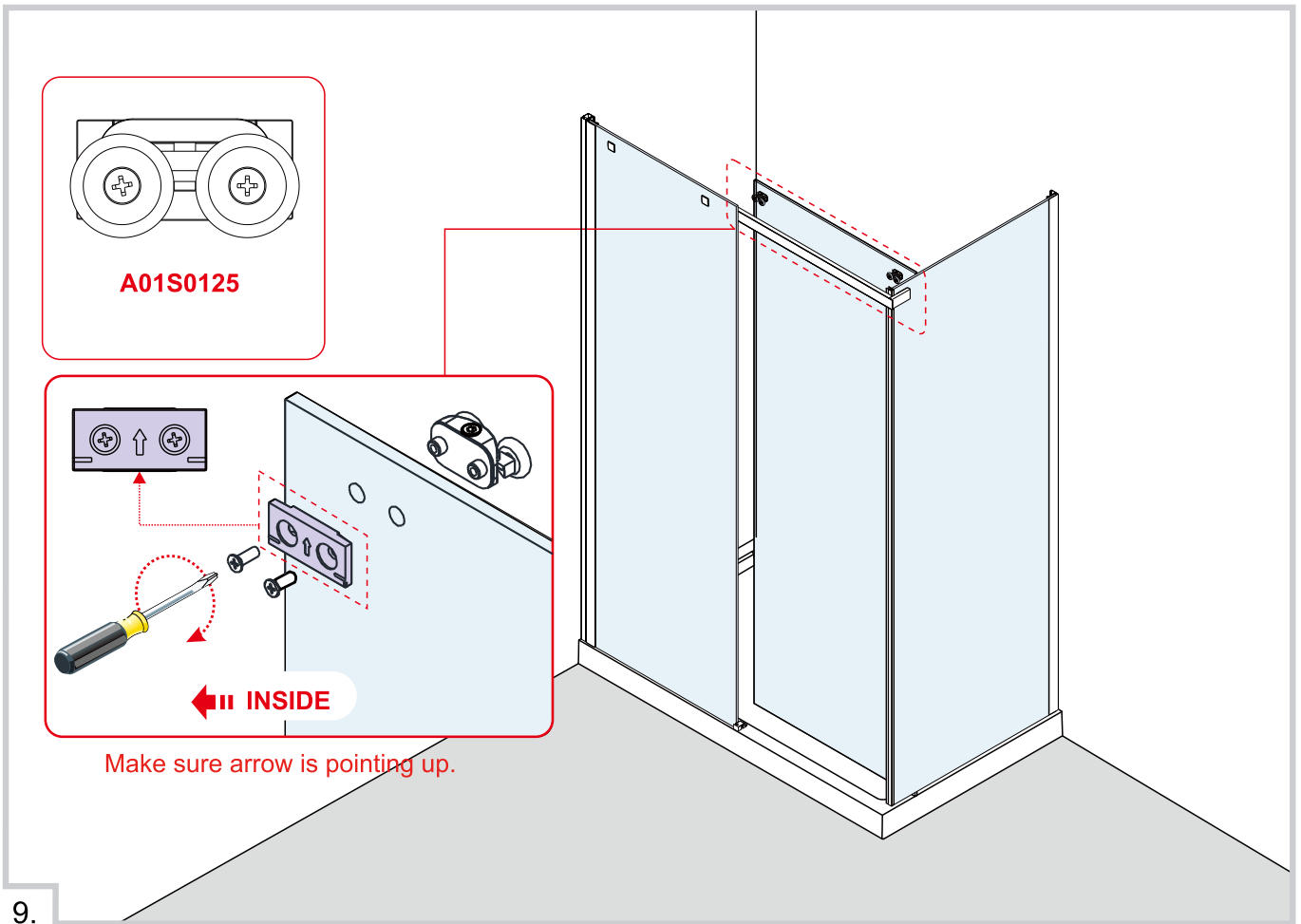


Keep equal distance from the edge of the tray to the fixed panel

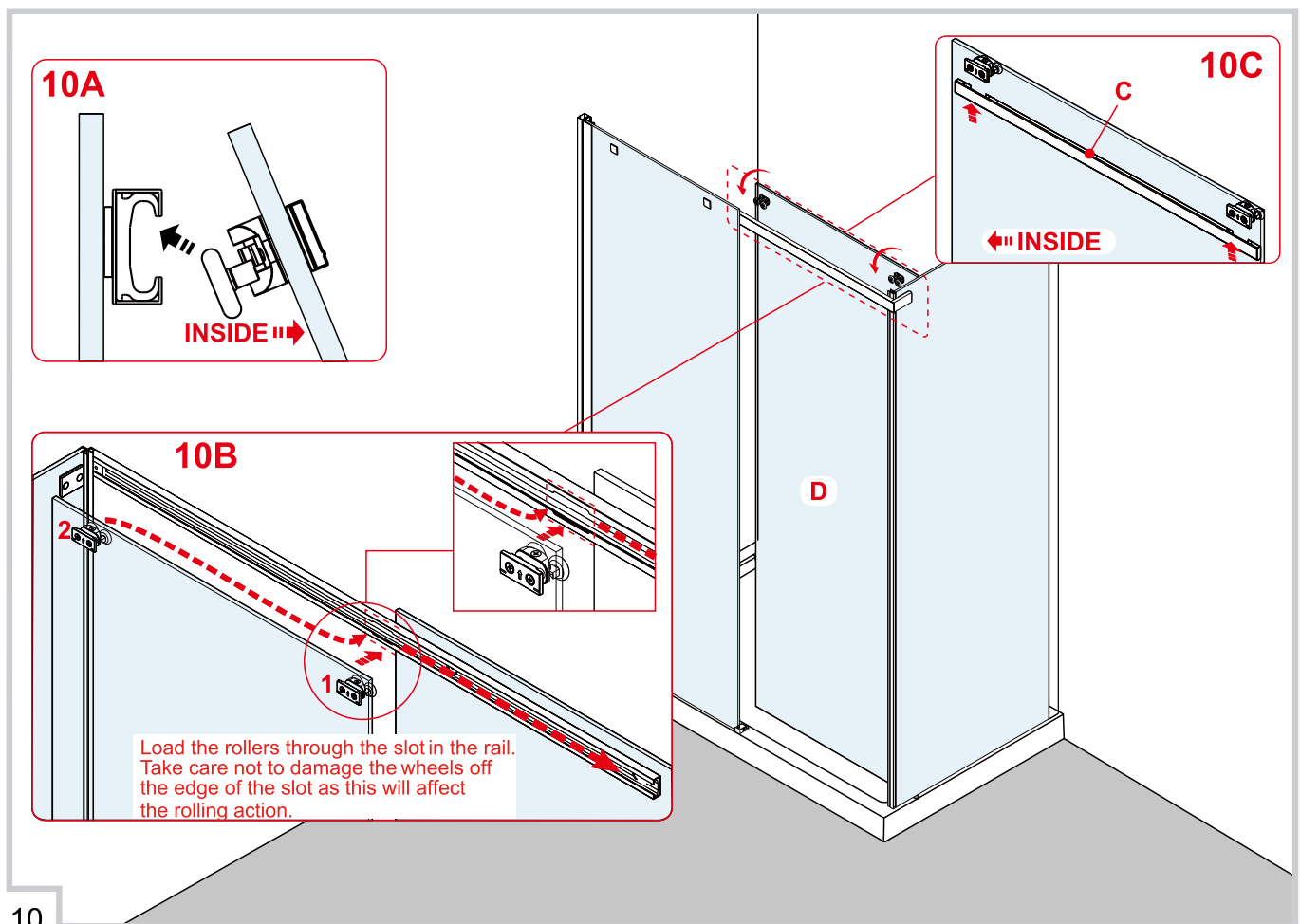
8B



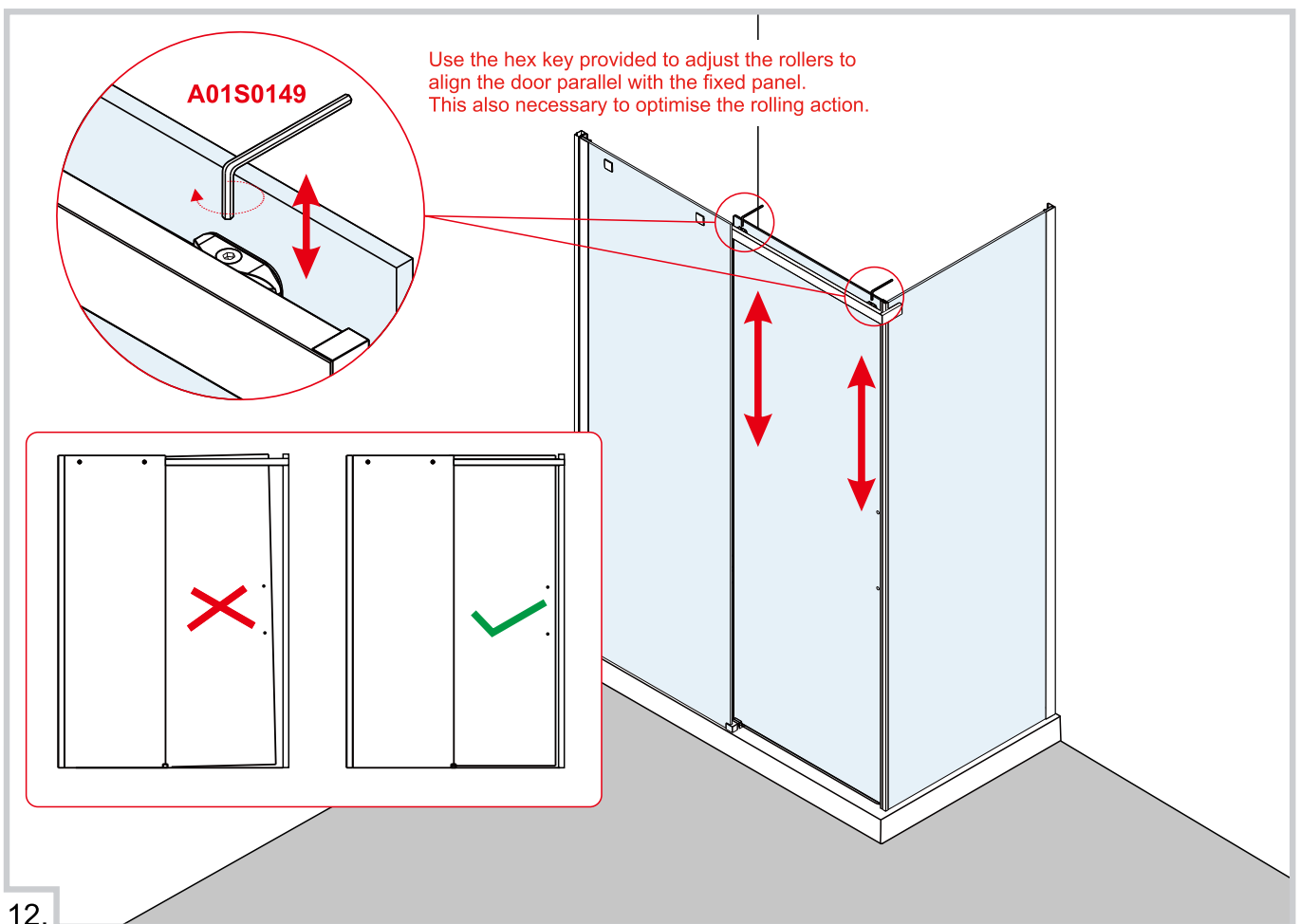
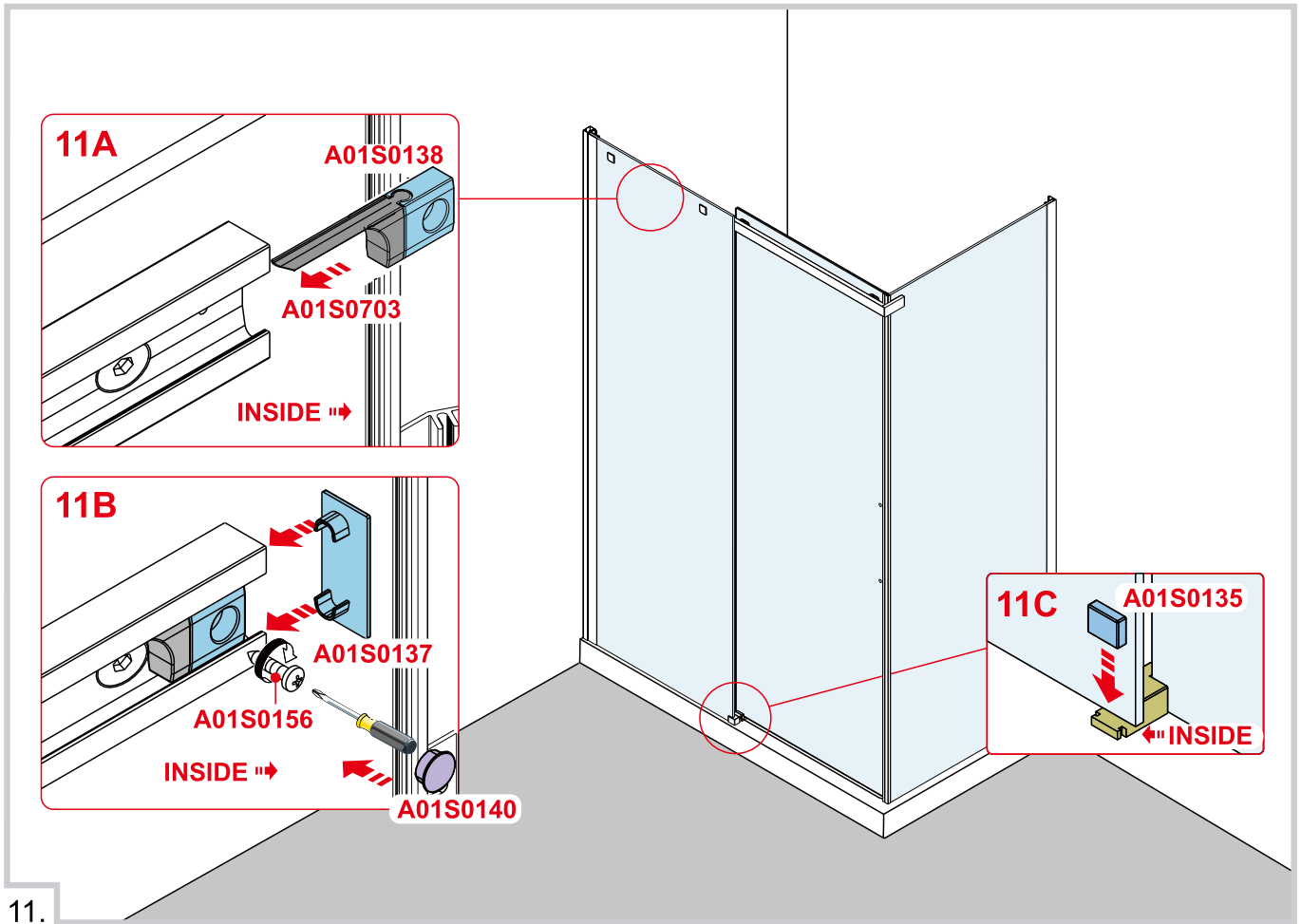
8.

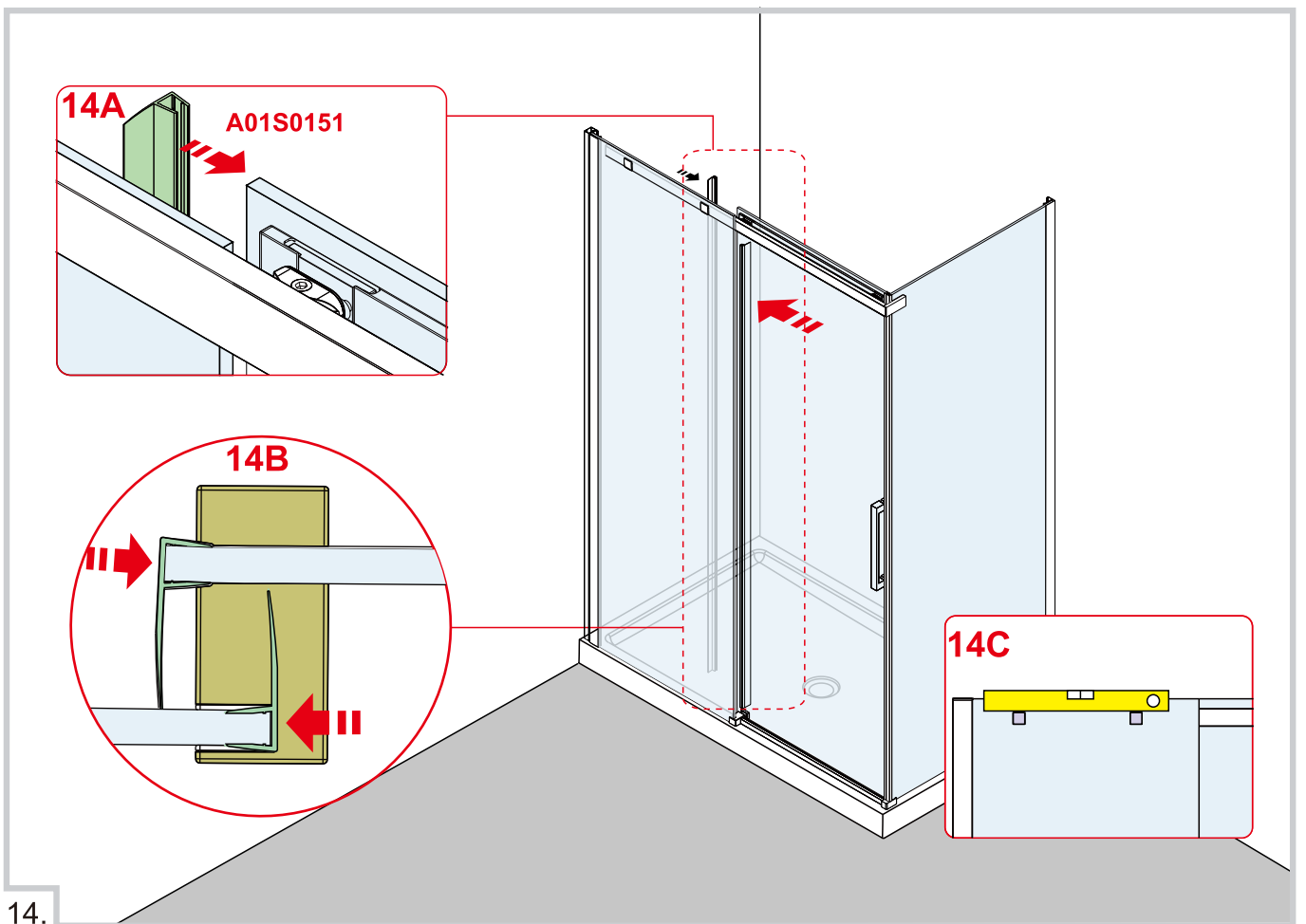
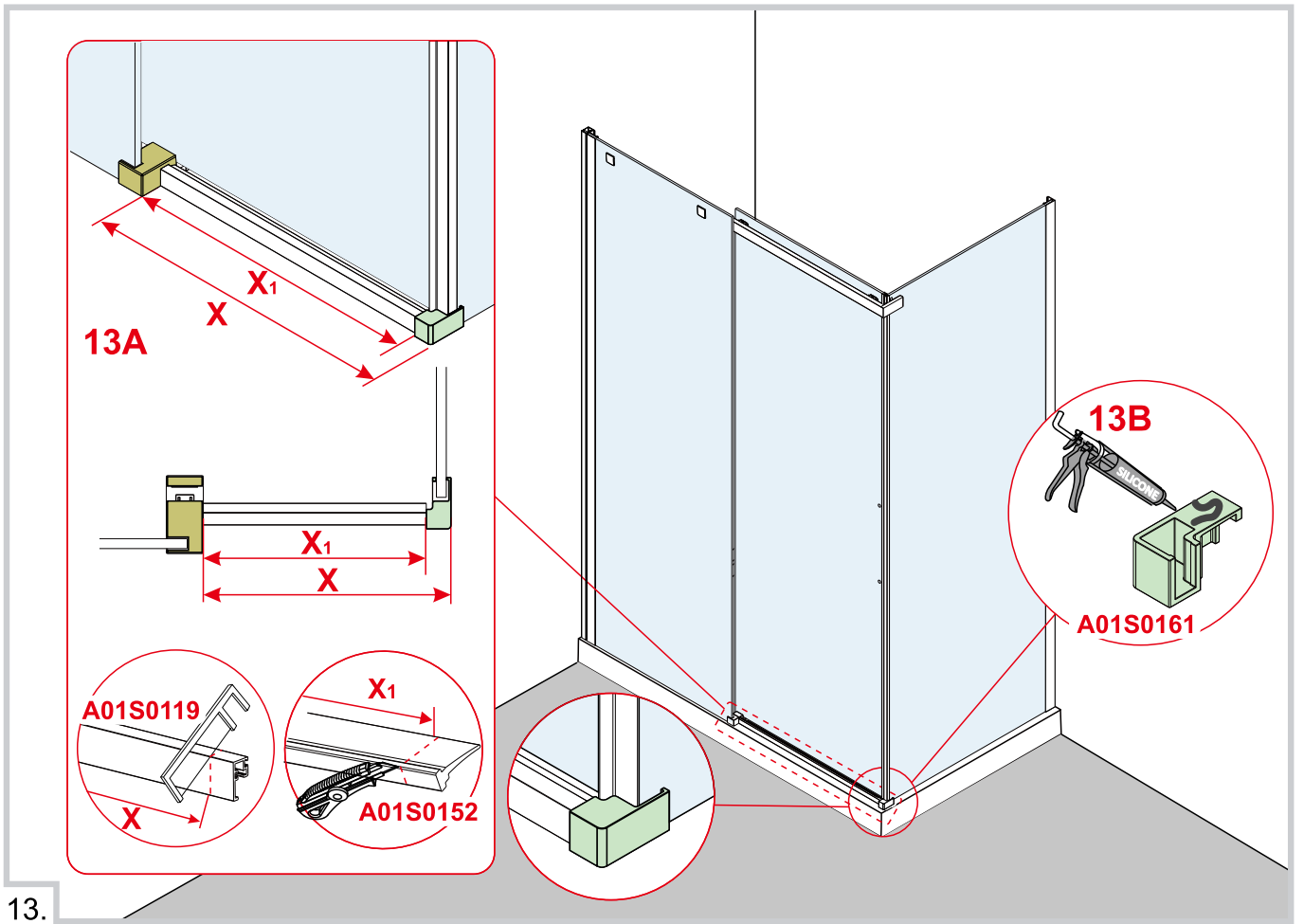


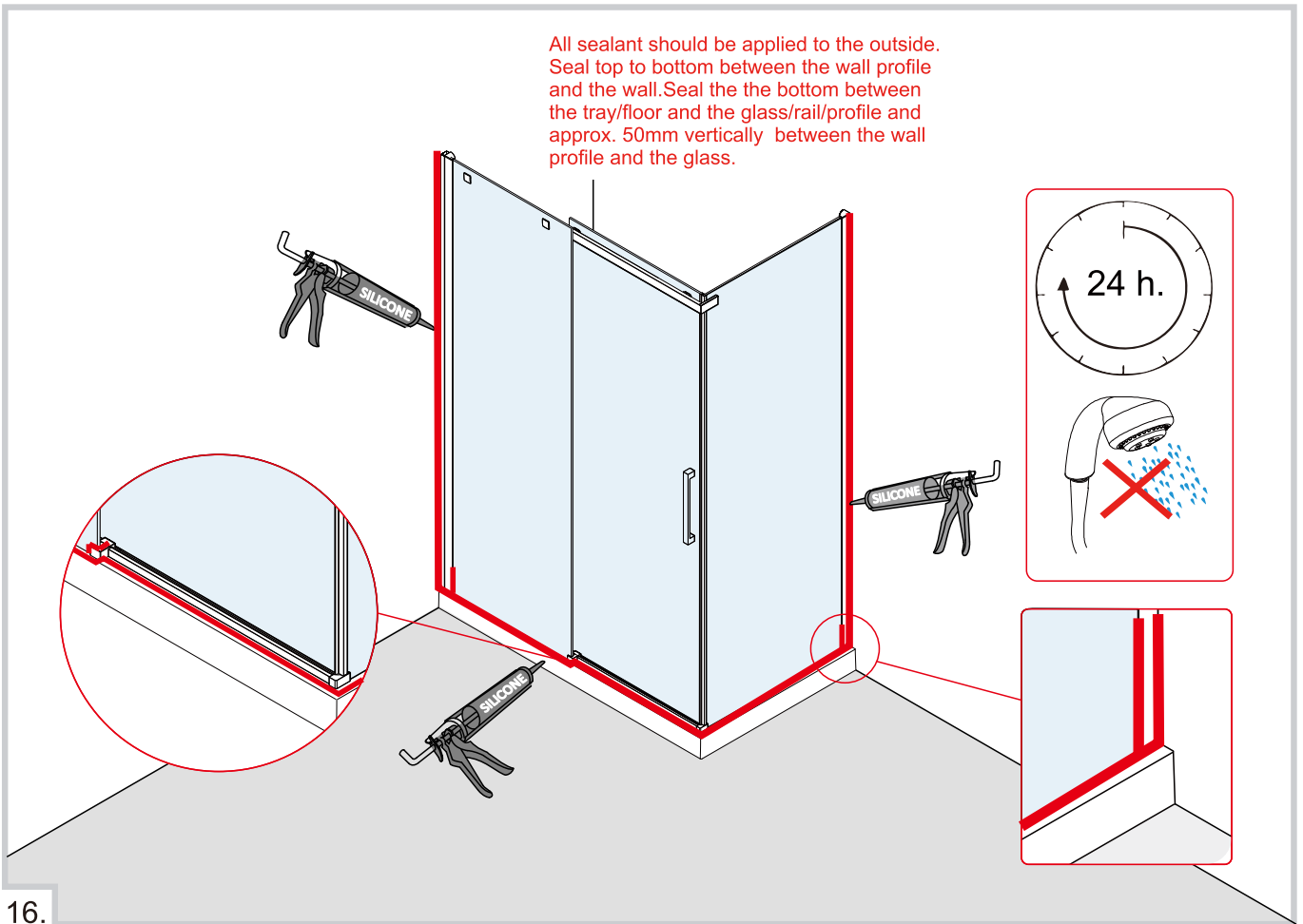
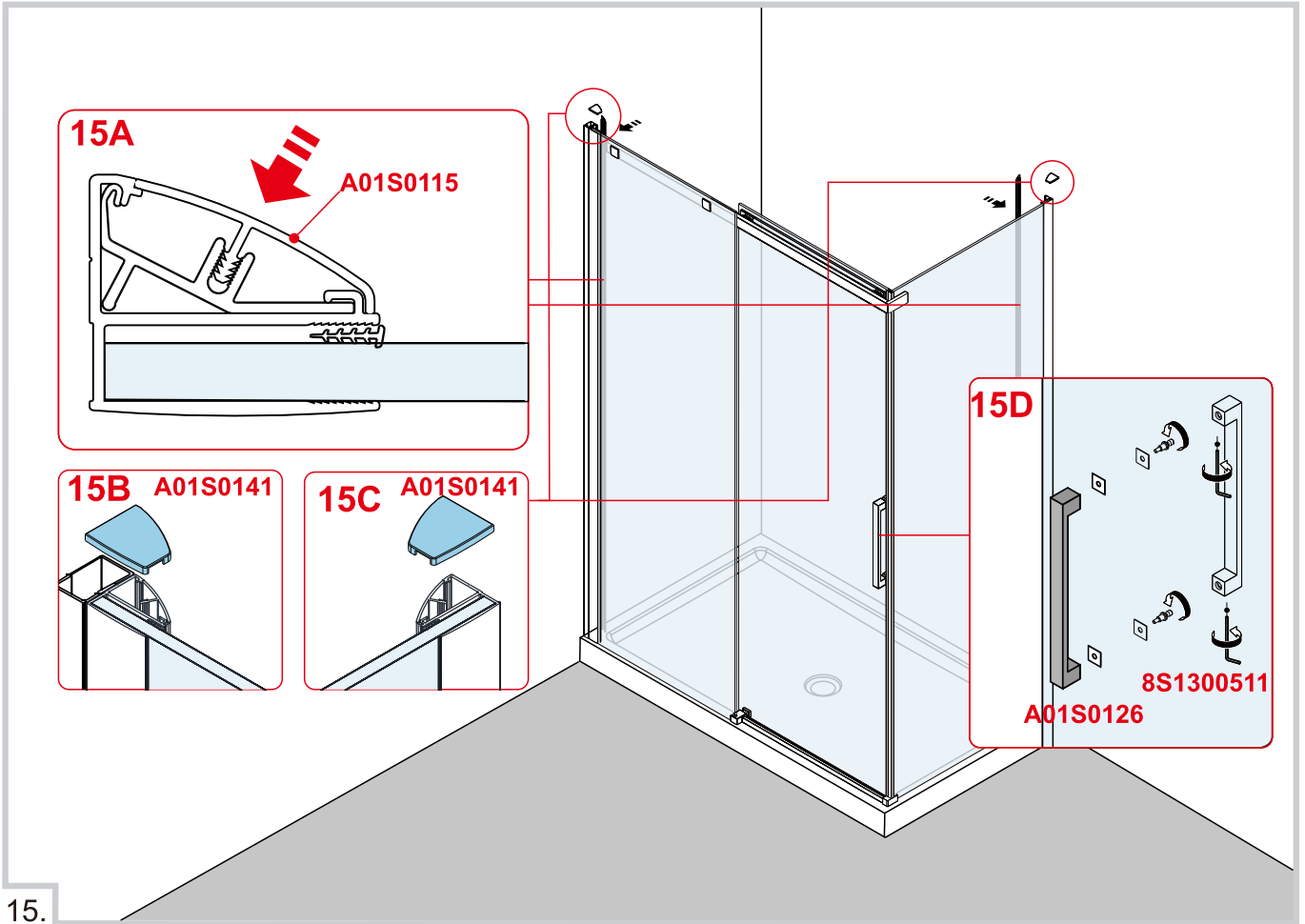
9.



10.







To download the Declaration of Performance (DOP) for this product please use the link below.

<https://merlynshowering.com/aftersales-support/dop-certs/>

For further information please contact IRL: 056 7791 555,UK:08081011429