

# J EBAS C

## JAVA Tap Range Java Eco Basin Mixer with Clicker Waste Chrome



### Features:

- Long life ceramic cartridge for added durability and ease of use
- Metal fixing nut for added durability
- Supplied with 3.5 litre per minute flow limiting aerator to reduce water consumption and increase water efficiency
- Chrome plated to BS EN 248
- Metal fixing nut for added durability

### Product Certifications:



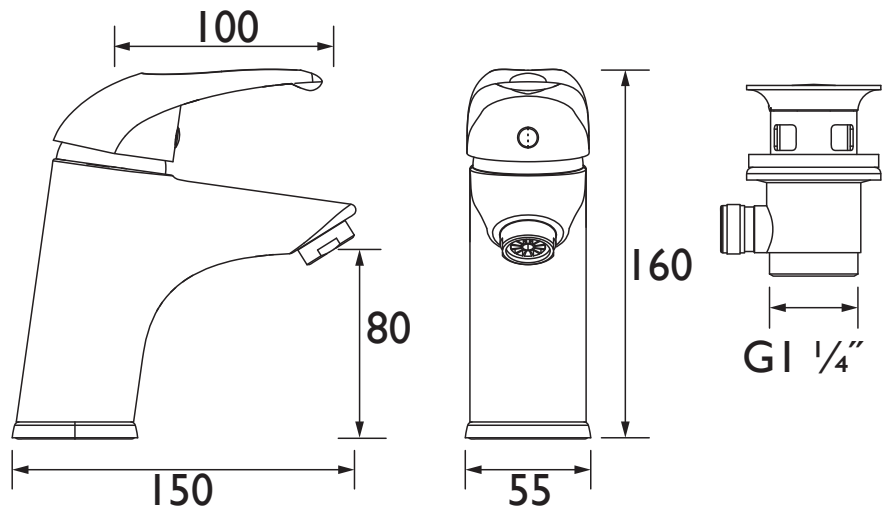
For more products, visit our website:  
<http://www.bristan.com>



### Specification

Product Type:	Bathroom Tap
Main Construction Material:	Brass
Mount Type:	Deck Mounted
Handle Type:	Lever Handle
Connection Inlet:	M10 x 400mm x 1/2" BSP Flexi Tails
Connection Outlet:	3.5l/min Flow Limiting M24 Aerator
Number of Tap Holes:	1
Valve/Cartridge Type:	40mm Single Lever Cartridge
Plumbing System Requirements:	Suitable for all plumbing systems
Minimum Dynamic Pressure (bar):	0.5 bar
Maximum Dynamic Pressure (bar):	5.0 bar
Maximum Hot Water Temperature °C:	65°C
Maximum Static Pressure (bar):	10 bar
Flow Type:	Single Flow
Isolation Included:	No

### Dimensions (measurements in mm)



### Flow Rates (l/min)

System Pressure (bar)	0.5	0.5	1	2	3	5
J EBAS C (mixed)	3.5	3.5	3.5	3.5	3.5	3.5

## TECHNICAL DATA SHEET



# BRISTAN

D12