

# PRODUCT DATA SHEET

## KOKO Mini Basin Mixer Gunmetal

Product Code: KO-021



**SCUDO**  
BEAUTIFUL BATHROOMS

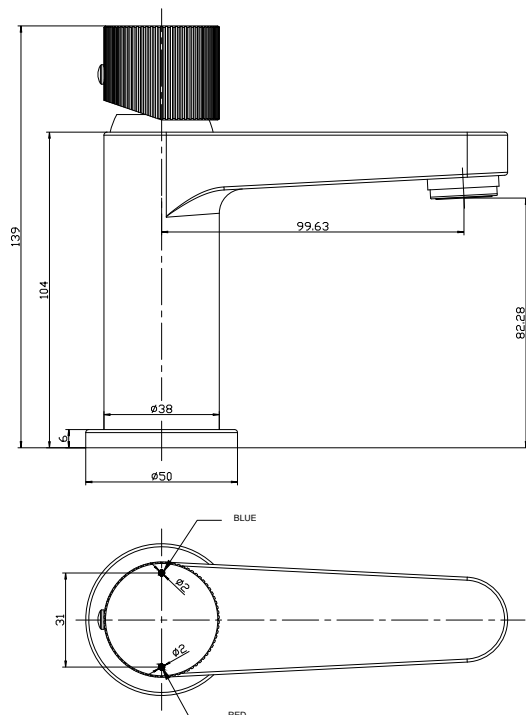
0330 124 7290

sales@scudo.co.uk - www.scudo.co.uk

Scudo is the trading name of Harrison Bathrooms Ltd. Whilst we endeavour to ensure that the product information is accurate we accept no liability for any information given. All images are for illustration purposes only. Product images and specification are subject to change. Measurements are in millimetres and are nominal.

Product Name	KO-021
Product Description	KOKO Mini Basin Mixer Gunmetal
<b>Product Transportation</b>	
Barcode	5060991250247
Country of origin	CH
Commodity code	8481809000
<b>Product Measurements</b>	
Product Weight (KG)	0.83
Product Width (mm)	See line drawing
Product Height (mm)	See line drawing
Product Depth (mm)	See line drawing
<b>Primary Packed Measurements</b>	
Packaged Weight	1.14
Packed Height	345
Packed Width	175
Packed Length	75

<b>General Information</b>	
Construction Material	Brass
Installation type	Basin Mounted
Colour / Finish	Gunmetal
<b>Tap / Shower Attributes</b>	
WRAS Approved	TBC
TMV Approved	TBC
Minimum Operating Pressure (bar)	0.5
Maximum Operating Pressure (bar)	5
Flexible Tails Included	Yes
Number of tap holes required	1
Handle Type	Fluted
Swivel Spout	No
Inlet Connection	1/2
Outlet Connection	N/a
Tap Hole Diameter (mm)	35
Tap Type description	Mono Mixer
Includes Waste	No
Valve / Cartridge Type	35mm
<b>Flow Rates</b>	
0.2bar (l/min)	3.18
0.5bar (l/min)	5.27
1bar (l/min)	7.47
2bar (l/min)	10.65
3bar (l/min)	13.12
5bar (l/min)	16.95



**Dimensions**  
(Measurements in mm)



### LIFETIME GUARANTEE

We are confident in our products and we want our customer to be, we proudly give a lifetime guarantee on our taps and showers, further details can be found on our website.