

K 1/2 C

COLONIAL Tap Range Colonial Basin Taps Chrome



Specification

Product Type:	Bathroom Taps
Main Construction Material:	Brass
Mount Type:	Deck
Handle Type:	Lever
Connection Inlet:	1/2" BSP
Connection Outlet:	Open
Number of Tap Holes:	2
Valve/Cartridge Type:	1/2" Compression Valve
Plumbing System Requirements:	Suitable for all plumbing systems
Minimum Dynamic Pressure (bar):	0.2 bar
Maximum Dynamic Pressure (bar):	5 bar
Maximum Hot Water Temperature °C:	65°C
Maximum Static Pressure (bar):	10 bar
Isolation Included:	No

Features:

- Crosshead handles for ease of use
- Metal back nuts for added durability
- Supplied with metal handles
- Chrome plated to BS EN 248

Product Certifications:



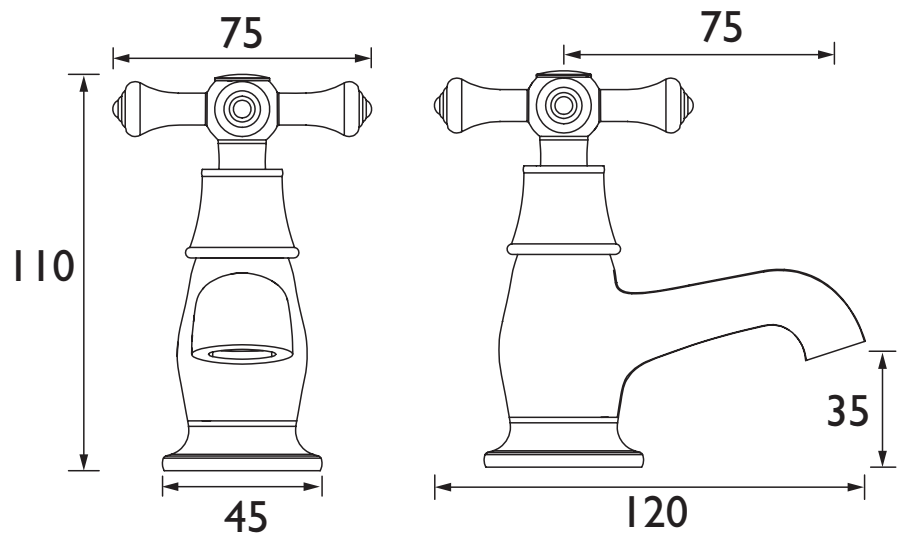
WRAS Certificate No: 2206901
WRAS Expiry Date: 30/06/2027



For more products, visit our website:
<http://www.bristan.com>



Dimensions (measurements in mm)



Flow Rates (l/min)

System Pressure (bar)	0.2	0.5	1	2	3	5
K 1/2 C (Cold)	10.9	17.3	24.4	34.5	42.3	54.6
K 1/2 C (Hot)	10.9	17.3	24.4	34.5	42.3	54.6

TECHNICAL DATA SHEET



BRISTAN

D9