

N2 SQSHXDIV C

1901 Shower Range 1901 Exposed Sequential Chrome Shower Valve with Rigid Riser Kit



Features:

- 15mm inlet connections
- Easy replacement with adjustable inlets so you can use on existing pipework centres between 136mm and 158mm
- Thermostatic cartridge with preset temperature stop at 42°C
- Supplied with 2 x 8L/min flow regulators
- Includes external diverter, shower rose, rigid riser and rub-clean anti-limescale handset

Product Certifications:



WRAS Cert. Number: 2207908
WRAS Expiry Date: 31/07/2027



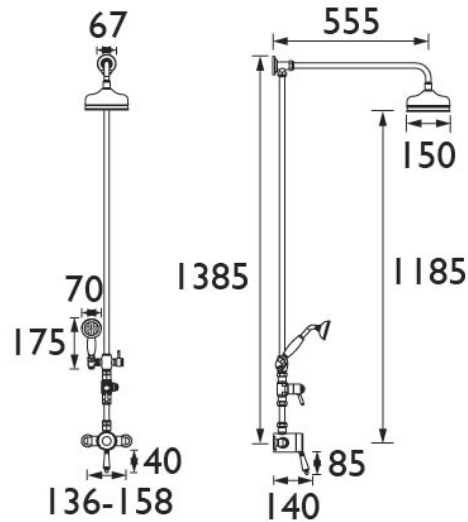
For more products, visit our website:
<http://www.bristan.com>



Specification

Finish/Colour:	Chrome Plated
Main Construction Material:	Brass
No of Controls:	2
Shower Type:	Sequential
Shower Head Type:	Both
Valve/Cartridge Type:	Thermostatic Cartridge
Maximum Hot Water Supply Temperature °C:	65
Maximum Static Pressure: (bar)	10
Plumbing System Suitability:	All, preferably balanced
Minimum Dynamic Pressure:	0.2 bar
Connection Inlet:	15mm Compression Connections
Connection Outlet:	G 1/2"
Isolation Valve Included:	No
Check Valve Included:	Yes

Dimensions (measurements in mm)



Flow Rates (l/min)

System Pressure (bar)	0.2	0.5	1	2	3	5
Fixed Head	5	10.4	15.7	22.8	28.3	36.5
Fixed Head (Flow Limiter)	-	9	11.6	12.2	12.4	10.8
Handset	3.2	7.2	10.9	15.9	19.7	25.4
Handset (Flow Limiter)	-	6.7	10.3	11.6	12.3	10.6

TECHNICAL DATA SHEET



BRISTAN

TAPS & SHOWERS

D4