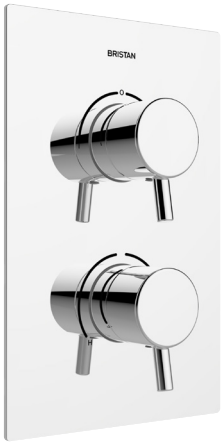


PM2 SHCDIV C

PRISM Shower Range

Prism Recessed Thermostatic Dual Control Shower Valve with Integral Two Outlet Diverter Chrome



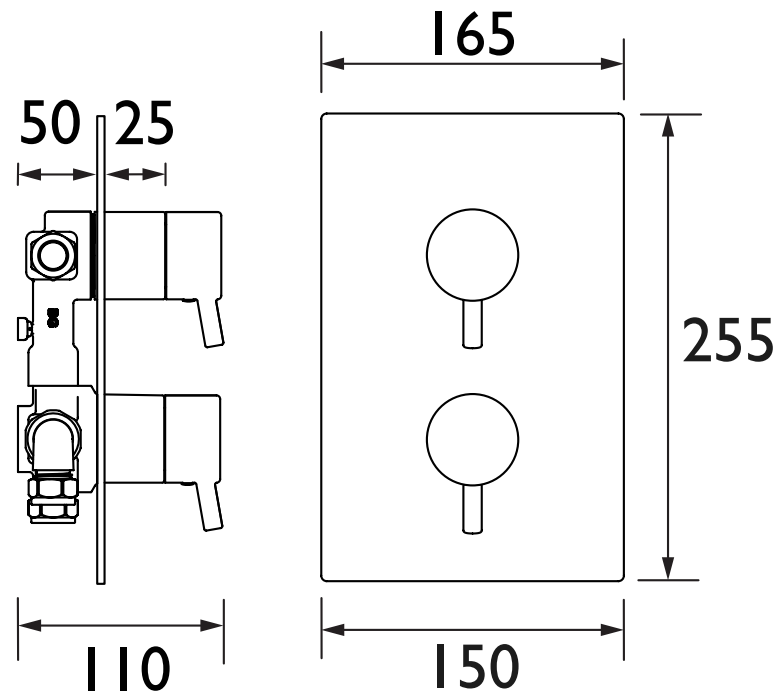
Specification

Finish/Colour:	Chrome Plated
Main Construction Material:	Brass; ABS
No of Controls:	2
Shower Type:	Dual Control
Shower Head Type:	None
Shower Kit:	N/A
Valve/Cartridge Type:	40mm Single Lever Cartridge
Maximum Hot Water Supply Temperature °C:	65
Plumbing System Suitability:	Suitable for all plumbing systems, ideally balanced
Minimum Dynamic Pressure (bar):	0.2
Maximum Dynamic Pressure (bar):	5
Maximum Static Pressure (bar):	10
Connection Inlet:	15mm Compression
Connection Outlet:	G 1/2"
Isolation Valve Included:	No
Check Valve Included:	Yes

Features:

- Slim design recessed shower valve will fit into a cavity space as small as 35mm for hassle-free installation.
- Includes integral two outlet diverter, which allows you to easily switch to an outlet of your choice such as a drench head or handset.
- Dual control - Flow and temperature are operated separately giving accurate control of both.
- Thermostatic cartridge with preset temperature safety stop at 42°C for family-safe showering. A higher temperature can be selected, if required, by selecting the override function.
- Automatic shut-off in the event of hot or cold water supply failure for family safe showering

Dimensions (measurements in mm)



Product Certifications:



WRAS Certificate No: 2005901
WRAS Expiry Date: 31/05/2025

Flow Rates (l/min)

System Pressure (bar)	0.2	0.5	1	2	3	5
Open Outlet (mixed)	8.7	14.5	21.1	30.3	37.3	48.3

TECHNICAL
DATA
SHEET



BRISTAN