

# BRISTAN

TAPS & SHOWERS

## Installation Instructions & User Guide

Please leave these instructions with the end user

Product Code: PR PULLSNK C (D1)

### Specifications

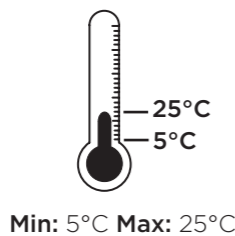
#### Dynamic Water Pressure



Maximum Static Pressure: 10.0 bar

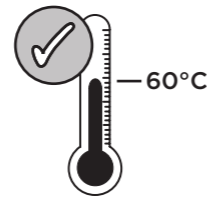
#### Inlet Water Temperature

##### Cold Water Supply



Min: 5°C Max: 25°C

##### Hot Water Supply



60°C Recommended

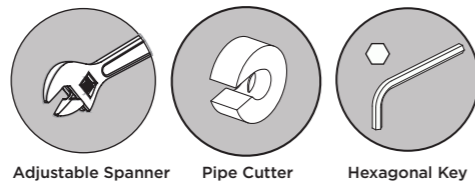
#### Inlet Connections



Marked red for hot and blue for cold

1/2" BSP Flexible Tails

### Tools You'll Need



Adjustable Spanner Pipe Cutter Hexagonal Key

### Prior to Installation

All products manufactured and supplied by Bristan are safe provided they are installed, used correctly and receive regular maintenance in accordance with these instructions.

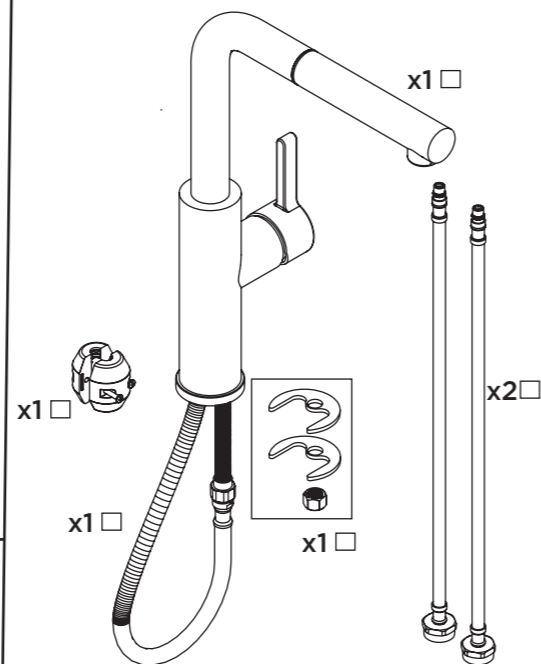
This product has been tested to the Water Regulations Advisory Scheme (WRAS) and satisfies the requirements of the Water Supply (Water Fittings) Regulations 1999 and current bylaws. For full Installation Requirements & Notes (IRN) please visit [wras.co.uk/directory](http://wras.co.uk/directory).

We recommend isolation valves to be fitted to the inlet water supplies to ensure ease of future maintenance.

Before installing these taps the water supply must be thoroughly flushed in order to remove any swarf, solder etc.

This product must not be modified in any way as this will invalidate the guarantee.

### Pack Contents

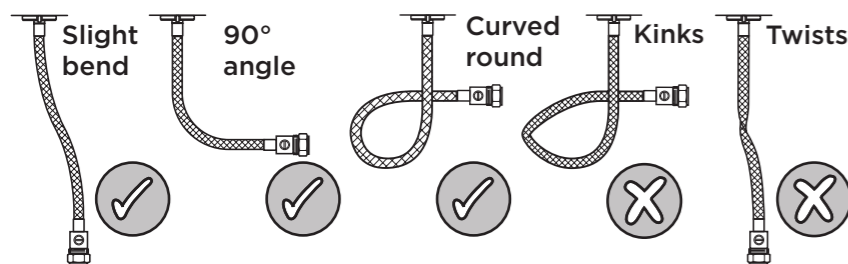


### Spare Parts

To replace any spare parts for your tap, why not scan the QR Code or visit [www.bristan.com](http://www.bristan.com) and search for your product.



### Flexible Connecting Pipes



### Warning from Your Water Supplier

It could be a criminal offence to use this tap with a mains water supply drawn directly from the supply pipe (the supply pipe is the one that brings the water supply into your home and is directly connected to the public water main).

This tap has an outlet on a flexible hose, which if immersed in water, could result in contaminated water being back drawn into the pipework if the supply pressure dropped. To prevent contamination of drinking water in the premises and in the water main, and to comply with the legal requirement of the UK plumbing regulations and bylaws, both hot and cold water supplies to this tap must come from a storage cistern.

If the distributing pipes feeding this tap from the storage cistern have other outlets connected to them, the outlet of this tap must be lower than any of those other outlets.

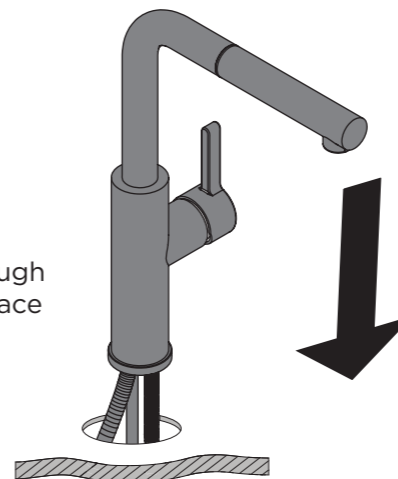
If installed as a tap which is used for drawing water for drinking, and the quality of the water from the storage cistern does not meet the standards for drinking water, a separate tap supplied with wholesome water must be provided for drinking purposes.

For further information, contact the Water Regulations Department of your Local Water Supplier (see WRAS website: [wras.co.uk](http://wras.co.uk)) or contact the Water Regulations Advisory Scheme by email ([info@wras.co.uk](mailto:info@wras.co.uk)) or telephone: 0333 207 9030

### Installation

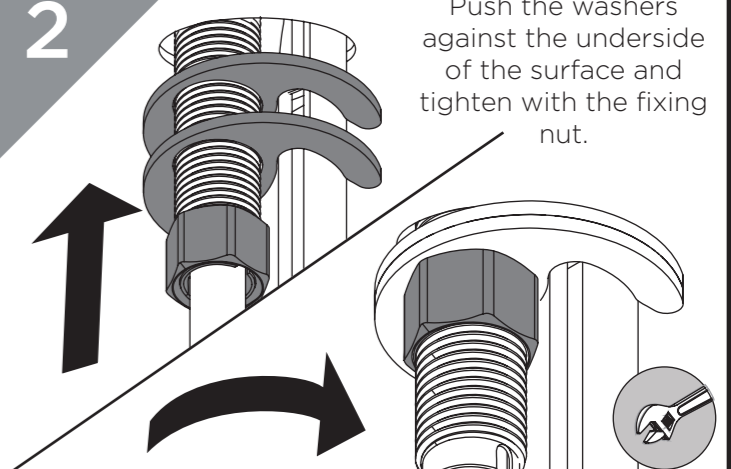
1

Feed the pipes through the sink hole and place the tap body.



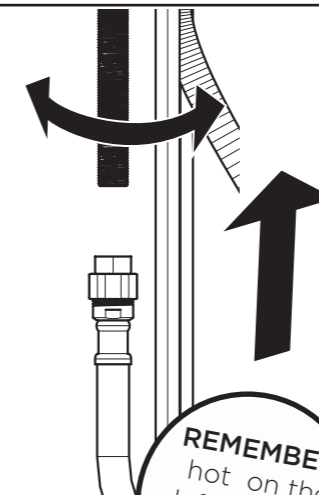
2

Push the washers against the underside of the surface and tighten with the fixing nut.



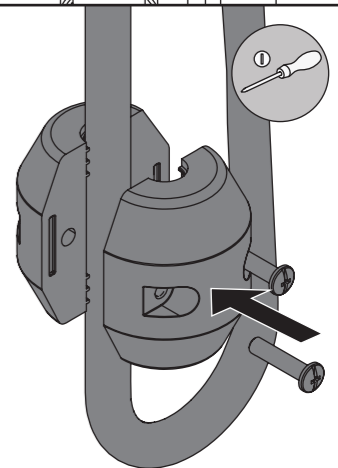
3

Screw the hose to the hollow threaded fixing rod. Handtighten only



4

Secure the hose weight just before the U-bend, on the section of the hose leading up to the mixed pipe connector

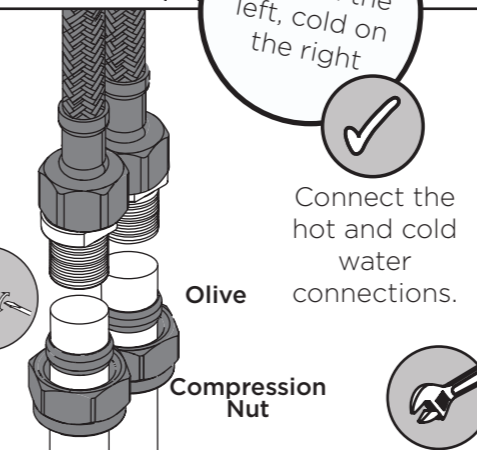


5

IMPORTANT fit isolation valves for future maintenance

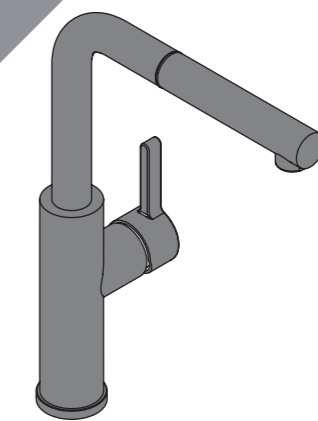
REMEMBER hot on the left, cold on the right

Connect the hot and cold water connections.

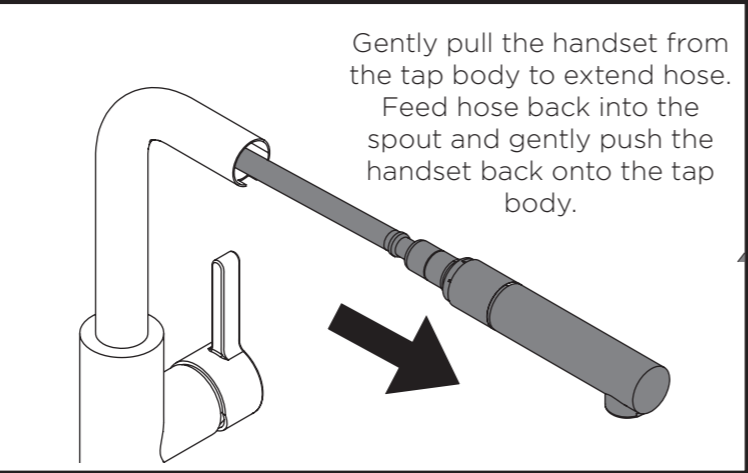
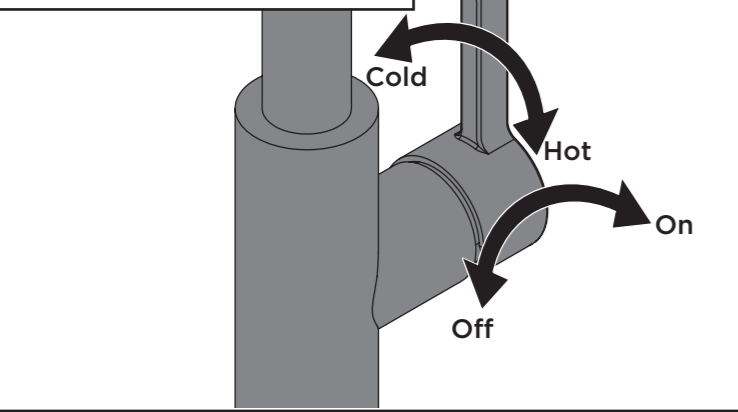


6

Switch on the water supply and check connections for any leaks.



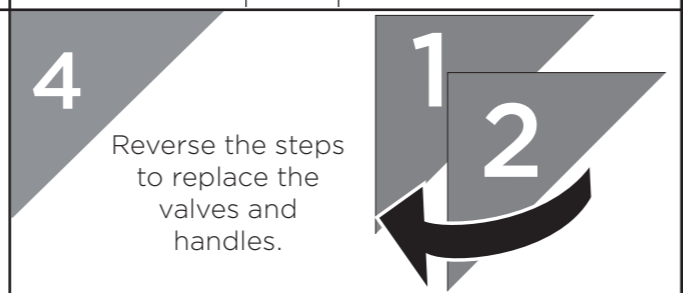
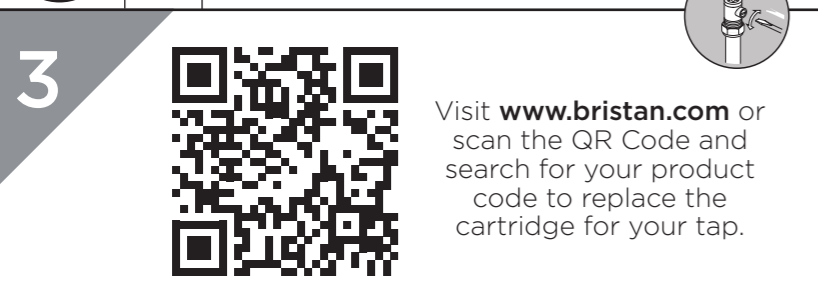
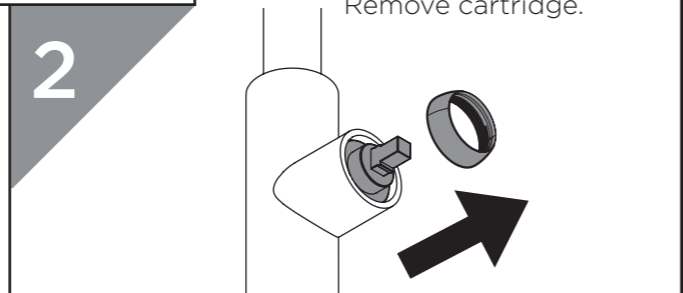
## Operation



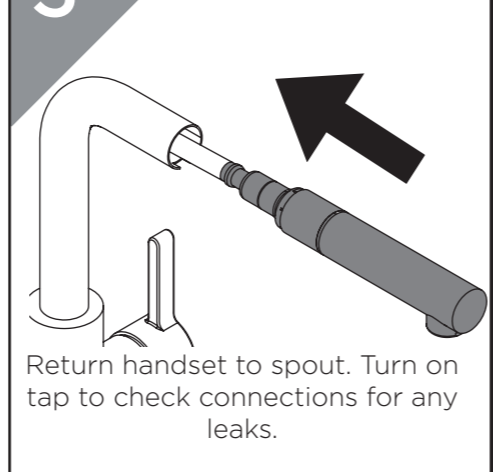
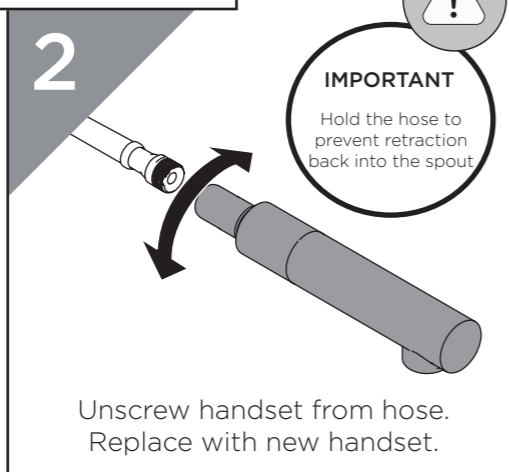
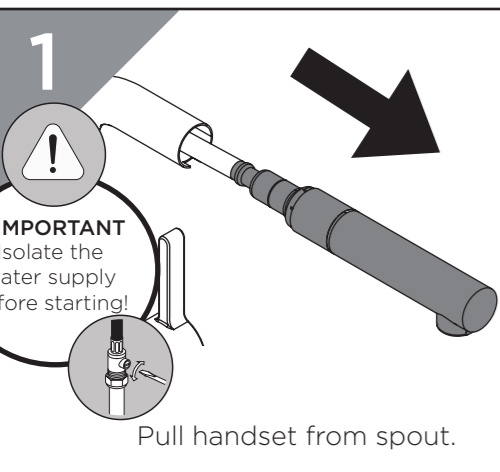
## General Cleaning

Bristan products are made from premium materials, with hand polished, PVD, EPD or electroplated finishes. Your tap should be regularly cleaned with warm water, a mild pH-neutral liquid soap, and polished with a soft cloth. Any residues from soap, toothpaste, shampoos and shower gels can cause blemishes if not rinsed off straight after use. Household bleaches and cleaners contain harsh chemicals and may damage the surface finish. Avoid using abrasive cloths, scouring pads, scrub sponges, steel wool or anything similar. Some surfaces such as nickel and pewter may be affected by the dye found in some cloths, so it is also important to avoid hanging cloths on spouts.

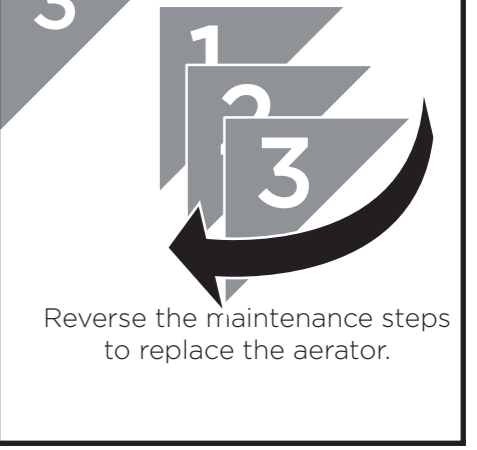
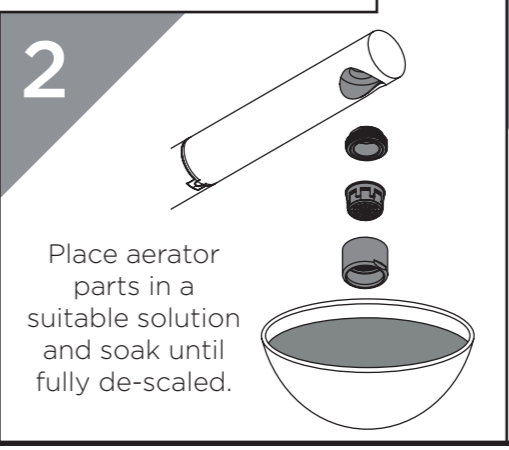
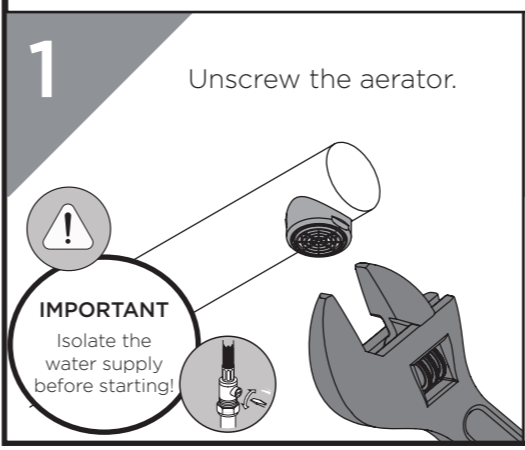
## Maintenance - Cleaning/Replacing Cartridge



## Maintenance - Replacing Handset



## Maintenance - Clean/Replace Outlet



## Troubleshooting

Symptom	Cause(s)	Remedy
<b>No flow or low flow rate</b>	Partially closed isolation valve.	Open isolation valve.
	Head of water is below the minimum distance required.	Refer to specification for minimum distance required.
	Hot or cold water being drawn off elsewhere causing pressure changes or instantaneous boiler temperature changes.	Do not use other water outlets when using the taps.
	Airlock or partial blockage in the supply pipework or hoses.	Flush through pipework to ensure removal of debris and any airlocks.
	Hose is leaking due to aging/damaged O-Rings or Anti-Friction seals	Call Customer Services for replacement seals
<b>Water dripping from taps</b>	This is normal for a short time after using the taps.	This is caused by residual water tension, the build up of water in the tap body.
	If water continues to drip, possibly due to the ceramic disc valves/cartridge	Remove valves/cartridge and clean, refer to 'Maintenance' section before starting any maintenance.
<b>Taps do not turn on</b>	Closed isolation valve.	Open isolation valve.
	Mains water supply turned off.	Turn on mains water supply.
<b>Hose doesn't release/return properly</b>	Hose is blocked/kinked/twisted or snagged on other objects.	Isolate the water supply and check the hose for any blockages or defects. Ensure the area is clear so the hose can't get snagged on other objects.
<b>Handset Pressure Changes</b>	Site water pressure is too high for the working pressures listed on the specification.	Install a Pressure Reducing Valve in order to achieve working levels of pressure.

## Contact Us

**Bristan Group Ltd.**

**UK:** Bristan Group, B78 1SG.  
**EU:** Masco Europe S.à.r.l.  
 14 Rue Strachen  
 6933 Mensdorf  
 Luxembourg

**Customer Service:** +44330 026 6273  
**Web:** [www.bristan.com](http://www.bristan.com)  
**Email:** [enquire@bristan.com](mailto:enquire@bristan.com)

**A Masco Company**

At Bristan, we want to make things as easy as possible for our customers. That's why we offer solid guarantees on all our products, effective from the date of purchase, to give you peace of mind.

To start your free guarantee simply scan the QR code and register your product. Alternatively visit [www.bristan.com/register](http://www.bristan.com/register).

For any other queries, please call our Customer Service on 0330 026 6273 where our expert team of advisors will be able to offer you any help and advice.

For full guarantee terms and conditions visit [www.bristan.com/service-centre/guarantees](http://www.bristan.com/service-centre/guarantees)

