

6mm Double Bathscreen

ASSEMBLY GUIDE

IMPORTANT

- 1.. The cubicle can be constructed either way up, for left or right hand opening.
- 2.. These instructions and list of parts assume that installation is done against solid or tiled walls. Hollow or "Stud - partition" walls will require alternative fixings. Please consult a hardware supplier for the correct type. It may also be necessary to consult your tiling supplier about the correct method for drilling your tiles.
- 3.. Please check this product for damage prior to starting the installation. No claims can be made after the products have been fitted, or after fitting has commenced.
- 4.. This is a 2 person installation.
- 5.. Please note the minimum and maximum adjustment for this product are based on perfectly plumb walls.

Tools Required *Please note hand tools **NOT** supplied.*



Drill



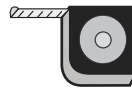
7mm Masonry Drill
3.2mm HSS Drill



Spirit Level



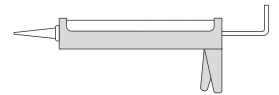
Pencil



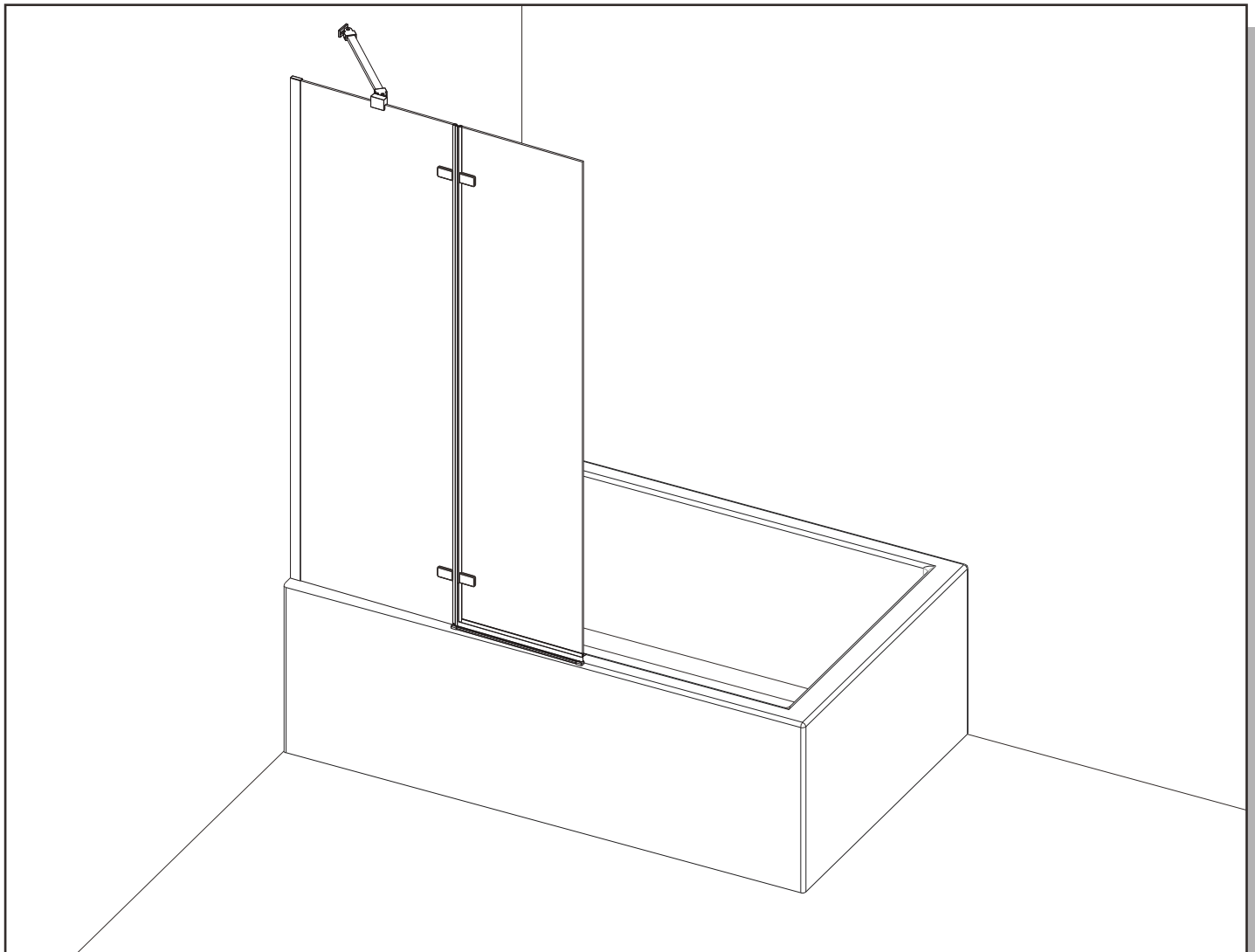
Tape Measure



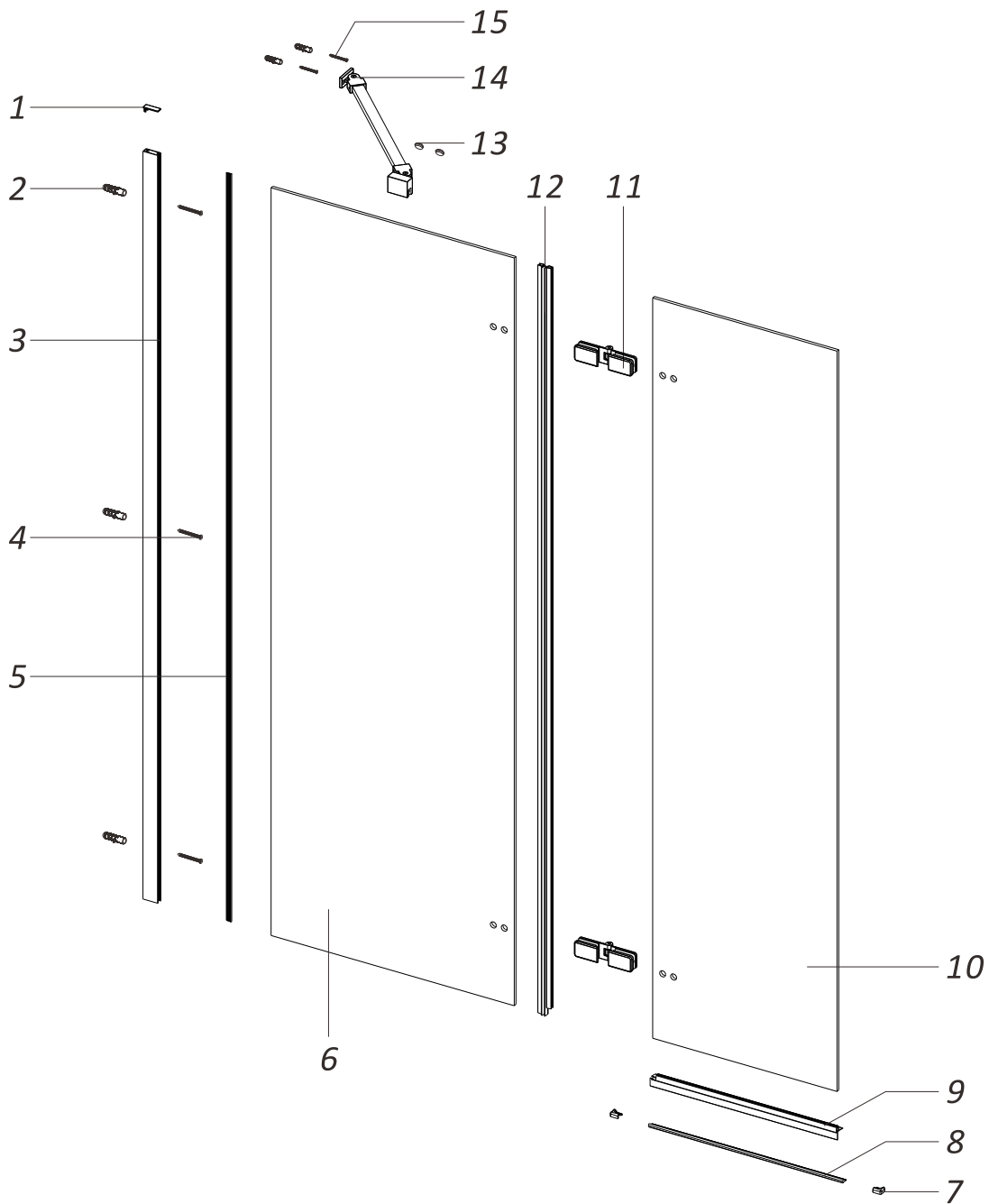
PH2 TYPE
Screwdriver



Sealant Gun



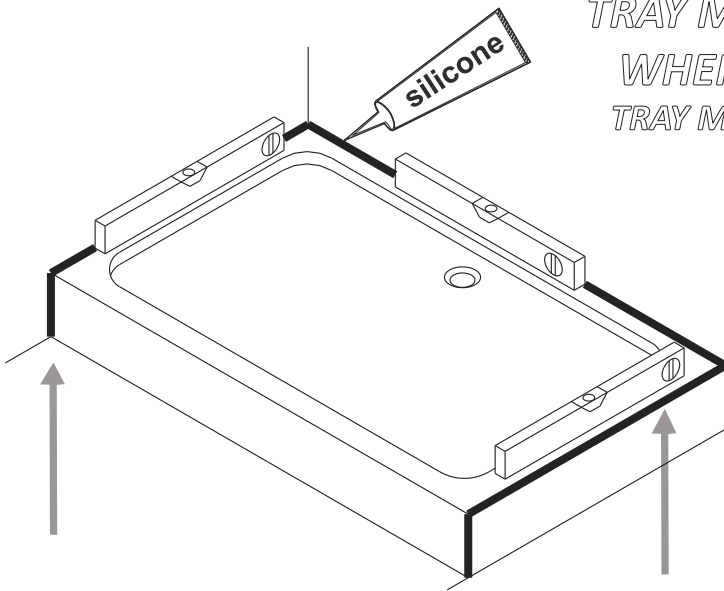
EXPLODED VIEW AND PARTS LIST



Parts List:

SN	CODE	Descript on	Qty	Image
1	N01669	Wall Profile Cover Cap	1	
2	N01135	Wall Plugs	5	
3	LCT078	Wall Profile	1	
4	M20430	Screws ST4x30	3	
5	JT0058-2.5T	Seal	1	
6	A	Fixed Panel	1	
7	N01114 / N01115	Drip Strip End Caps L/R	2	
8	LR12345	Drip Strip	1	
9	JT0004-6-16/14TS	Bottom Seal	1	
10	B	Moving Panel	1	
11	M02101	Hinges	2	
12	JT0091-6TS	Seal	1	
13	N011288	Barge Bumpers	2	
14	M03118	Top Bar	1	
15	M22430	Screws ST4x30	2	

**TRAY MUST BE SEALED FULLY AROUND
WHERE THE TRAY MEETS THE WALL
TRAY MUST BE 100% LEVEL IN ALL DIRECTIONS**

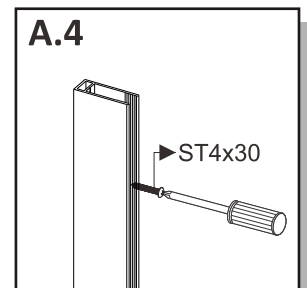
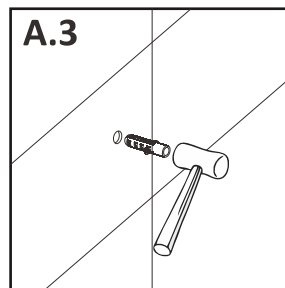
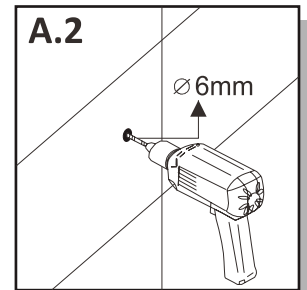
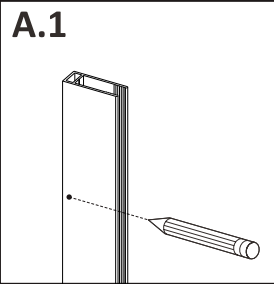
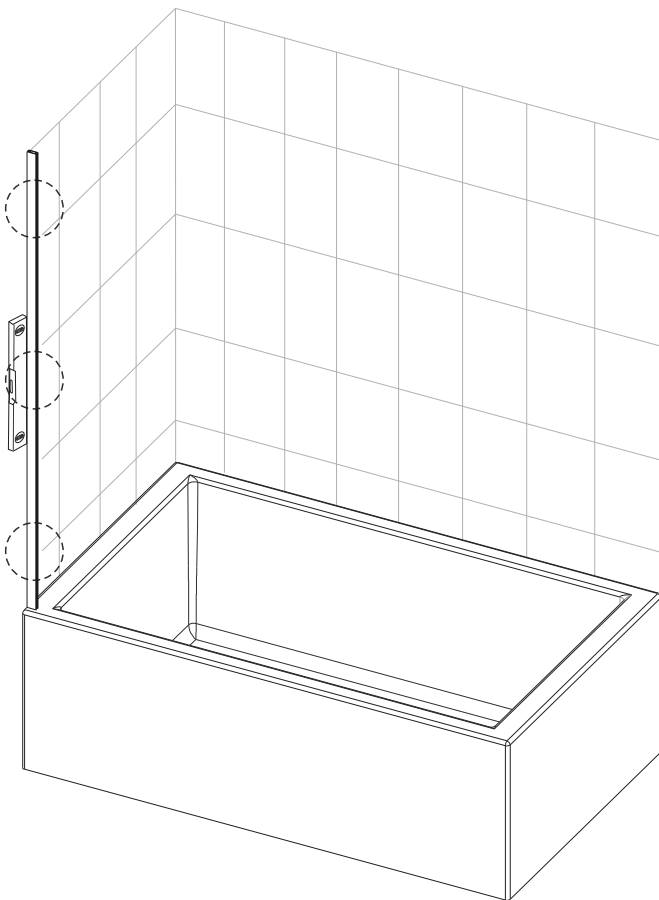


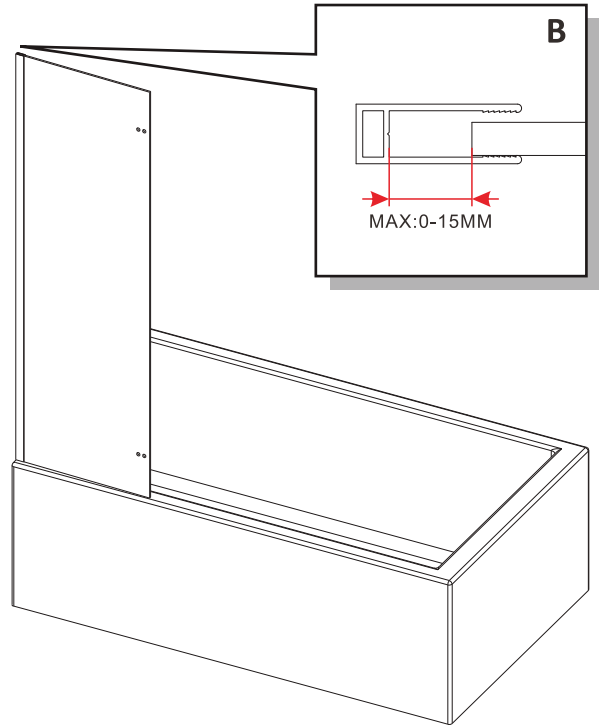
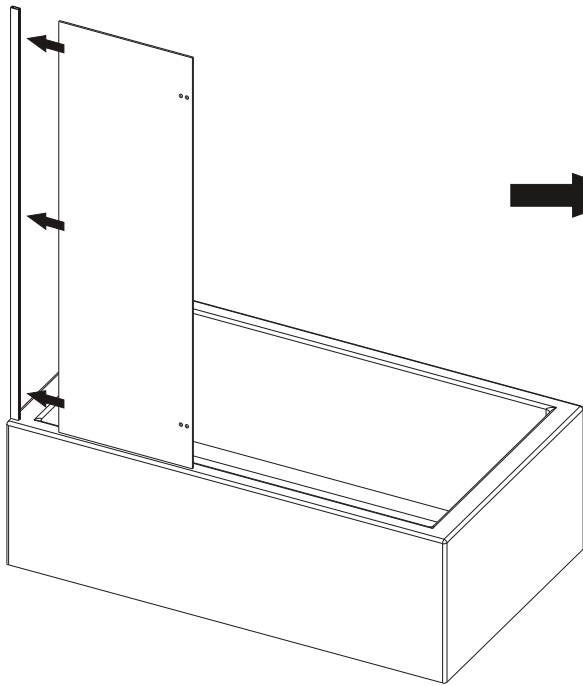
**TRAY MUST BE 100% LEVEL IN ALL DIRECTIONS
TRAY MUST BE SEALED FULLY AROUND WHERE
THE TRAY MEETS THE WALL**

nsure the shower tray is level in all directons and is properly sealed to the wall. The wall must be tied down to the top edge of the tray. Do not angle out oto tile.

Step A

Position the wall profile back on the tray ensuring the wall profile are plumb, mark the position of the holes in the wall. Do this by marking the wall with a pencil through the pre-drilled holes in the wall profile. Drill with 6mm masonry drill bit and insert wall plug. Fitting wall profile to the wall.



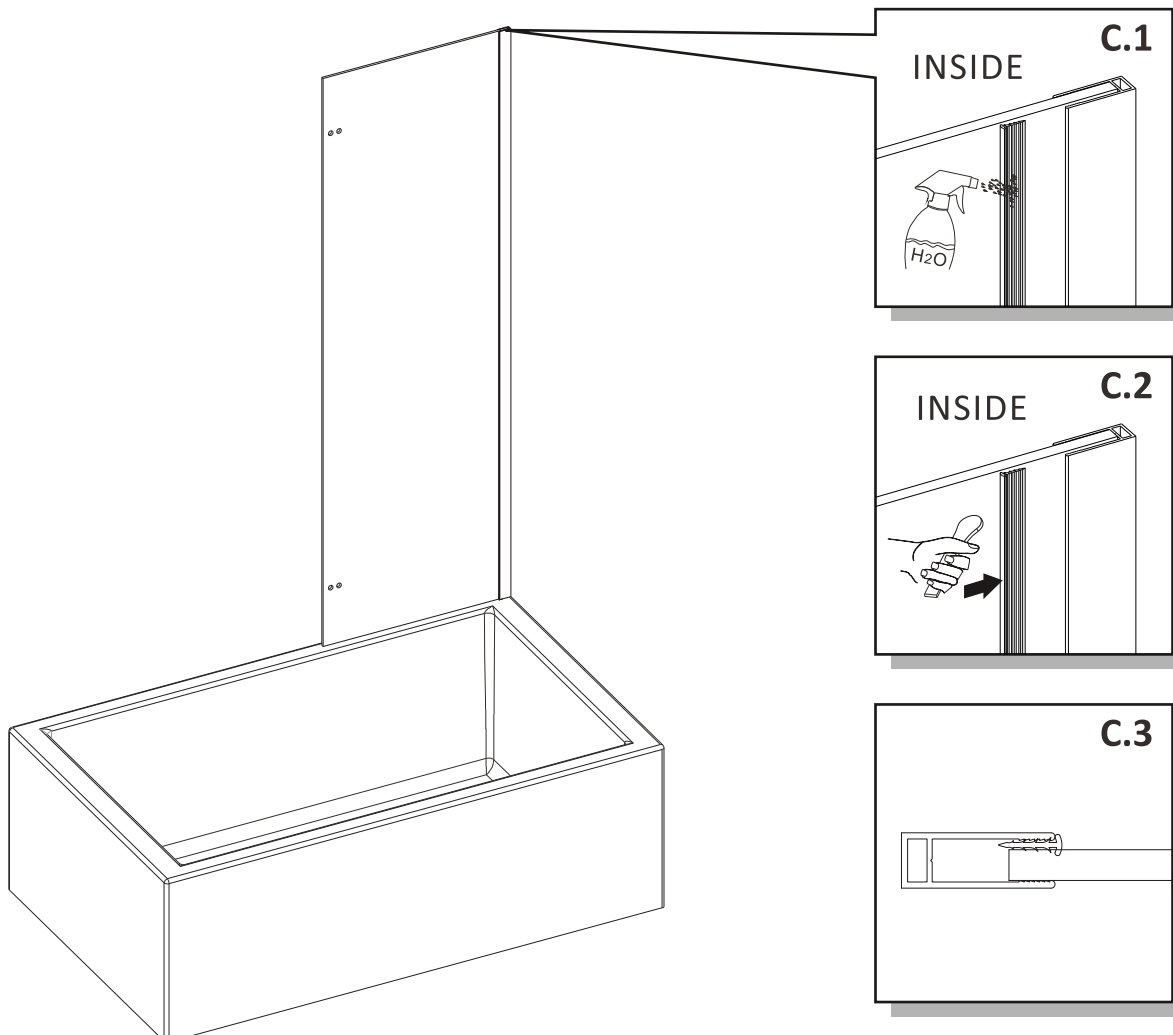


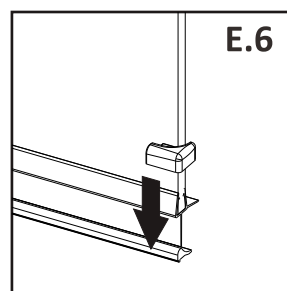
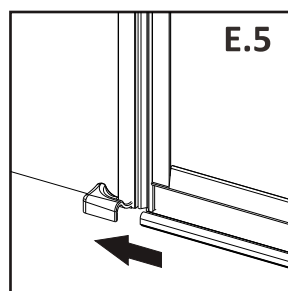
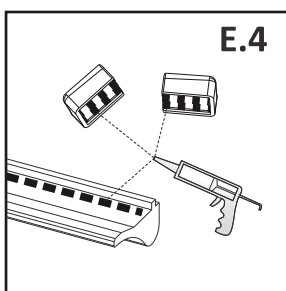
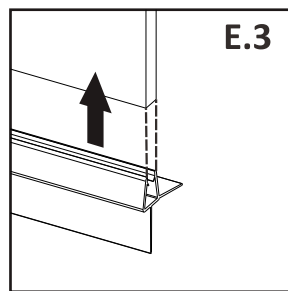
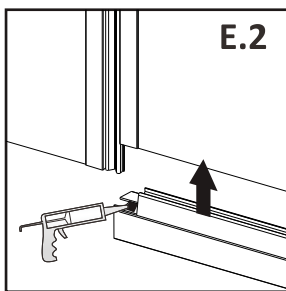
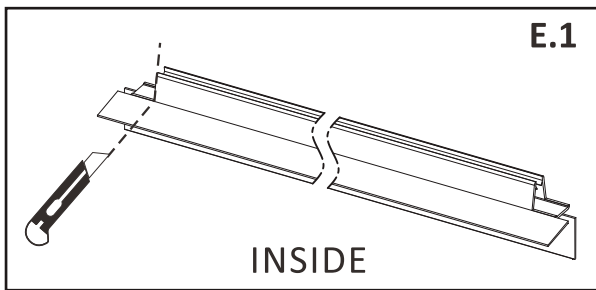
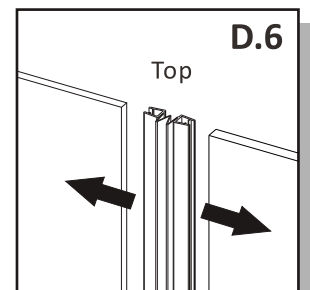
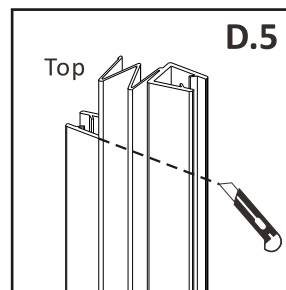
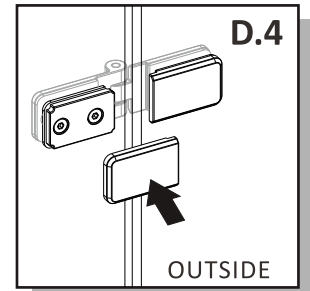
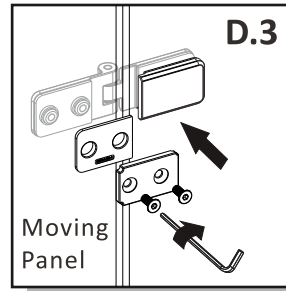
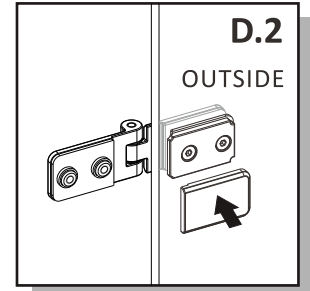
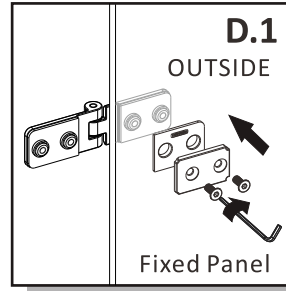
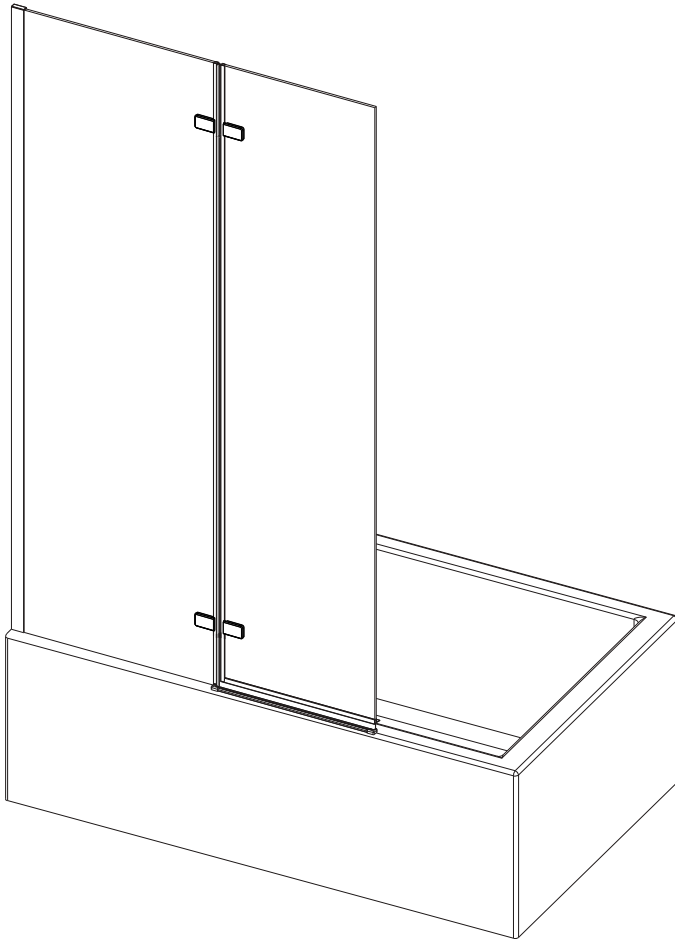
Step B

Fitting the moving panel A.

Step C

Fitting to the wall profile, Take care not to drill into the glass.





Step D

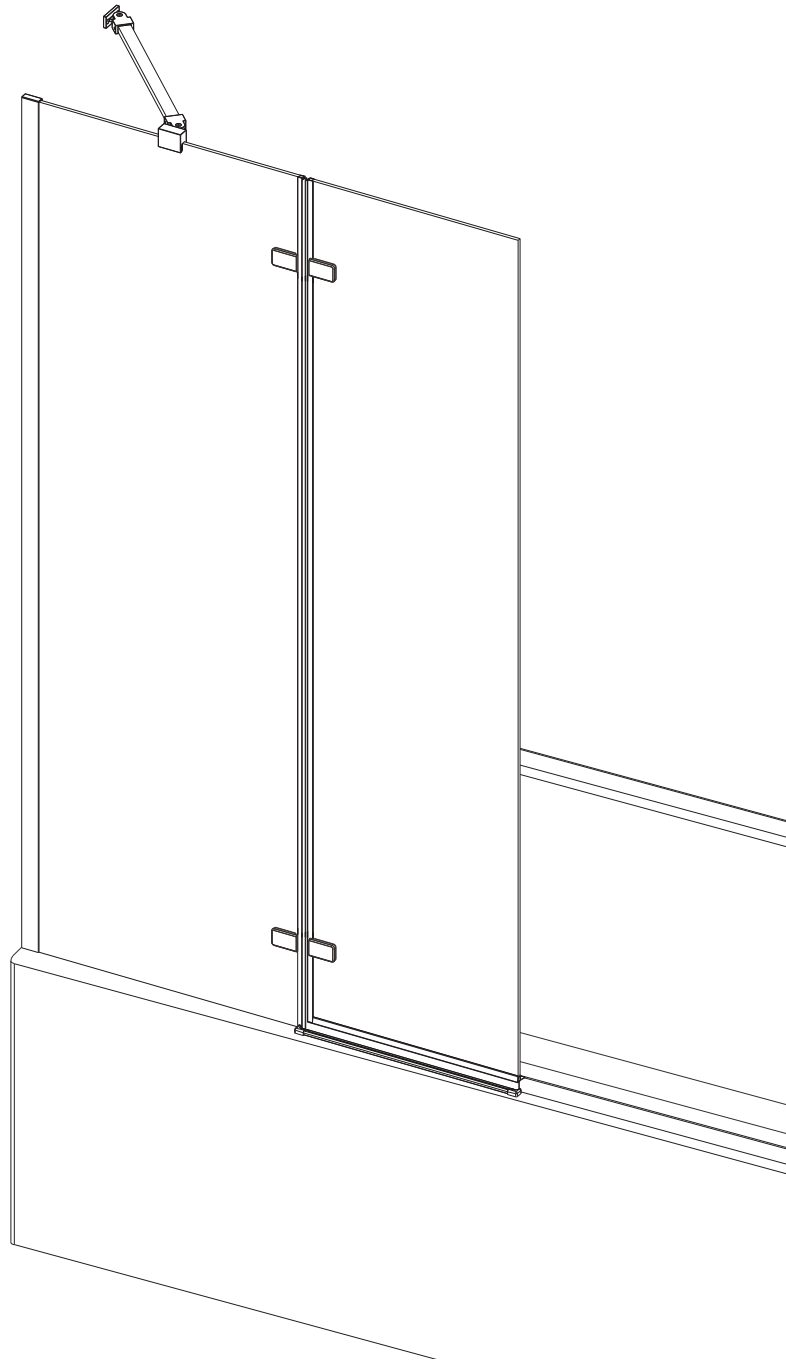
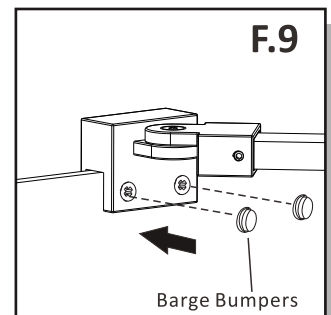
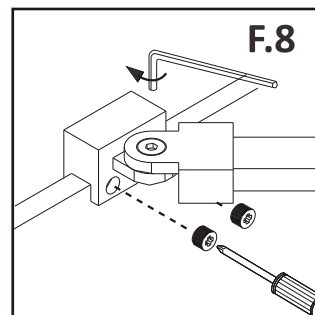
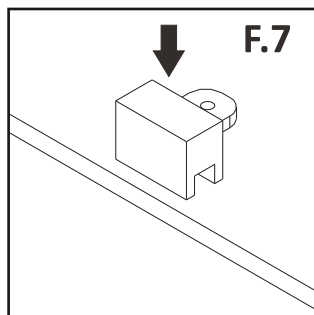
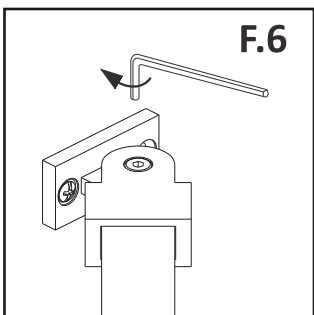
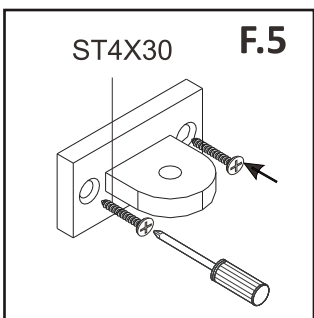
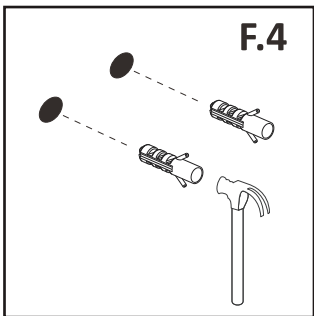
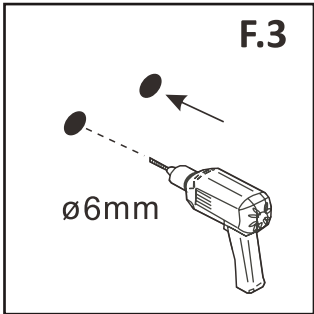
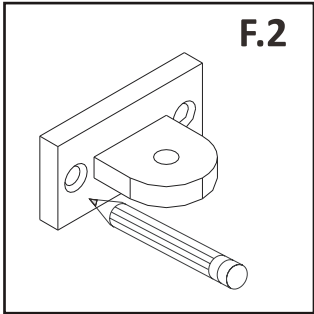
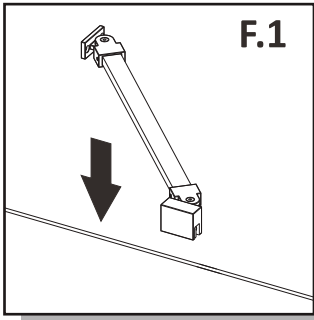
Assembling the seal first, and fitting the hinges.
Installing the moving panel and fitting hinge caps.
Before final tightening of the hinge screws make sure the 2nd glass panel is pushed towards the first panel.

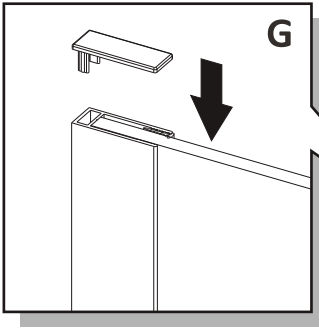
Step E

Fitting the bottom seal, the drip strip.

Step F

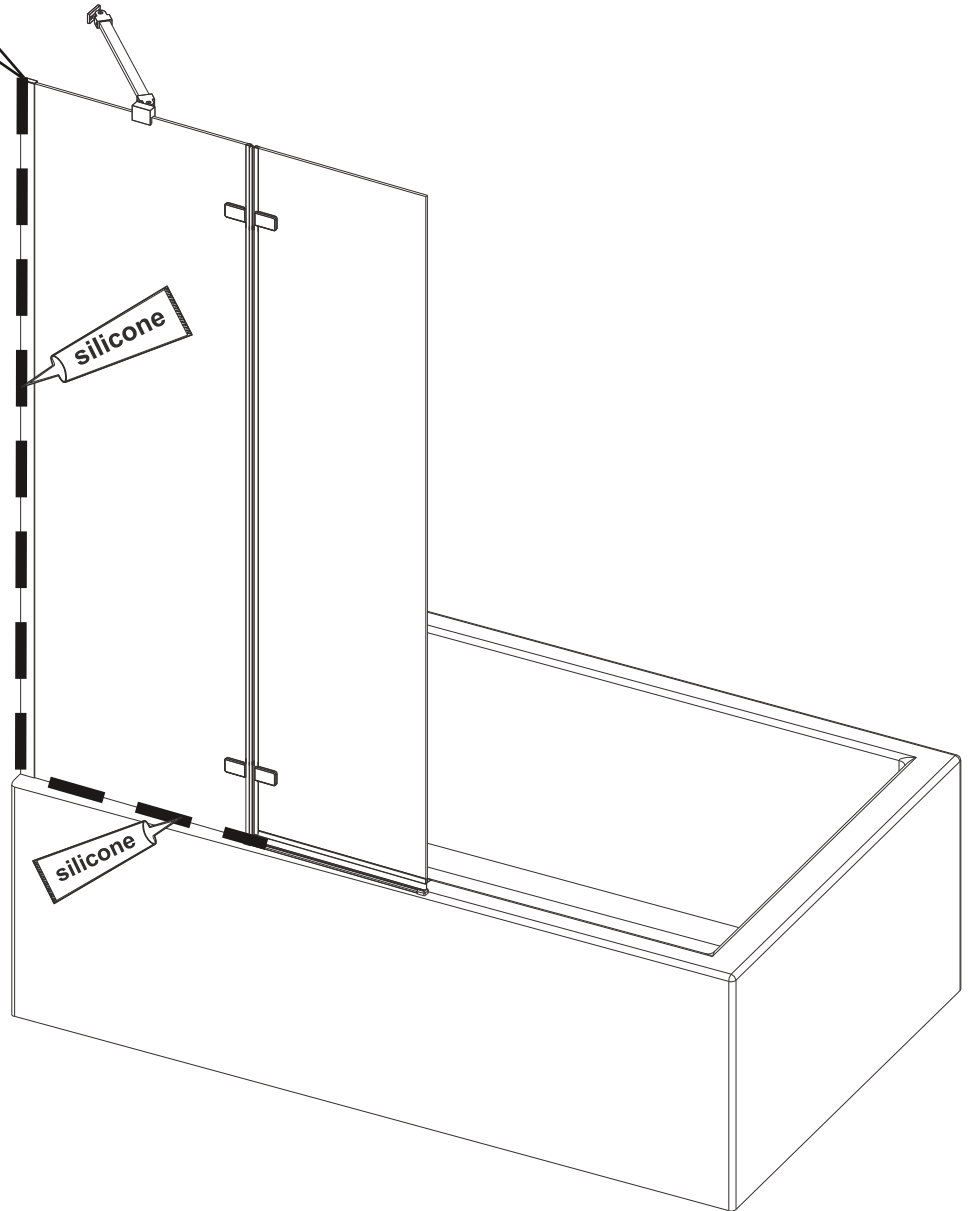
Fitting the top bar.





Step G

Fitting the cover caps.



DO NOT USE THE ENCLOSURE FOR 24 HOURS AFTER SEALING



Step H

Applying Silicone Sealant And Cleaning

Seal from the top of the wall channel to the bottom on the **Outside** between the wall channel and the wall, and between the bottom profile and shower tray as shown. Wash down with clean warm water and a soft clean cloth or sponge. Please do not use bleach, alkaline or acid-based, aggressive or abrasive cleaning products.