

PRODUCT DATA SHEET

Round Riser Rail Kit

Product Code: RISERKIT002L



SCUDO
BEAUTIFUL BATHROOMS

0330 124 7290

sales@scudo.co.uk - www.scudo.co.uk

Scudo is the trading name of Harrison Bathrooms Ltd. Whilst we endeavour to ensure that the product information is accurate we accept no liability for any information given. All images are for illustration purposes only. Product images and specification are subject to change. Measurement are in millimetres and are nominal.

Product Measurements

Product Weight:	0.57kg
Product Width:	117mm
Product Height:	705mm
Product Depth:	77.5mm
Product Length:	1500mm

Product Transportation

Barcode:	5060500640446
Country of Origin:	China
Comodity Code:	3924900000

Primary Packed Measurements

Packaged Weight:	0.77kg
Packaged Length:	610mm
Packaged Width:	150mm
Packaged Height:	75mm

Packaging Weight

Card:	0.109kg
Plastic:	0.01kg

General Information

Construction Material:	Stainless Steel/Plastic
Installation Type:	Wall Mounted
Colour / Finish:	Chrome

Shower Specification

Anti-Scald:	No
Shower Diverter Functions:	N/A
Number of Outlets:	1
Thermo Temp Control:	N/A
Cool Touch:	No
Shower Handset Functions:	3
Minimum Working Pressure:	N/A
Maximum Working Pressure:	N/A
Shape:	Round
Pipe Centre:	N/A
Inlet Connection:	1/2 BSP
Outlet Connection:	1/2 BSP
Adjustable:	Yes
Adjustment:	580mm
Handle Type:	N/A

Flow Rates

0.2bar (l/min)	N/A
0.5bar (l/min)	N/A
1bar (l/min)	N/A
2bar (l/min)	N/A
3bar (l/min)	N/A

Compliance DOP

N/A

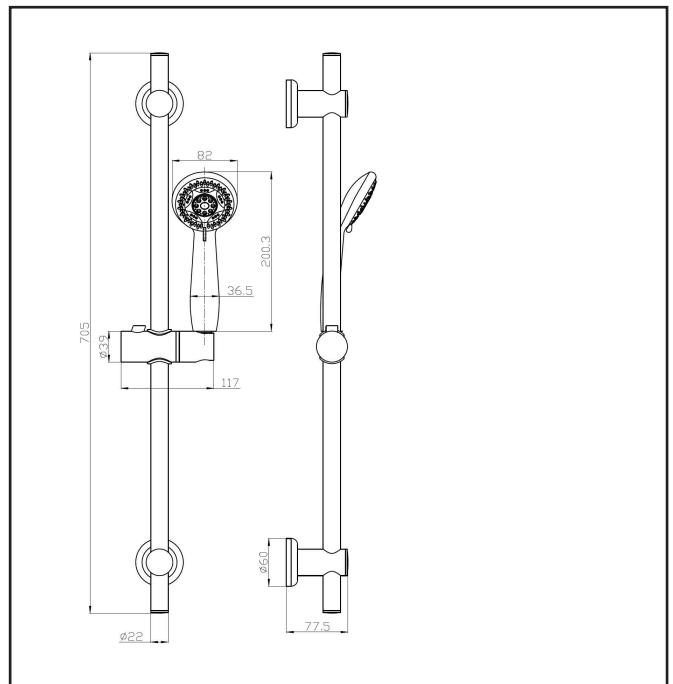
Spares

spares@harrisonbathrooms.com

Tap Attributes

Tap Type Description:	Wall Mounted Riser
Includes Waste:	N/A
Valve / Cartridge Type:	N/A

For Part G Building regulations, compliance see flow regulator section of spec binder.



Dimensions

(measurements in mm)



LIFETIME GUARANTEE

We are confident in our products and we want our customer to be, we proudly give a lifetime guarantee on our taps and showers, further details can be found on our website