

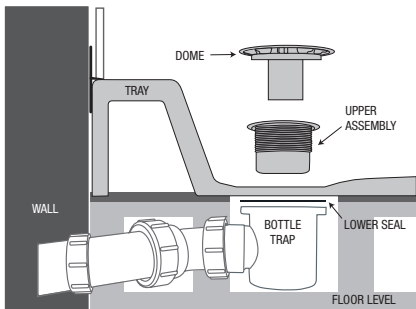
90mm Shower Tray Waste Installation and Assembly Instructions

- 1 Gently pull the Dome from the bottle trap.
- 2 Unscrew the Upper Assembly from the bottle trap.
- 3 Reassemble on shower tray using a suitable silicone sealant on all surfaces against the tray.

NB:If Supplied, The Upper Seal Not Required

With all plumbing attached, check for water tightness and adequate flow before completing shower tray installation. Do not proceed if not satisfied.

To clean gently pull the Dome or Grille from the bottle trap and remove upper assembly.



05/20SD

Customer Care: 0845 5052211
Monday - Friday 9am-5pm