

Ceiling Post

ASSEMBLY GUIDE

IMPORTANT

- 1.. The cubicle can be constructed either way up, for left or right hand opening.
- 2.. These instructions and list of parts assume that installation is done against solid or tiled walls. Hollow or "Stud - partition" walls will require alternative fixings. Please consult a hardware supplier for the correct type. It may also be necessary to consult your tiling supplier about the correct method for drilling your tiles.
- 3.. Please check this product for damage prior to starting the installation. No claims can be made after the products have been fitted, or after fitting has commenced.
- 4.. This is a 2 person installation.
- 5.. Please note the minimum and maximum adjustment for this product are based on perfectly plumb walls.

Tools Required *Please note hand tools **NOT** supplied.*



Drill



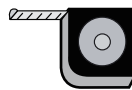
7mm Masonry Drill
3.2mm HSS Drill



Spirit Level



Pencil



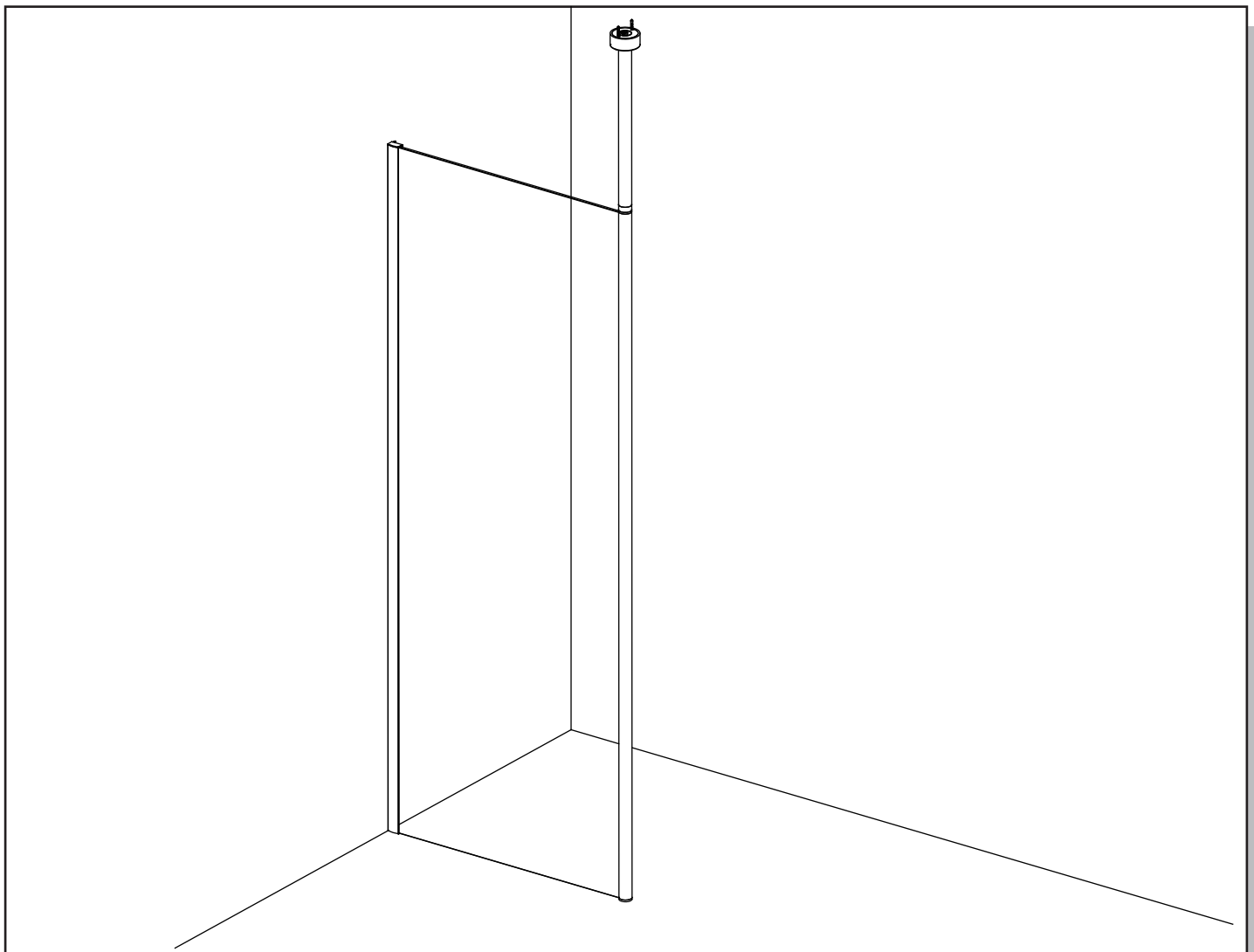
Tape Measure



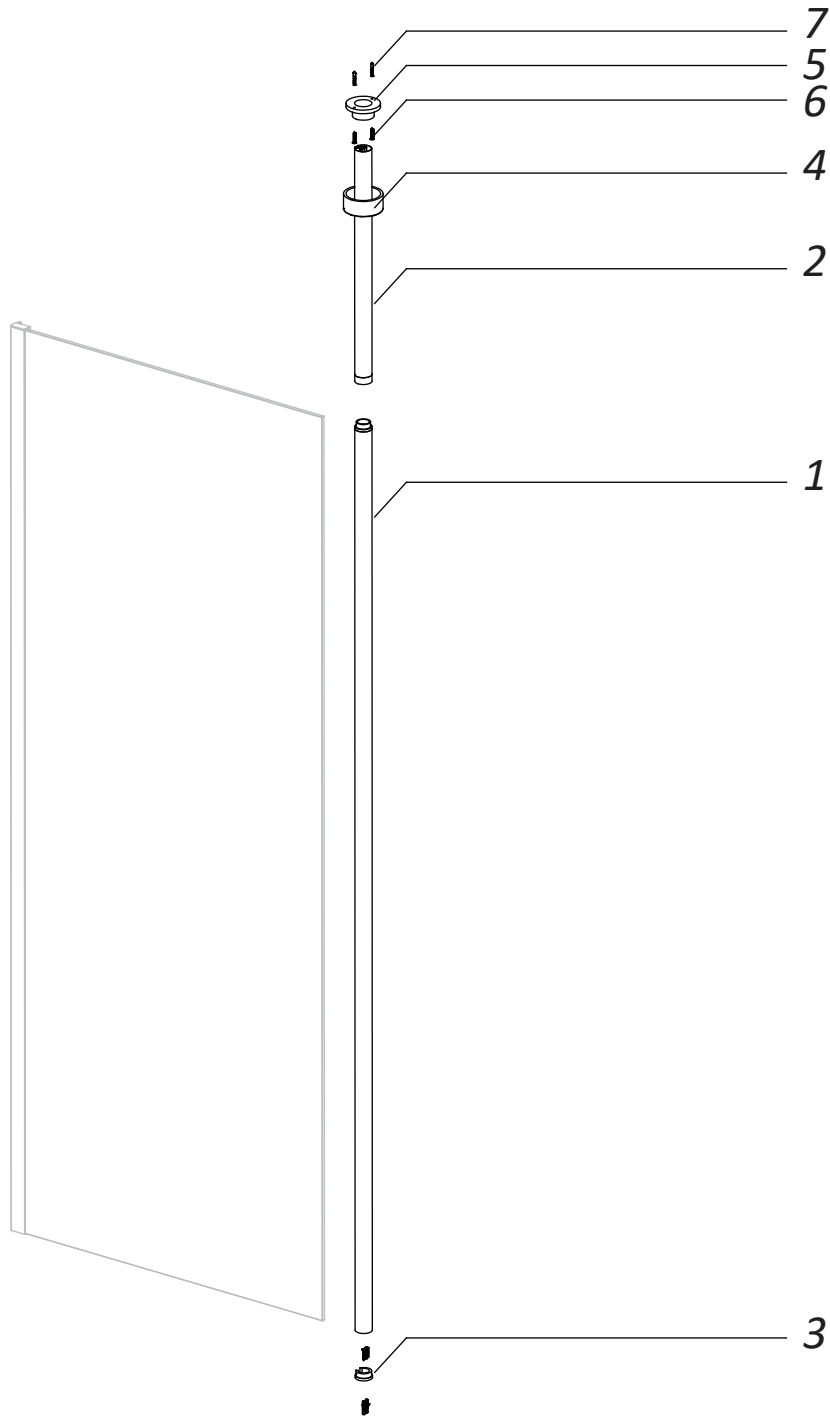
PH2 TYPE
Screwdriver



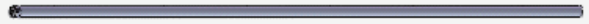







Sealant Gun

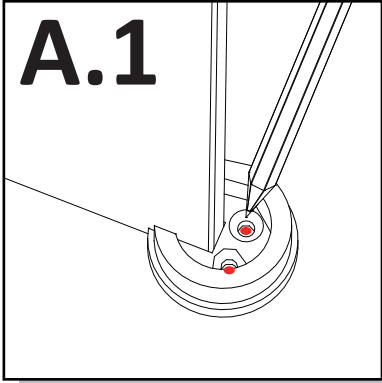
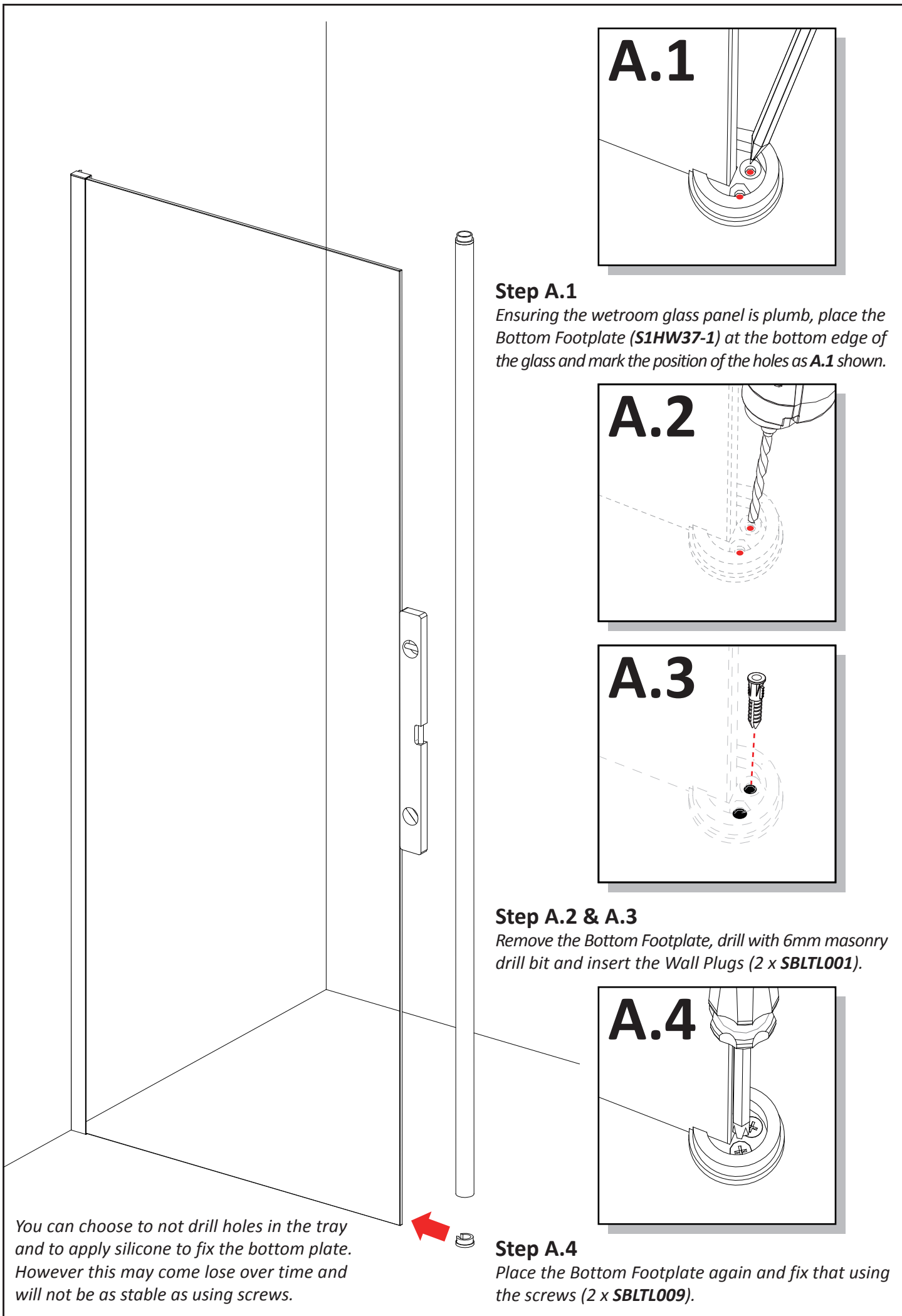


EXPLODED VIEW AND PARTS LIST



Part List

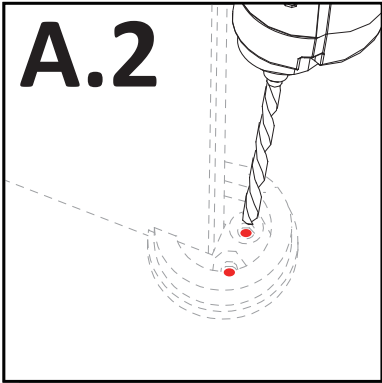
SN	Code	Description	Qty	Image
1	ALU14947-1	Long Ceiling Post	1	
2	ALU14947-2	Short Ceiling Post	1	
3	S1HW37-1	Bottom Footplate	1	
4	S1HW37-2	Fixing Cover	1	
5	S1HW37-3	Ceiling Fixing	1	
6	SBLTL009	Countersunk Screw ST3.9×35	4	
7	SBLTL001	Wall Plug Ø6×30	4	
8	SBLTL019	M5 Allen Hex Key	1	



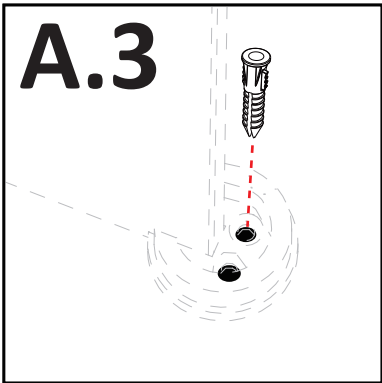
A.1

Step A.1

Ensuring the wetroom glass panel is plumb, place the Bottom Footplate (S1HW37-1) at the bottom edge of the glass and mark the position of the holes as A.1 shown.



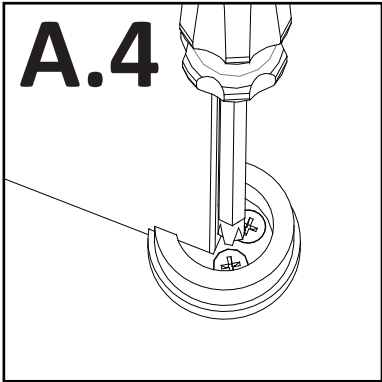
A.2



A.3

Step A.2 & A.3

Remove the Bottom Footplate, drill with 6mm masonry drill bit and insert the Wall Plugs (2 x SBLTL001).



A.4

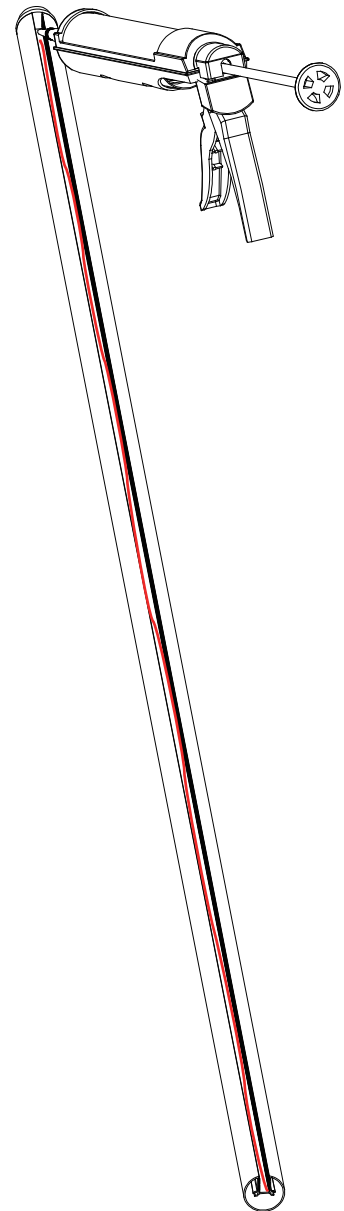
Step A.4

Place the Bottom Footplate again and fix that using the screws (2 x SBLTL009).

You can choose to not drill holes in the tray and to apply silicone to fix the bottom plate. However this may come lose over time and will not be as stable as using screws.

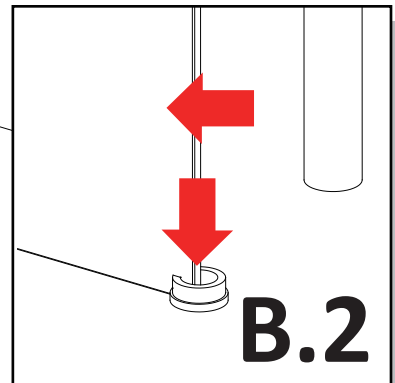
Please apply a few pieces of tape over the post and onto the glass to make sure the post cannot move as the silicone is setting. Make sure the tape you use will not leave a residue once removed"

B.1



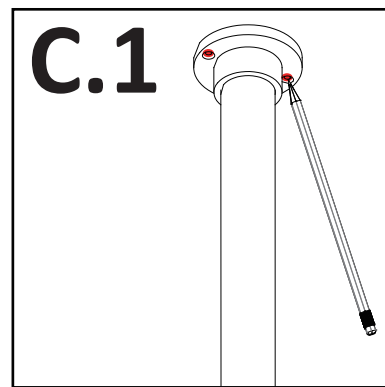
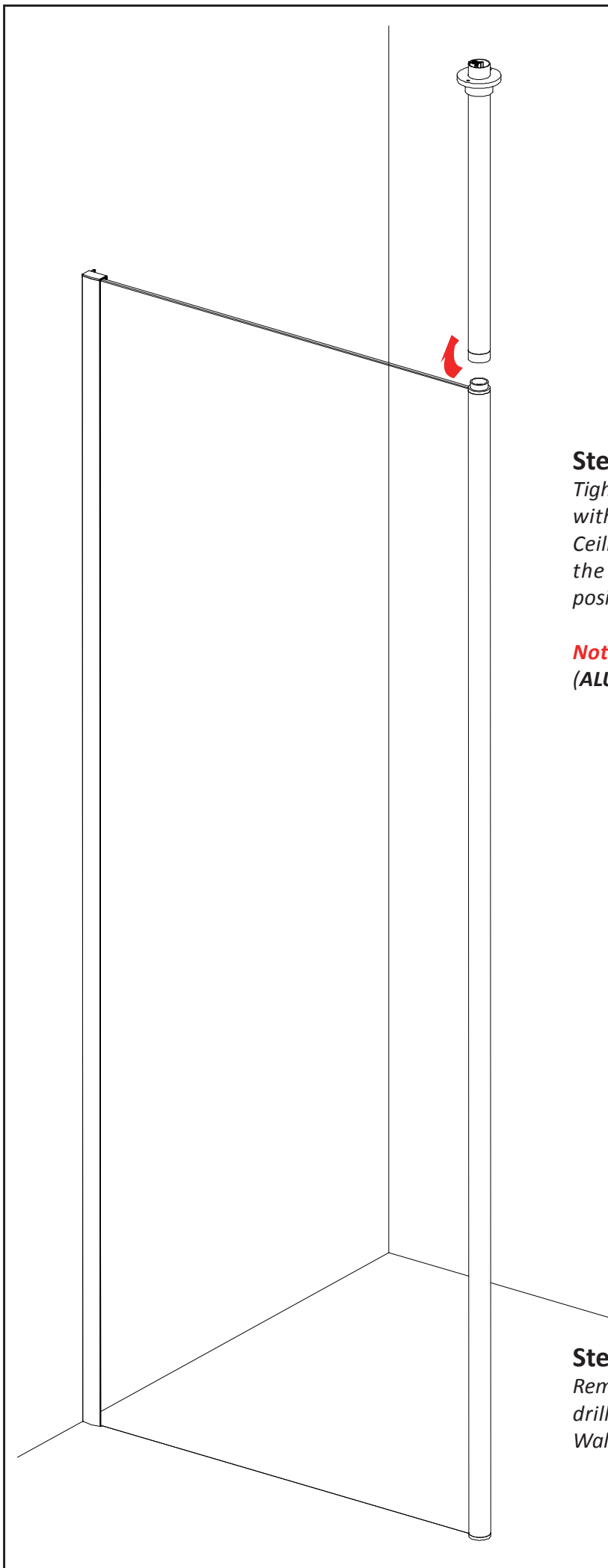
Step B.1

Apply the silicone into the gap of the Long Ceiling Post (ALU14947-1)



Step B.2

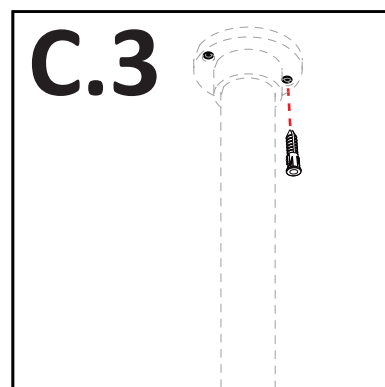
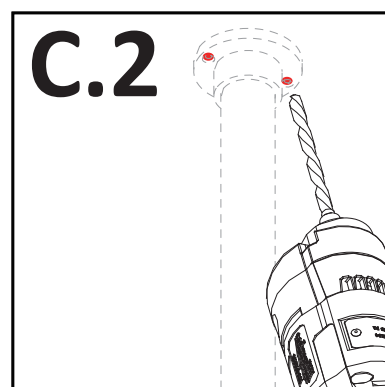
Push the Ceiling Post to the edge of the glass and fix with the Bottom Footplate.



Step C.1

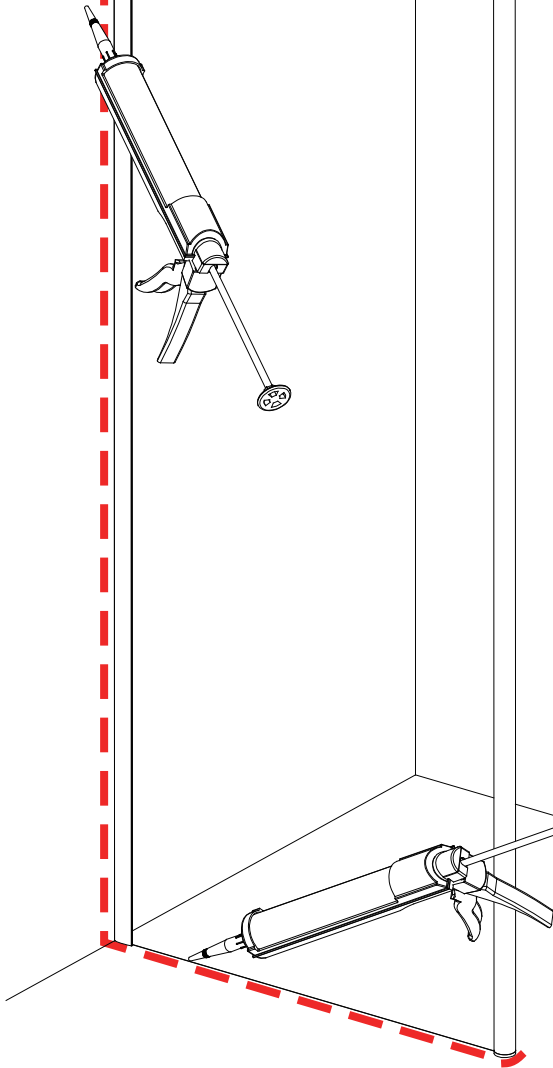
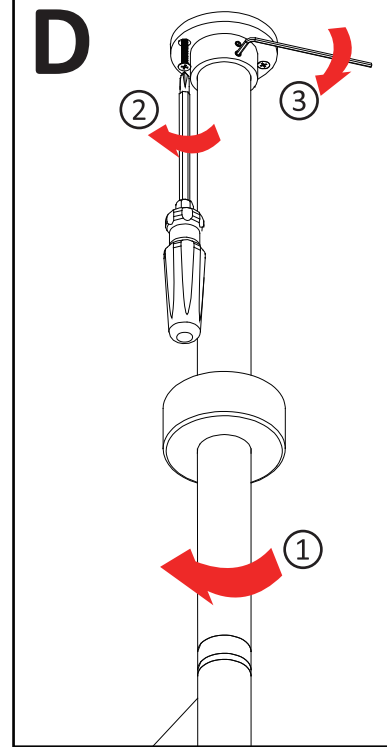
Tightening the Short Ceiling Post (**ALU14947-2**) with the Long Ceiling Post (**ALU14947-1**). The Ceiling Fixing (**S1HW37-3**) need to go through the Short Ceiling Post in advance. mark the position of the holes as **C.1** shown.

Note: You may need cut the Short Ceiling Post (**ALU14947-2**) in correct length.

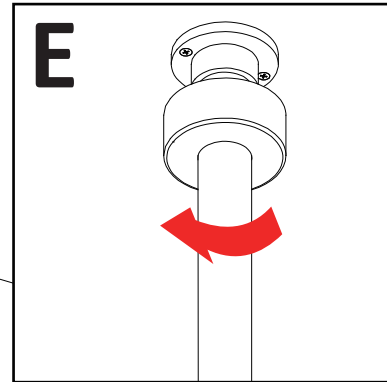


Step C.2 & C3

Remove the Short Ceiling Post and Ceiling Fixing, drill with 6mm masonry drill bit and insert the Wall Plug (2 x **SBLTL001**).

F**D****Step D**

Tightening the Short Ceiling Post with the Long Ceiling Post again. The Ceiling Fixing (S1HW37-3) and the Fixing Cover (S1HW37-2) need go through the Short Ceiling Post in advance as shown. Fix the Ceiling Fixing using the screws (2 x SBLTL009). Tightening the grub screws using the Allen Hex Key (SBLTL019).

E**Step E**

Tightening the Fixing Cover (S1HW37-2).

24 HRS

DO NOT USE THE ENCLOSURE FOR 24 HOURS AFTER SEALING

**Step F****Applying Silicone Sealant And Cleaning**

Seal from the top of the wall channel to the bottom on the **Outside** between the wall channel and the wall.

Wash down with clean warm water and a soft clean cloth or sponge. Please do not use bleach, alkaline or acid-based, aggressive or abrasive cleaning products.