

# PRODUCT DATA SHEET

## S8 Support Post

Product Code: SCUDPOST



**SCUDO**  
BEAUTIFUL BATHROOMS

0330 124 7290

[sales@scudo.co.uk](mailto:sales@scudo.co.uk) - [www.scudo.co.uk](http://www.scudo.co.uk)

Scudo is the trading name of Harrison Bathrooms Ltd. Whilst we endeavour to ensure that the product information is accurate we accept no liability for any information given. All images are for illustration purposes only. Product images and specification are subject to change. Measurement are in millimetres and are nominal.

### Product Measurements

Product Weight:	1.8kg
Product Width:	70mm
Product Height:	2000 - 2500mm
Product Depth:	70mm
Product Length:	N/A

### Product Transportation

Barcode:	5060500649326
Country of Origin:	China
Comodity Code:	7610100000

### Primary Packed Measurements

Packaged Weight:	2.5kg
Packaged Length:	2040mm
Packaged Width:	94mm
Packaged Height:	94mm

### Packaging Weight

Card:	0.544kg
Paper:	N/A
Wood:	N/A
Plastic:	0.057kg

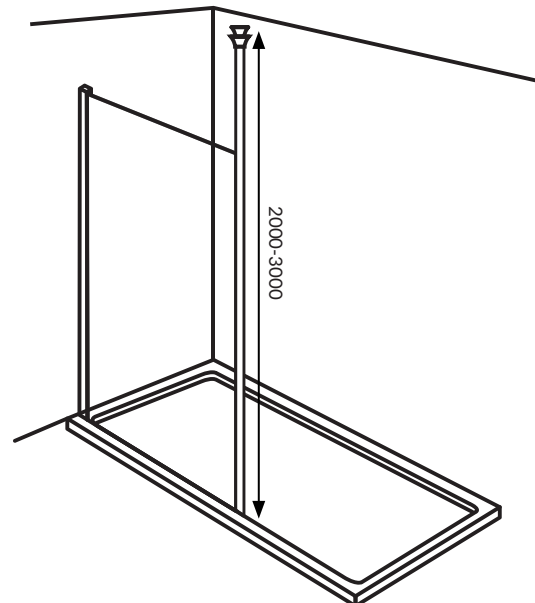
### General Information

Construction Material:	Aluminium
Installation Type:	Wall Mounted
Colour / Finish:	Chrome

### Enclosure Attributes

Adjustment:	N/A
Aqua-Shield:	N/A
Hinge Type:	N/A
Door Type:	N/A
Frame Type:	N/A
Glass Type:	N/A
Radius:	N/A
Entry Width:	N/A
Door In Swing:	N/A
Door Out Swing:	N/A
Enclosure Shape:	N/A
Glass Thickness:	N/A
Profile Finish/Colour:	Chrome
Profile Material:	Aluminium

### Compliance DOP



**Dimensions**  
(measurements in mm)



#### LIFETIME GUARANTEE

We are confident in our products and we want our customer to be, we proudly give a lifetime guarantee on our taps and showers, further details can be found on our website