

SM 1/2 C

SMILE Tap Range Smile 1/2 Chrome Basin Taps Chrome



Features:

- Long life and easy to use 1/4 turn ceramic disc valves
- Metal back nuts for added durability

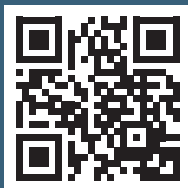
Product Certifications:



WRAS Cert. Number: 2104903
WRAS Expiry Date: 30/04/2026



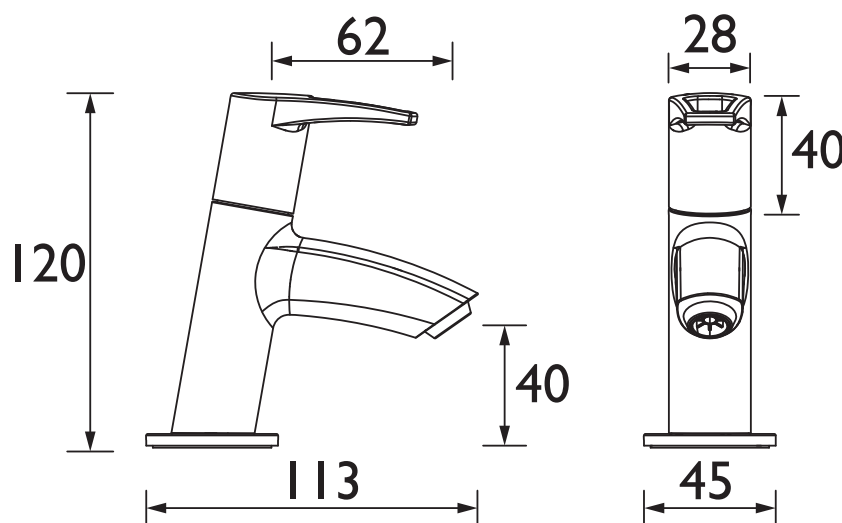
For more products, visit our website:
<http://www.bristan.com>



Specification

Product Type:	Bathroom taps
Main Construction Material:	Brass
Mount Type:	Deck Mounted
Handle Type:	Lever Handles
Connection Inlet:	1/2" BSP
Connection Outlet:	M16 Aerator
Number of Tap Holes:	2
Valve/Cartridge Type:	1/2" Ceramic Disc Valve
Plumbing System Requirements:	Suitable for all plumbing systems
Minimum Dynamic Pressure (bar):	0.2 bar
Maximum Dynamic Pressure (bar):	5.0 bar
Maximum Hot Water Temperature °C:	65°C
Maximum Static Pressure (bar):	10 bar
Isolation Included:	No

Dimensions (measurements in mm)



Flow Rates (l/min)

System Pressure (bar)	0.2	0.5	1	2	3	5
SM 1/2 C (Cold)	9.1	14.4	20.4	28.8	35.3	45.6
SM 1/2 C (Hot)	9.1	14.4	20.4	28.8	35.3	45.6

TECHNICAL DATA SHEET



BRISTAN

D5