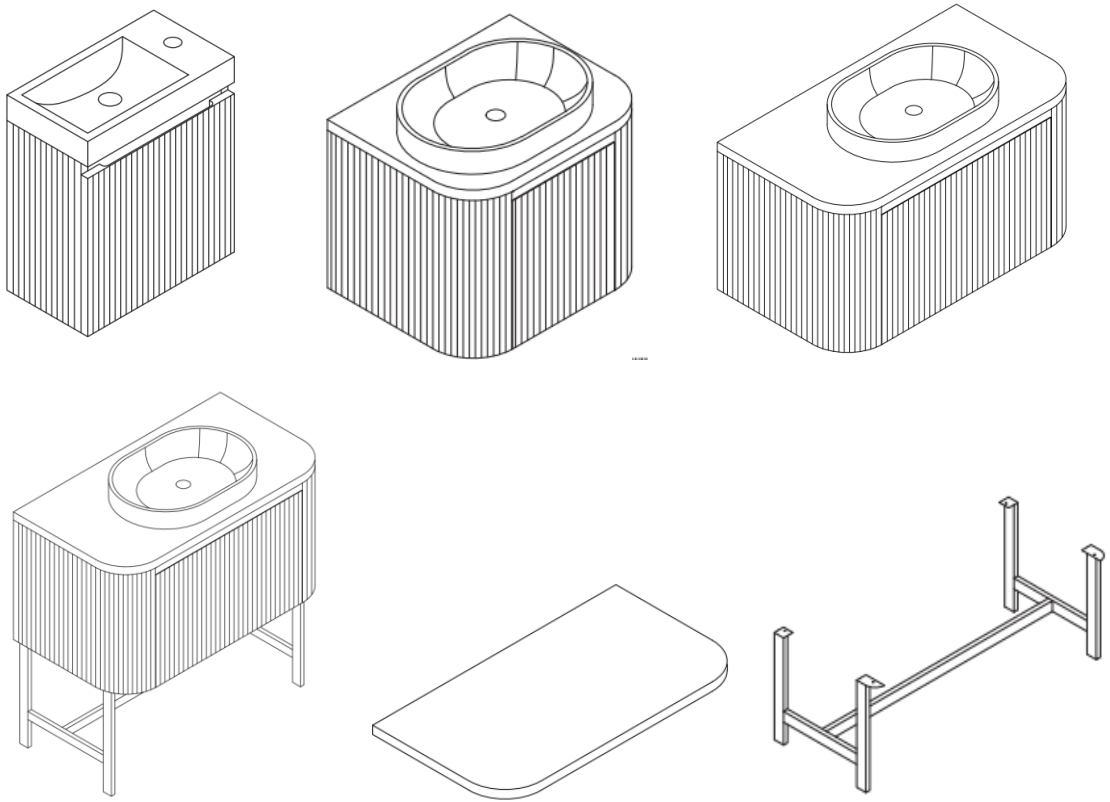
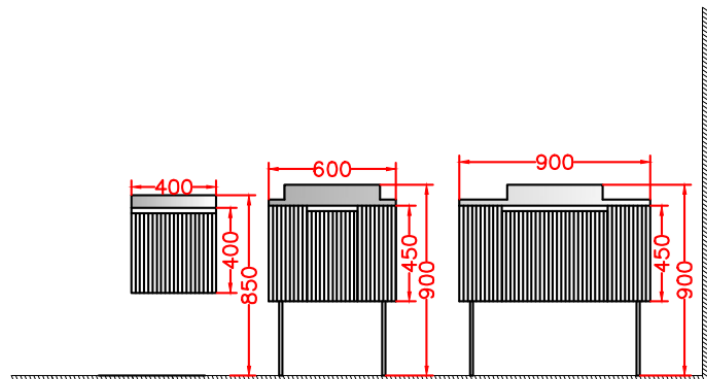


# LINEA Instructions of assembly



## Tool Needed

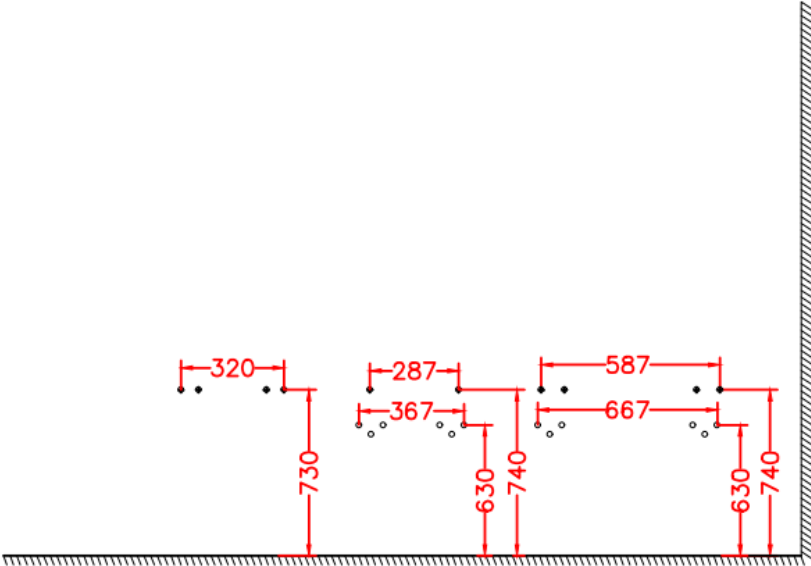
1. Tape measure(Max 3 Metre)
2. Spirit level
3. Cross head Screw driver
4. Electric drill
5. Hammer



# STEP 1)

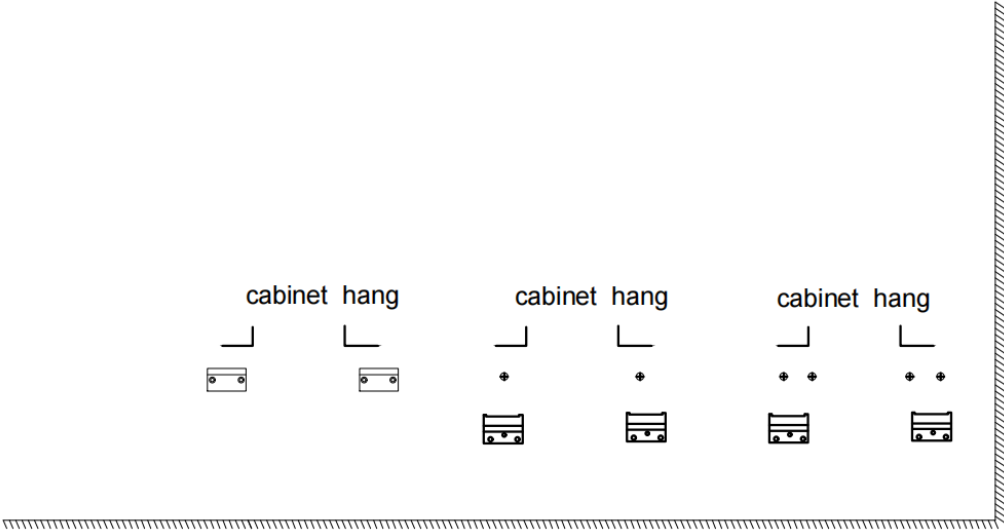
Mark the distance with pencil on the wall as the drawing shows.

Then drill holes on the wall with Electric drill.



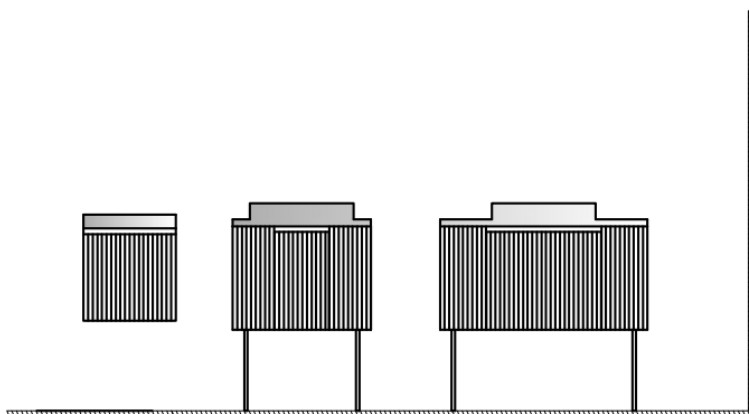
# STEP 2)

Fix aluminium alloy hanger onto the wall.



### STEP 3)

Hang cabinet unit on the wall and adjust perfectly



### STEP 4)

Put the basin or worktop on the cabinet.

Add with silicon.

