

VAL2 BRDSM C 6 CD

VALUE Tap Range Lever Bridge Deck Sink Mixer Chrome With 6 Levers & Ceramic Disc Valves



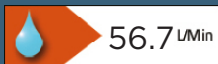
Features:

- Long life and easy to use 1/4 turn ceramic disc valves
- Metal back nuts for added durability
- Supplied with 6" (152mm) metal lever handles
- Dual flow prevents hot water entering the mains supply

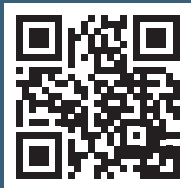
Product Certifications:



WRAS Cert. Number: 2103901
WRAS Expiry Date: 31/03/2026



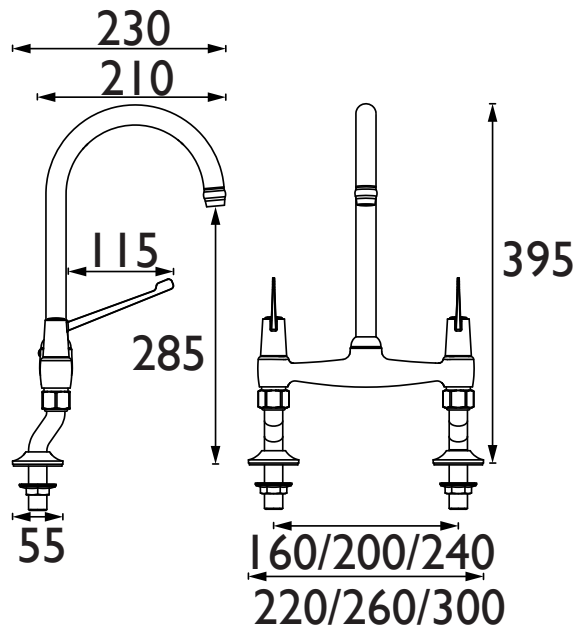
For more products, visit our website:
<http://www.bristan.com>



Specification

Product Type:	Taps
Main Construction Material:	Brass
Mount Type:	Deck
Handle Type:	Lever
Connection Inlet:	1/2" BSP
Connection Outlet:	N/A
Number of Tap Holes:	2
Valve/Cartridge Type:	1/2" Ceramic Disc Valve
Plumbing System Requirements:	Suitable for all plumbing systems
Minimum Dynamic Pressure:	0.2 bar
Maximum Dynamic Pressure:	5.0 bar
Maximum Hot Water Temperature: °C	65
Maximum Static Pressure: (bar)	10
Flow Type:	Dual
Isolation Included:	No
Check Valve Supplied:	No

Dimensions (measurements in mm)



Flow Rates (l/min)

System Pressure (bar)	0.2	0.5	1	2	3	5
Hot	5.4	9.6	13.9	20.0	24.5	31.9
Cold	7.0	12.6	18.3	26.3	32.3	41.7
Mixed	12.5	22.1	32.1	46.1	56.7	73.5

TECHNICAL
DATA
SHEET



BRISTAN