

VAL2 SNK C CD

VALUE Tap Range Lever Monobloc Sink Mixer Chrome With Ceramic Disc Valves



Features:

- Long life and easy to use 1/4 turn ceramic disc valves
- Metal fixing nut for added durability
- Supplied with 3" (76mm) metal lever handles
- Metal back nuts for added durability

Product Certifications:



WRAS Cert. Number: 2105902
WRAS Expiry Date: 31/05/2026



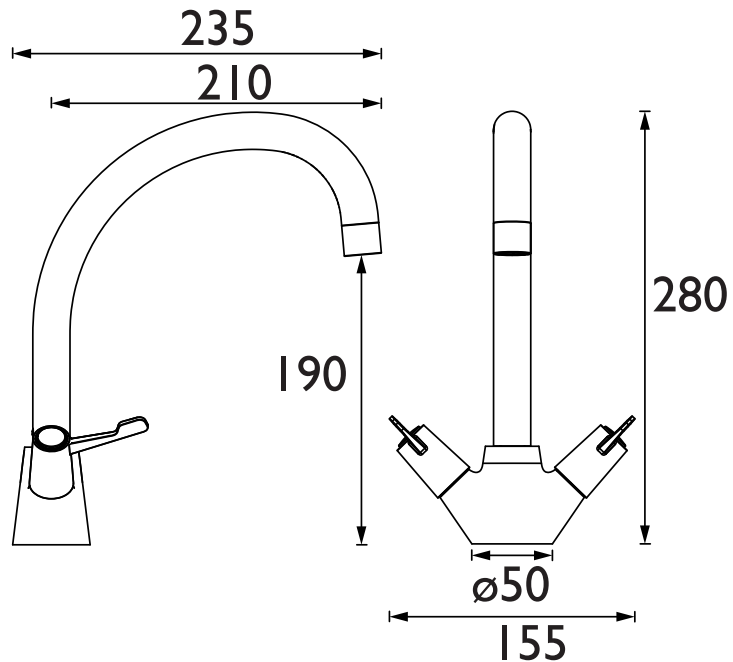
For more products, visit our website:
<http://www.bristan.com>



Specification

Product Type:	Kitchen Tap
Main Construction Material:	Brass
Mount Type:	Deck Mounted
Handle Type:	Lever Handles
Connection Inlet:	15mm Compression
Connection Outlet:	Flow Straightener
Number of Tap Holes:	1
Valve/Cartridge Type:	1/2" Ceramic Disc Valve - 1/4 Turn
Plumbing System Requirements:	Suitable for all plumbing systems
Minimum Dynamic Pressure:	0.2 bar
Maximum Dynamic Pressure:	5.0 bar
Maximum Hot Water Temperature: °C	65
Maximum Static Pressure: (bar)	10
Flow Type:	Single Flow
Isolation Included:	No
Check Valve Supplied:	No

Dimensions (measurements in mm)



Flow Rates (l/min)

System Pressure (bar)	0.2	0.5	1	2	3	5
Hot	5.5	10.0	14.5	20.7	25.5	33.1
Cold	5.3	9.7	14.2	20.3	25.0	32.3
Mixed	9.6	17.2	25.0	36.4	44.9	58.1

TECHNICAL DATA SHEET



BRISTAN