

W BASIN01 C

Wastes Traditional Slotted Basin Waste with Porcelain Plug Chrome



Features:

- Solid brass construction
- Metal back nut for added durability

Product Certifications:

Compliant to BS EN 274

Variant SKUs:

- W BASIN01 G
- W BASIN02 C

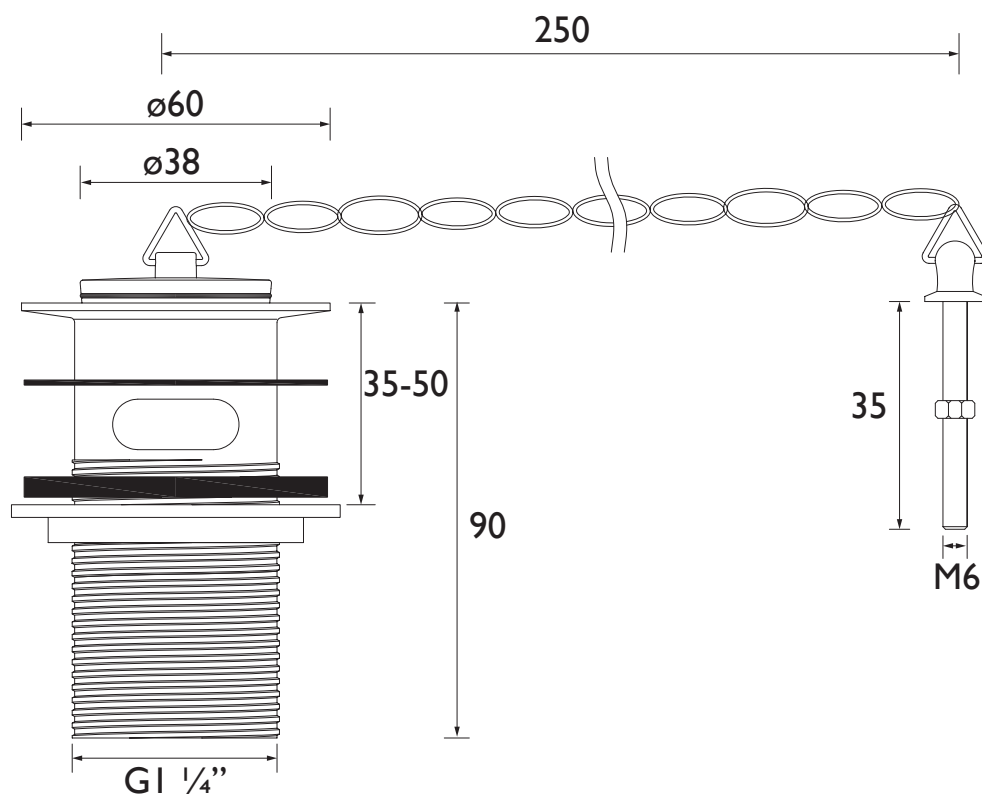
For more products, visit our website:
<http://www.bristan.com>



Specification

Contemporary or Traditional:	Traditional
Main Construction Material:	Brass
Connection Inlet:	G1 1/4"
Waste Flow Rate (litres per minute):	38.5
What's in the Box?:	1x Slotted Waste Body, 2x Rubber Washers, 1x Metal Backnut, 1x Overflow Screw, 1x Overflow Nut, 1x 250mm Link Chain, 1x Porcelain Plug

Dimensions (measurements in mm)



TECHNICAL DATA SHEET



BRISTAN

D3