

ZI SHXSMCTFF C

COOLTOUCH Shower Range Zing Safe Touch Bar Mixer with Fast Fit Connections and SM Kit Chrome



Specification	
Finish/Colour:	00 Chrome Plated
Main Construction Material:	Brass; ABS
No of Controls:	2
Shower Type:	Bar Shower
Shower Head Type:	Single Function Handset
Shower Kit:	Adjustable Riser
Valve/Cartridge Type:	3/4" Ceramic Disc Valve - 1/4 turn
Maximum Hot Water Supply Temperature °C:	60
Plumbing System Suitability:	Suitable for all plumbing systems, ideally balanced
Minimum Dynamic Pressure (bar):	0.2
Maximum Dynamic Pressure (bar):	5
Maximum Static Pressure (bar):	10
Connection Inlet:	15mm Compression
Connection Outlet:	G 1/2"
Isolation Valve Included:	N
Check Valve Included:	Y

Features:

- 15mm inlet connections
- Thermostatic cartridge with preset temperature stop at 38°C, can be over-riden to a maximum of 46°C
- Cold water feed surrounds the hot water to ensure the valve is safe to touch by all the family
- Includes 1.5m hose, rub-clean anti-limescale handset and hose retainer
- Supplied with a wall mount 10 fixing kit for easier retro installation

Product Certifications:



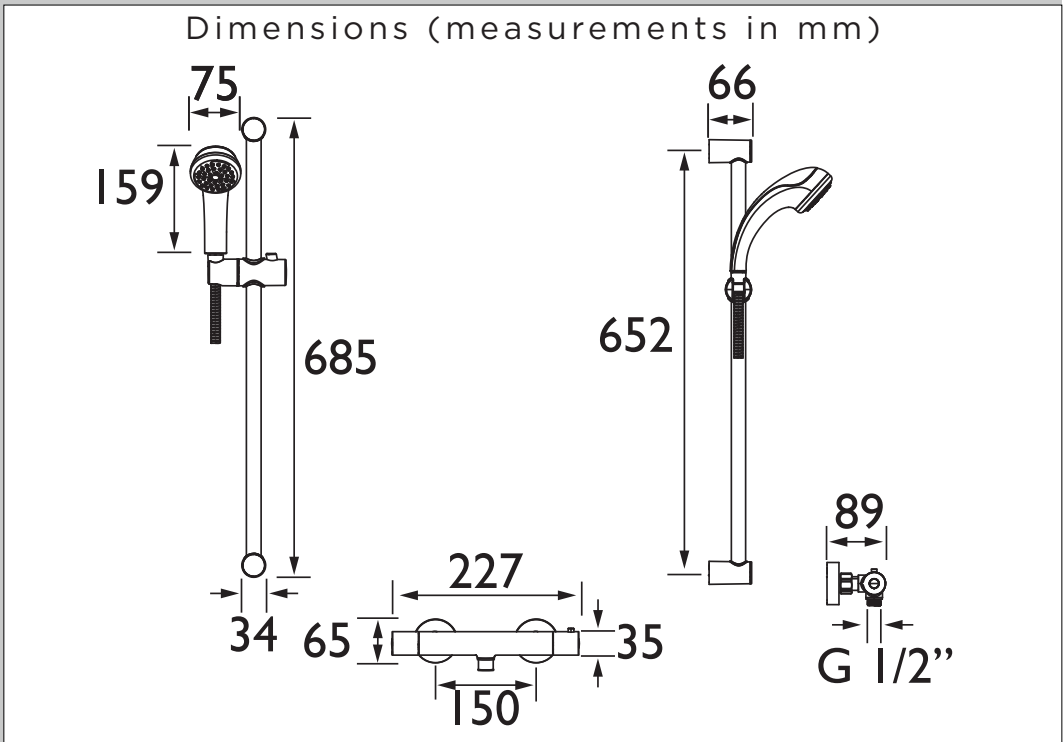
WRAS Certificate No: 2001912
WRAS Expiry Date: 31/01/2025



TMV2 Cert. Number: K-2310701
TMV2 Expiry Date: 02/10/2028



For more products, visit our website:
<http://www.bristan.com>



Flow Rates (l/min)						
System Pressure (bar)	0.2	0.5	1	2	3	5
Valve Only/Largest FR (mixed)	2.7	4.8	7.1	10.3	12.8	16.8
Through Handset (mixed)	2.7	4.8	7.1	10.3	12.8	16.8

TECHNICAL DATA SHEET



BRISTAN

D14