
BRISTAN

Installation Instructions and User Guide

Clicker Bath Waste
with Overflow

Models Covered:

W BATH03 C/BLK

**Please keep this booklet for future
reference.**

Installer, when you have read these
instructions please ensure you leave
them with the user.

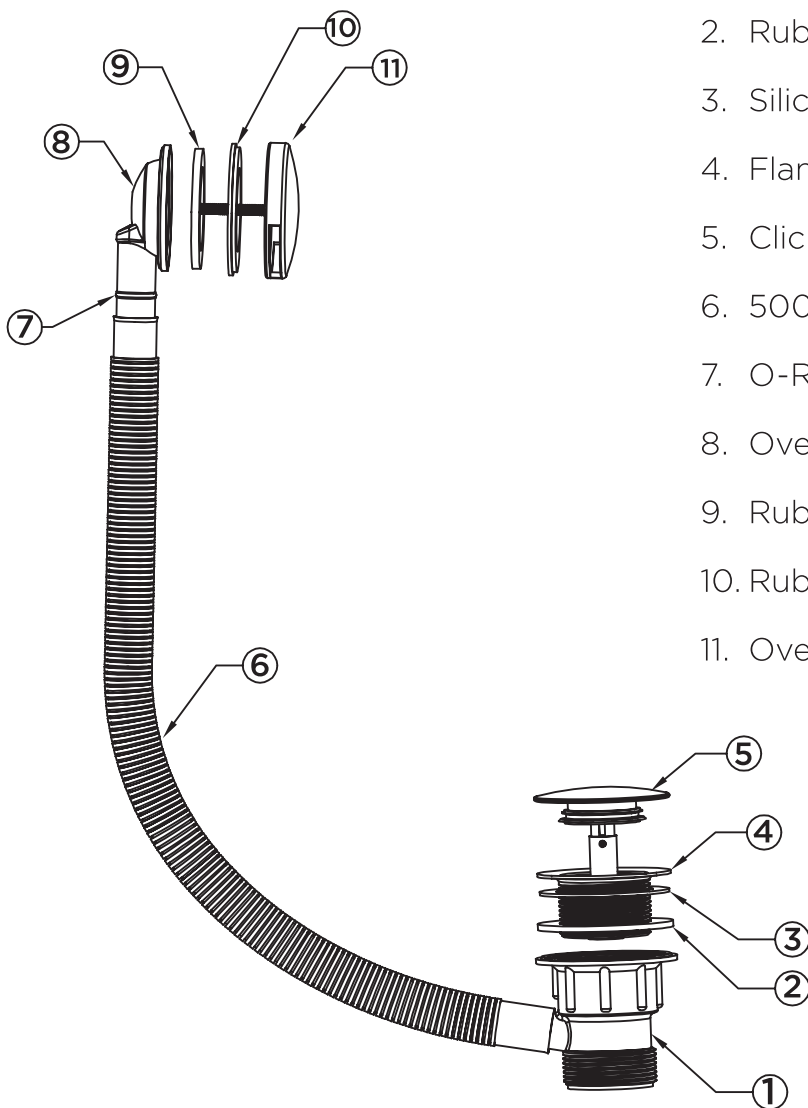
Introduction

Thank you for choosing Bristan, the UK's leading taps and showers expert. We have designed this product with your enjoyment in mind. To ensure that it works to its full potential, it needs to be fitted correctly. These fitting instructions have been created to give you all of the information you need and, if you need any further help, please do not hesitate to give us a call on 0330 026 6273.

Installation

Components -

1. Waste Body
2. Rubber Washer
3. Silicone Washer
4. Flange
5. Clicker Mechanism
6. 500mm Hose
7. O-Rings (2)
8. Overflow Body
9. Rubber Washer
10. Rubber Washer
11. Overflow Face



Installation

1. Identify all components are present prior to installation.
2. Place the waste body (1) and rubber washer (2) under the bath. Screw the flange (4) into the waste body (1) to secure, ensuring the silicone washer (3) is in place.
3. Push the clicker mechanism (5) into the flange (4). Test the mechanism by pressing down and pressing again for it to pop up.
4. Fit the overflow body (8) with a rubber washer (9) behind the bath. Secure in place by screwing the overflow face (11) onto the body, ensuring the other rubber washer (10) is in place to create a seal.
5. The hose (6) uses push-fit connections to secure in place. Push one end over the top of the overflow body (8) ensuring it goes over both O-Rings (7). Squeeze the other end of the hose to go inside the waste body (1) as far as possible.
6. Turn on the water supply and check all joints and connections for leaks.

General Cleaning

Bristan products are made from premium materials, with hand polishing and electroplated finishes.

Your waste should be regularly cleaned with warm water, a mild pH-neutral liquid soap, and polished with a soft cloth. Any residues from soap, toothpaste, shampoos and shower gels can cause blemishes if not rinsed off straight after use.

Household bleaches and cleaners contain harsh chemicals and may damage the surface finish. Avoid using abrasive cloths, scouring pads, scrub sponges, steel wool or anything similar.

Some surfaces such as nickel and pewter may be affected by the dye found in some cloths, so it is also important to avoid hanging cloths on surfaces.

Issue: D3

Part Number: FI W BATH03

BRISTAN

Bristan Group Ltd.

Birch Coppice Business Park

Dordon

Tamworth

Staffordshire

B78 1SG

Web: www.bristan.com

Email: enquire@bristan.com

A Masco Company

At Bristan, we want to make things as easy as possible for our customers. That's why we offer solid guarantees on all our products, effective from the date of purchase, to give you peace of mind.

To start your free guarantee simply scan the QR code and register your product. Alternatively visit www.bristan.com/register.

For any other queries, please call our Customer Service on 0330 026 6273 where our expert team of advisors will be able to offer you any help and advice.

For full guarantee terms and conditions visit www.bristan.com/guarantees.



We Know & We Care