

N 1/2 C CD

1901 Tap Range 1901 Basin Taps Chrome with Ceramic Disc Valves



Features:

- Long life and easy to use 1/4 turn ceramic disc valves
- Metal handles
- Metal back nuts for added durability

Product Certifications:



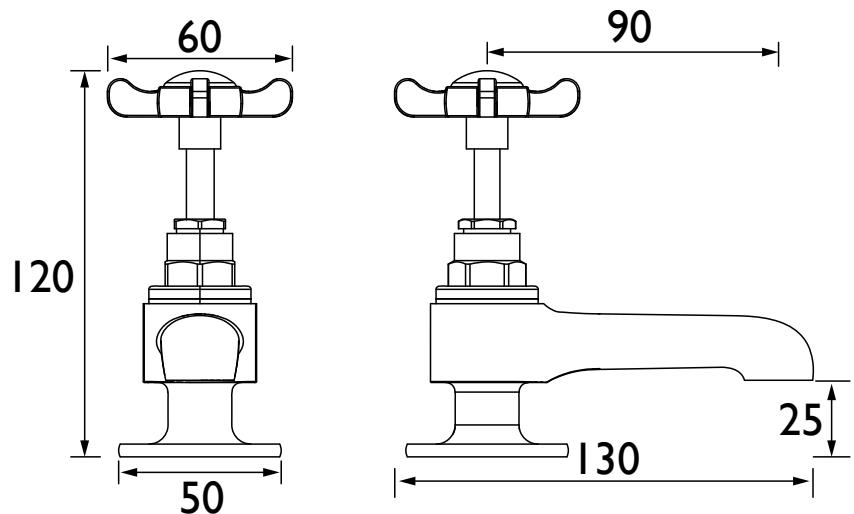
For more products, visit our website:
<http://www.bristan.com>



Specification

Product Type:	Bathroom Taps
Main Construction Material:	Brass
Mount Type:	Deck
Handle Type:	Crosshead
Connection Inlet:	1/2" BSP
Connection Outlet:	Open
Number of Tap Holes:	2
Valve/Cartridge Type:	1/2" Ceramic Disc Valve - 1/4 turn
Plumbing System Requirements:	Suitable for all plumbing systems
Minimum Dynamic Pressure (bar):	0.2 bar
Maximum Dynamic Pressure (bar):	5 bar
Maximum Hot Water Temperature °C:	65°C
Maximum Static Pressure (bar):	10 bar
Isolation Included:	No

Dimensions (measurements in mm)



Flow Rates (l/min)

System Pressure (bar)	0.2	0.5	1	2	3	5
N 1/2 C CD (Cold)	9.0	14.3	20.2	28.6	35.0	45.2
N 1/2 C CD (Hot)	8.2	13.9	20.2	28.8	35.2	45.4

TECHNICAL DATA SHEET



BRISTAN

D6